



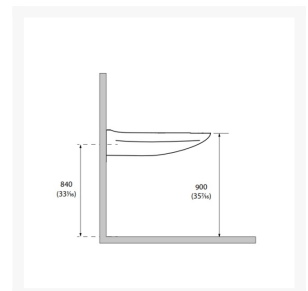
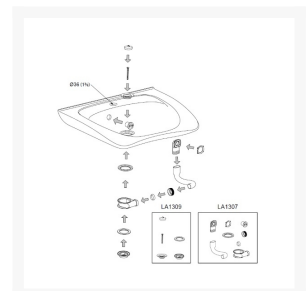
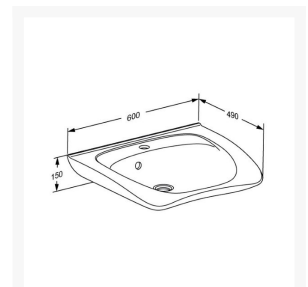
Independent 4 Life

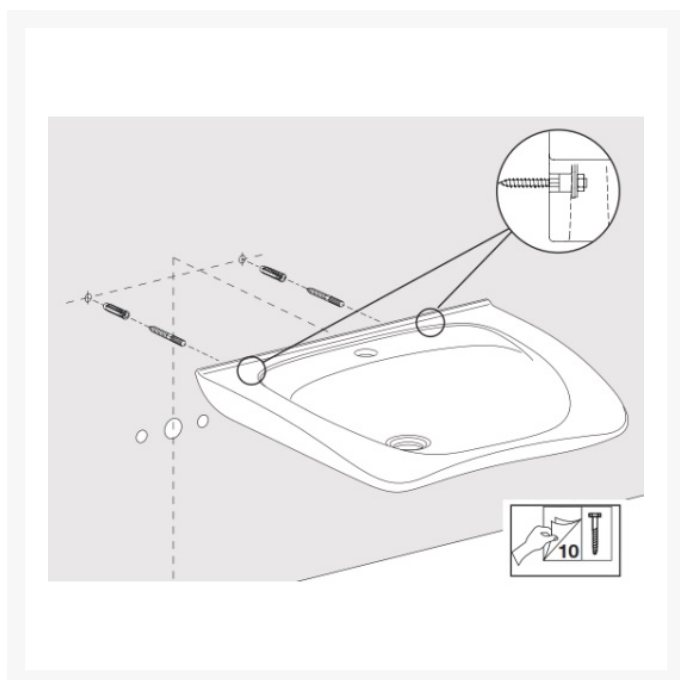
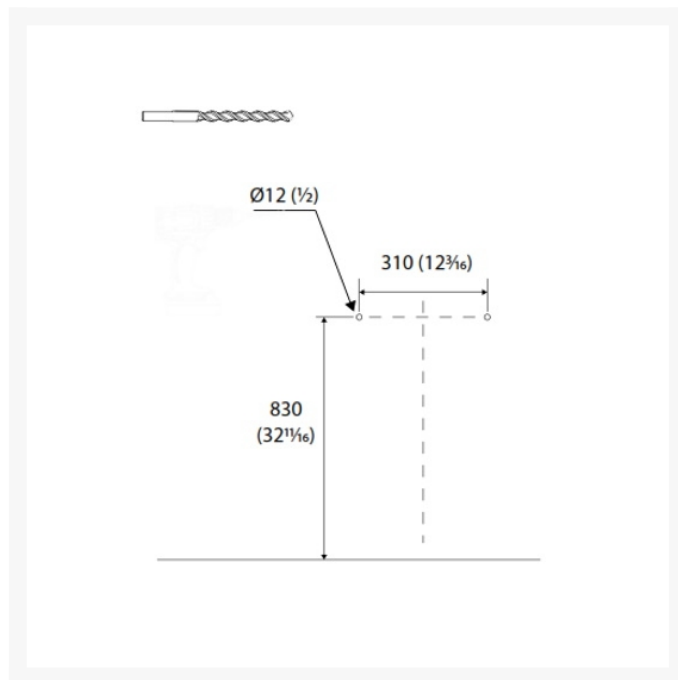
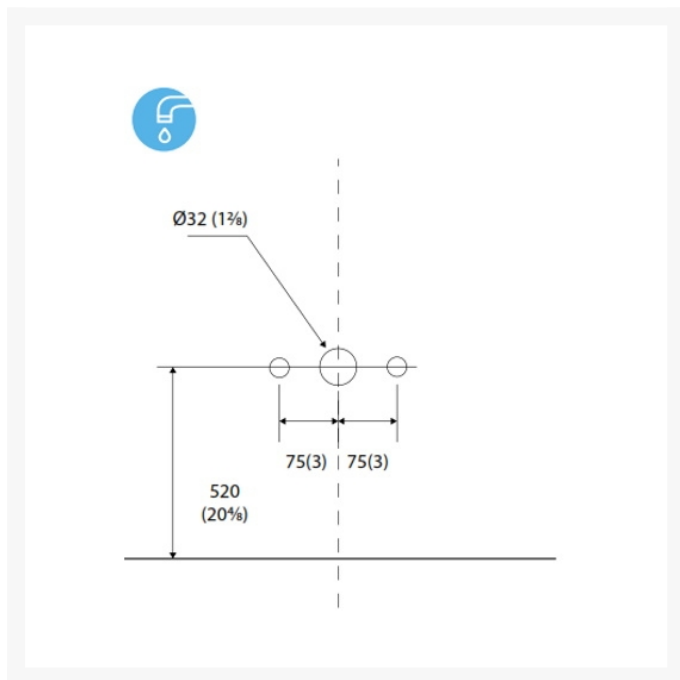
Pressalit MATRIX CURVE II Ergonomic Washbasin, with Overflow - 600x487mm

£456.30 Inc. VAT

Product Code: R2052000

Product Images





Description

Ceramic wash basin by Pressalit with ergonomic design.

The curved shape of the basin makes it suitable for wheelchair and seated users, as well as standing users.

This version of the Matrix New Curve II is supplied with overflow and tap hole.

Key benefits:

- Ceramic basin with curved ergonomic design
- Includes overflow and $\text{Ø}36\text{mm}$ tap hole
- Supplied with drain fitting, overflow and waste plug

- Can be mounted on height adjustable brackets from the Pressalit Value, Plus and Select ranges
- Can be wall mounted
- Easy to clean

Ergonomic design

- Concave front edge stabilises a standing as well as a seated user
- Rounded shapes are nice to grip and lean against
- Design of the corners leaves space and supports the elbows in the basin
- Flat bottom leaves space for the legs of a seated user

Cleaning instructions:

- Clean with hot water or a mild soapy cleaning agent
- Do not use corrosive cleaners
- For surface disinfection, chlorine-based agents can be used if diluted according to specifications

Technical details:

- Width (mm): 600
- Front-to-back depth (mm): 487
- Overall height (mm): 150
- Centre-to-centre of bolt fixings (mm): 280
- Tap hole diameter (mm): 36
- Weight (kg): 12.5
- Max. load (kg): 150
- Colour: White
- Materials: Ceramic

Warranty:

- 5 year manufacturer warranty

Additional Information

Manufacturer	Pressalit
Range / Model - Type	VALUE / R1210 - Man., VALUE / R1214 - Man., PLUS / R4550 - Man., PLUS / R4580 - Man., PLUS / R4650 - Gas, PLUS / R4680 - Gas, PLUS / R4681 - Elec., PLUS / R4682 - Elec., PLUS / R4750 - Elec., PLUS / R4751 - Elec., PLUS / R4752 - Elec., PLUS / R4780 - Elec., SELECT / R4950 - Elec., SELECT / R4951 - Elec., SELECT / R4952 - Elec., SELECT / R4953 - Elec.
Compatible Height Adj. Bracket	Pressalit PLUS, Pressalit SELECT, Pressalit VALUE
For Wash Basin Range	MATRIX Curve II
Width (mm)	600
Front-to-back depth (mm)	487
Overall height (mm)	150
Overflow	Yes
Integrated Grabrails	No