



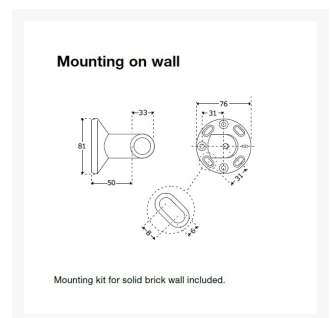
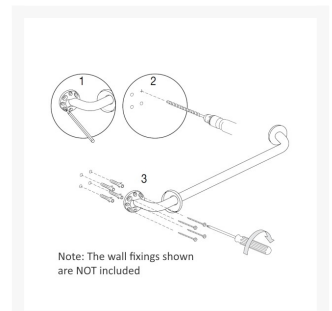
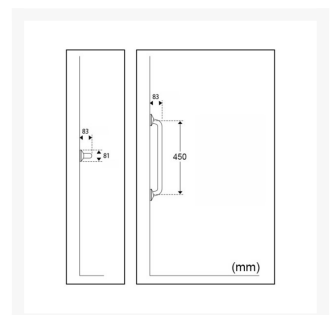
Independent 4 Life

Pressalit PLUS 450mm Handrail - Choice of Colour

£113.58 Inc. VAT

Product Code: RT101xxx

Product Images





Product Options

Colour	Price Inc. VAT
Pressalit White 000	£113.58
Pressalit Red 035	£124.38
Pressalit Dark Blue 108	£124.38
Pressalit Anthracite 112	£113.58

Description

Fixed mounting Pressalit PLUS 450mm length straight grab rail, 33mm in diameter, with a 50mm projection from the wall making it easier to take hold of the rail.

The rail has a warm slip resistant surface, that is not cool to touch. Includes wall rosettes, which cover the fixings that are not included.

Key benefits:

- Length (mm): 450
- Diameter (mm): 33
- Projection from wall (mm): 50
- For fixed mounting
- Rail materials: Aluminium, with Polyester lacquer and Cyclooy plastic rosettes
- Maximum load: 235kg - when the handrail is loaded with 235kg, each wall fastener is loaded with 56kg
- Handrails are tested with a 1.5 safety factor in accordance with the requirements in ISO 17966:2016
- Range of colours available

Warranty:

- 5 year manufacturer warranty

Manufacturer product codes:

- RT101000, RT101035, RT101108, RT101112

Additional Information

Manufacturer	Pressalit
Length (mm)	450
Surface Finish	Powder Coated - "Not Cool to Touch"
Type	Straight Grab Rail
Material	Aluminium
Mounting	Wall
Fixings	Concealed