



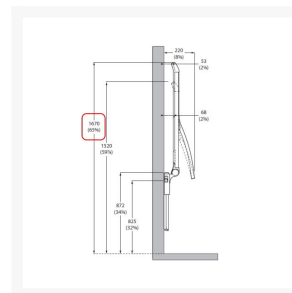
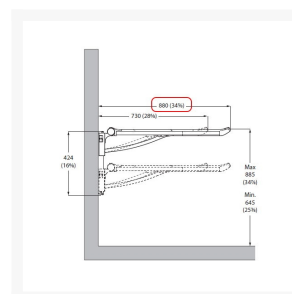
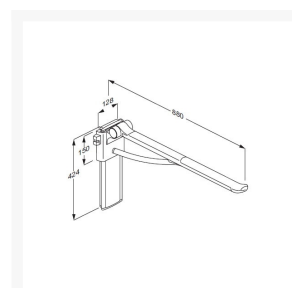
Independent 4 Life

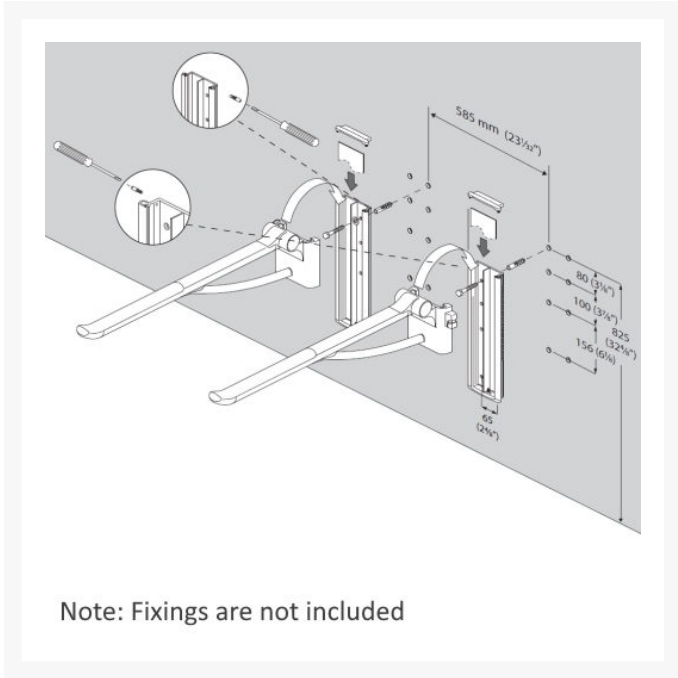
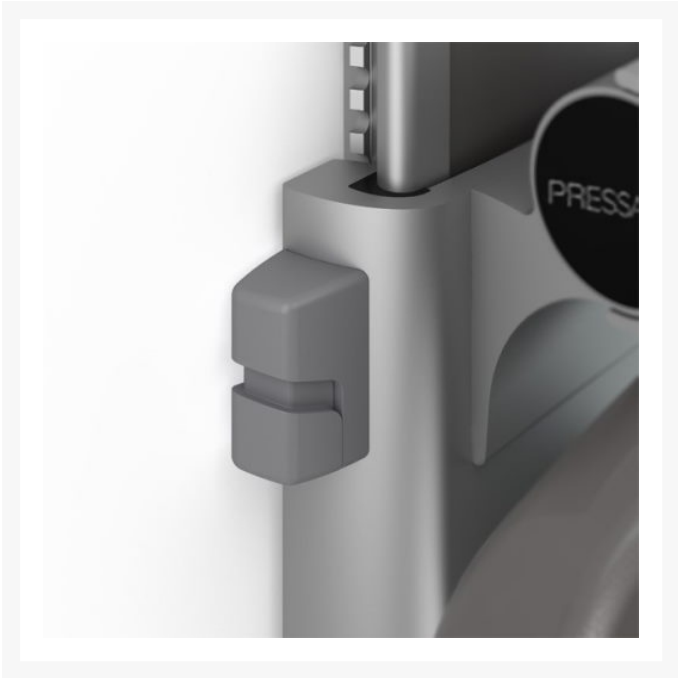
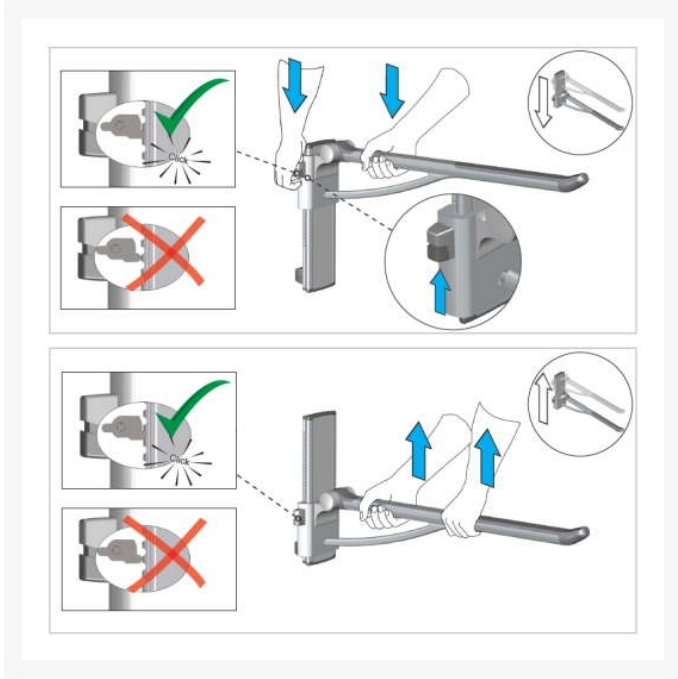
Pressalit PLUS 850mm Counterbalanced Support Arm, VERT Track (LH operated) - Colour Choice

£571.50 Inc. VAT

Product Code: R370385xxx

Product Images







Product Options

Support Arm Colour	Price Inc. VAT
Pressalit White 000	£571.50
Pressalit Red 035	£629.40
Pressalit Dark Blue 108	£629.40
Pressalit Anthracite 112	£571.50
Pressalit Lime Green 277	£629.40

Description

Pressalit PLUS left-hand operated counterbalanced support arm with an 880mm overall offset from the wall, that is foldable and can be detached from the vertical track that has the anthracite cover plate.

The height of the arm can easily be adjusted by 240mm from 645 to 885mm.

The ergonomically shaped support arm provides a sense of security for seated users while also facilitating the task of transferring to and from wheelchairs.

The support arm enables a user to rest their arms comfortably while providing optimum support when getting up and sitting down. The arm is designed so the user will recognise by feel where the support arm ends.

Suitable for use with floor standing toilets and WC pans projecting 700mm from the wall.

Key benefits:

- PLUS support arm, 240mm height adjustable
- 850mm actual support arm length
- Ergonomic grip for weak hands
- Counterbalanced mechanism that prevents the support arm moving unless guided up or down
- Soft and slip-resistant material that has a warm feel
- The oval shape gives an easy and comfortable surface to lean and push against
- The end of the support arm is enlarged so that it is easier to pull forward from a sitting position
- Provides a clear sense of where the support arm ends
- Can be folded against the wall when not in use to create more room space
- The underside is shaped for the mounting of various accessories
- For indoor use in a wet environment, such as a bathroom or a washroom, in private homes, nursing homes and hospitals
- Doc M compliant
- Range of colours available

Counterbalanced mechanism:

- Prevents the support arm moving unless guided up or down
- For example, if you take it to 45° it will stay at 45° until you push it back up or pull it down further

Technical details:

- Total projection from the wall (mm): 880
- Support arm length (mm): 850
- Top of rail distance from the wall when folded (mm): 53
- Inner grab distance from the wall when folded (mm): 68
- Total arm projection - Distance from the wall when folded (mm): 220
- Recommended installation height arm at the top / bottom of the wall track (mm): 645-885
- Total height of arm when folded (at recommended installation height) (mm): 1670
- Vertical wall track length (mm): 424
- Width of track (mm): 128
- Left hand operated
- Anthracite grey cover plate
- For use with floor standing toilets and pans projecting from the wall (mm): 700
- Max. load (kg): 150
- Weight (kg): 4.34
- Fixings are not included, refer to the PDF download - Pressalit Wall Fixation Guide

Materials:

- The arms are primarily constructed in 10-micrometre anodized aluminium, with a non-slip gripping surface made of soft SEBS incorporating a glass-reinforced nylon core
- The hinge arm is also made of soft SEBS. Internal components and fasteners are primarily made of stainless steel
- The hinge barrel is capped with ABS polymer

Warranty:

- 5 year manufacturer warranty

Manufacturer product codes:

- R370385000, R370385035, R370385108, R370385112, R370385277

Former manufacturer codes:

- The Pressalit PLUS range has superseded several former Pressalit products
- This item has replaced: R3175, RF175
- Please check for any changes to the product specification
- Please also note that items in the PLUS range cannot be mounted onto older Pressalit wall tracks, and vice versa

Additional Information

Manufacturer	Pressalit
Type	Hinged Arm Support
WC Projection (mm)	700
Mounting	Wall, Pressalit Vertical Track
Arm Control	Counterbalanced
Adjustable	Height Adjustable
Length (mm)	850
Surface Finish	Soft & Slip-Resistant - "Not Cool to Touch"
Material	Aluminium
Fixings	Concealed