



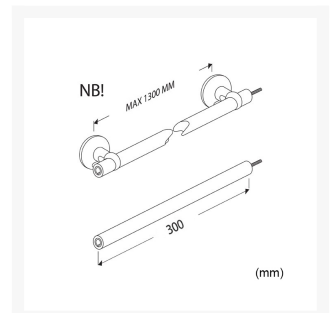
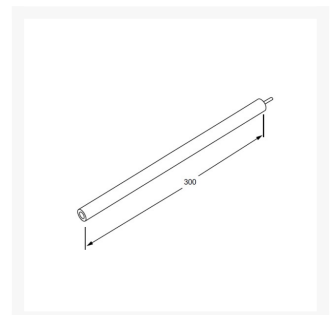
Independent 4 Life

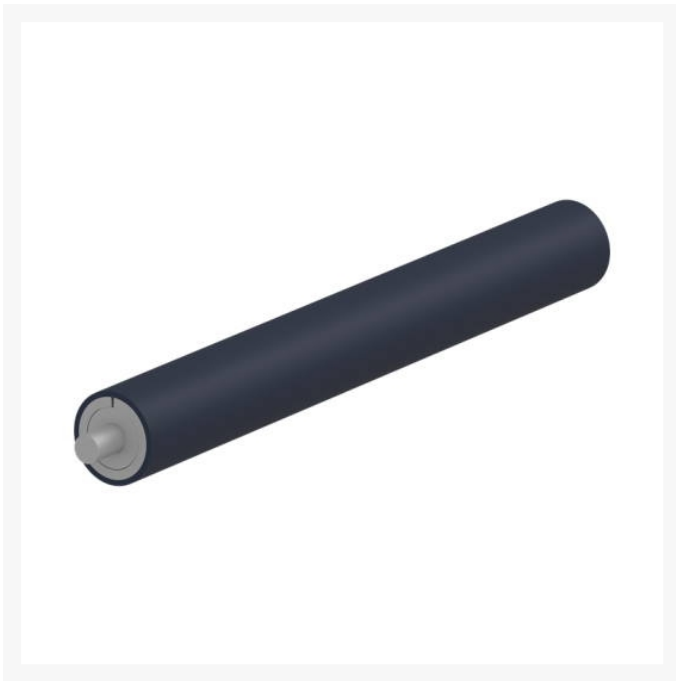
Pressalit PLUS Handrail Section 300mm - Choice of Colour

£76.50 Inc. VAT

Product Code: RT300xxx

Product Images





Product Options

Colour	Price Inc. VAT
Pressalit White 000	£76.50
Pressalit Red 035	£84.30
Pressalit Dark Blue 108	£84.30
Pressalit Anthracite 112	£76.50

Description

Straight handrail section 300mm length, 33mm diameter. Includes male and female connections at end of the rail.

When installed correctly with other components from the Pressalit PLUS handrail system, the rail will have a 50mm projection from the wall making it easier to take hold of the rail.

The rail has a warm slip resistant surface, that is not cool to touch.

Key benefits:

- Straight handrail section 300mm length
- Reversible right/left
- Diameter (mm): 33
- Projection from wall (mm): 50
- For fixed mounting
- Easy and quick assembly
- Rail materials: Aluminium, with Polyester lacquer coating
- Create rails for exact requirements/shape as needed
- Please note that (Product code: RT360xxx) PLUS handrail wall mounting with strap must always be installed at all joints of tubes or every 1200mm
- Maximum weight (with a span up to 1000mm): 210kg
- Maximum weight (with a span up to 1300mm): 150kg
- Range of colours available
- Can be cut to length

Warranty:

- 5-year manufacturer warranty

Manufacturer product codes:

- RT300000, RT300035, RT300108, RT300112

Additional Information

Manufacturer	Pressalit
Length (mm)	300
Surface Finish	Powder Coated - "Not Cool to Touch"
Type	Grab Rail Connectors / Parts
Material	Aluminium
Mounting	Wall
Fixings	Concealed