



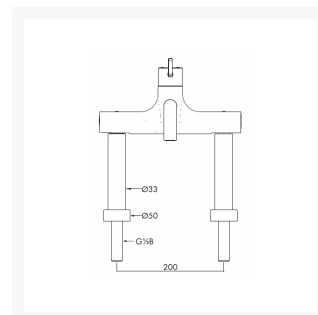
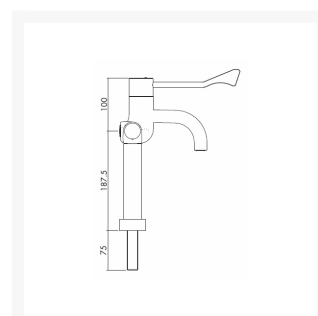
Independent 4 Life

# Ina HTM Safe Touch Thermostatic Sequential Deck-Mounted Tap

£645.55 Inc. VAT

Product Code: HTMDMCP

## Product Images



## Description

Fully approved HTM64 hospital tap by Ina, featuring a long paddle lever for operation without hand contact.

Deck mounted, the tap also features thermostatic temperature control and a safe touch body, perfect for ensuring safe use without scalding.

### Key benefits:

[www.independent4life.co.uk](http://www.independent4life.co.uk) | [info@independent4life.co.uk](mailto:info@independent4life.co.uk) | Tel: 0800 500 3001 | VAT No: 942447711

EORI GB942447711000

- Conforms to Healthcare Performance Requirements (HTM64) and HTM04-01 addendum 2013, PRH8941.0.6, HBN00.09
- Thermostatic control
- Integral isolation valves
- Long paddle lever for operation without hand contact
- Smooth internal surfaces
- Sterilisation function for the complete tap

**Safety features:**

- Safe touch - body remains cool-to-touch
- Anti-scald - water is prevented from reaching a temperature hot enough to scald

**Approvals:**

- TMV3 approved
- WRAS approved

**Technical details:**

- Max operating pressure: 1 bar dynamic
- Max operating pressure: 12 bar static
- Max inlet temperature: 85°C
- Inlet connections: G½ " M BSP

**Warranty:**

- 1 year manufacturer warranty

## Additional Information

---

Manufacturer	Inta
Application	Bath, Basin, HTM64 Hospital Taps
Tap Style	Thermostatic, Deck Mixer / Filler Tap
Mounting	Basin
Operation	Turn with Lever
Water Pressure	Low, Normal Mains, High Pressure Systems
Approvals	WRAS Approved, TMV3 (Healthcare Sector)
Technologies	Thermostatic Control, Safe Touch, Anti-Scald