



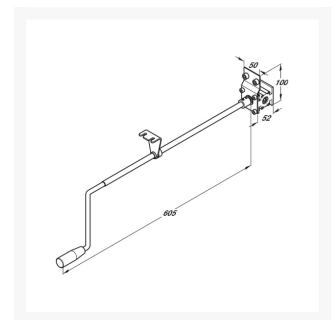
Independent 4 Life

Ropox FlexiManual Replacement Winding Handle & Transmission Assembly

£351.67 Inc. VAT

Product Code: 30-67650

Product Images



Description

Replacement Ropox FlexiManual winding handle with transmission assembly, for operating the FlexiManual height adjustable rise and fall worktop frames.

Connects to the wall bar profile to operate the 8mm inner steel spindle.

www.independent4life.co.uk | info@independent4life.co.uk | Tel: 0800 500 3001 | VAT No: 942447711

EORI GB942447711000

Technical details:

- Suitable for worktop depths of 500-720mm
- Height: 100mm
- Width: 50mm
- Depth: 657mm
- Includes removable handle
- Mid-way fixing for securing to underside of worktop
- Aluminium construction
- Front fascia serrel
- Furniture fittings for installation included

Warranty:

- 1 year manufacturer warranty

Alternate product code:

- ACK8524

Additional Information

Manufacturer	Ropox
Compatible Model	FlexiManual