



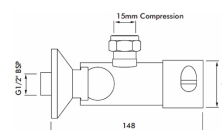
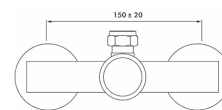
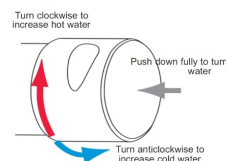
Independent 4 Life

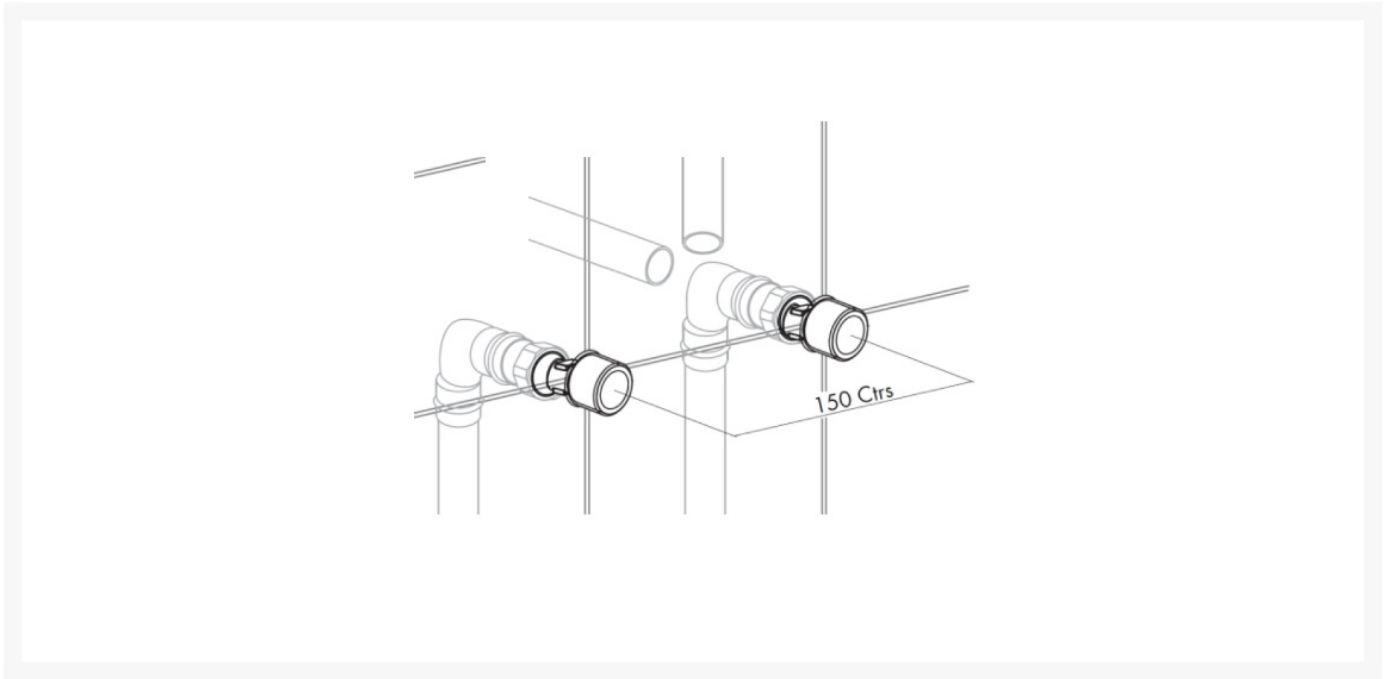
Inta Exposed Timed Flow Shower, Temperature Adjustment Control

£340.39 Inc. VAT

Product Code: NC140CP

Product Images





Description

Inta Timed Flow exposed shower control with temperature adjustment with a top outlet suitable for a fixed shower riser and exposed shower arm or shower head with a bottom inlet.

The non concussive action automatically closes the shower after approximately 15 seconds. This automatic closing action combined with its durability makes it ideal for high use areas such as leisure centres.

Rotating the control knob clockwise or anti-clockwise reduces or increases the mixed water temperature. The control is intended for use with the Intamix TMV valves for thermostatic temperature protection.

Key benefits:

- Exposed shower control with 15 seconds timed flow
- Non concussive operation
- Adjustable temperature control
- Suitable for use with unvented supplies, combi boilers, gravity and mains pressure systems

Technical details:

- Min. operating pressure: 0.5 bar dynamic
- Max. operating pressure: 5 bar static
- Max. inlet temperature: 65°C
- Timed flow at 1 bar: 15 ± 3 seconds
- Inlet connections: G ½" F
- Outlet connections: 15mm compression
- Cartridge: ID8112

Warranty:

- 1 year manufacturer warranty

Additional Information

Manufacturer	Inta
Shower Type	Direct Fed (Mixer)
Shower Features	Shower Control
Fixings	Concealed
Control	Manual Dial, Push Button, Timed Flow Push
Water Pressure	Low, Normal Mains
Non-concussive	Yes
Technologies	Thermostatic Control, Fail Safe on Hot & Cold Supplies, Exposed Top Entry, Water Saving, TMV a Recommended Extra