



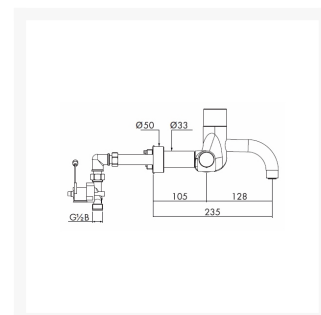
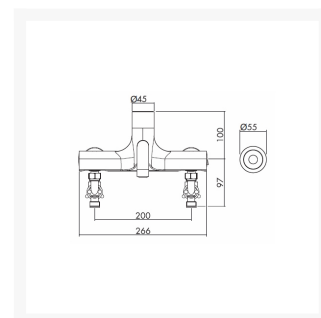
Independent 4 Life

# Inta HTM (TB H6) Safe Touch Infrared Thermostatic Wall-Mounted Tap (Battery Operated)

£994.07 Inc. VAT

Product Code: HTMWMBCP

## Product Images



## Description

Fully approved HTM64 hospital tap by Inta, featuring battery infrared control for operation without hand

[www.independent4life.co.uk](http://www.independent4life.co.uk) | [info@independent4life.co.uk](mailto:info@independent4life.co.uk) | Tel: 0800 500 3001 | VAT No: 942447711

EORI GB942447711000

contact.

Wall mounted, the tap has thermostatic temperature control and a safe touch body, perfect for ensuring safe use without scalding.

**Key benefits:**

- Conforms to Healthcare Performance Requirements (HTM64) and HTM04-01 addendum 2013, PRH8941.0.6, HBN00.09
- Thermostatic control
- Integral isolation valves
- Sensor calibrates itself automatically
- Battery operated infrared control - wave on/off with 60 second pre-set flow time
- Smooth internal surfaces
- 24 hour automatic hygiene flush
- Sterilisation function for the complete tap

**Safety features:**

- Safe touch - body remains cool-to-touch
- Anti-scald - water is prevented from reaching a temperature hot enough to scald

**Approvals:**

- TMV3 approved
- WRAS approved

**Technical details:**

- Min dynamic pressure: 1 bar
- Max static pressure: 10 bar
- Max inlet temperature: 85°C
- Replacement cartridge: HTMSP2XX

**Warranty:**

- 1 year manufacturer warranty

## Additional Information

---

|                |  |
|----------------|--|
| Manufacturer   | Inta   |
| Application    | Bath, Basin, HTM64 Hospital Taps   |
| Tap Style      | Thermostatic, Deck Mixer / Filler Tap  |
| Mounting       | Wall   |
| Operation      | Infrared   |
| Water Pressure | Low, Normal Mains, High Pressure Systems   |
| Approvals      | WRAS Approved, TMV3 (Healthcare Sector)  |
| Technologies   | Thermostatic Control, Safe Touch, Anti-Scald, Automatic Sensor Calibration, Battery Operated |