



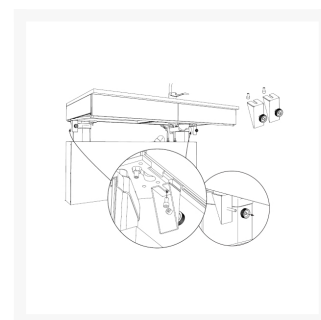
Independent 4 Life

Granberg Fitting Kit for Cover Panels - For Baselift, Plusmodules & Manulift Series

£163.92 Inc. VAT

Product Code: 6260-005

Product Images



Description

This fitting kit by Granberg is used for the cover panels on Baselift, Plusmodules and Manulift series of height adjustable worktop lifts.

These fixings allow the cover panels to slide up and down regardless of height, to hide the wall legs, services

www.independent4life.co.uk | info@independent4life.co.uk | Tel: 0800 500 3001 | VAT No: 942447711

EORI GB942447711000

and electric wiring. White cover panels available separately (Product Code: 6260-24000).

If you are fitting your own Cover Panels to colour match your kitchen. The Panels must be 12-20mm Thick x 438mm High x Length of worktop frame -10mm.

Key benefits:

- Fitting kit for cover panels
- 2x upper fixings - hangs the top cover panel (not included)
- This panel is retained by plastic turning knobs, allowing for easy panel removal
- 1x fitting kit required per 2400mm of worktop length
- Each bracket mounts to the underside of the worktop frame, with a screw on panel retainer
- Includes 2x pairs of sliding end/side panels - mild steel powder coated grey
- **See the PDF Downloads for more information**

Warranty:

- 2 year manufacturer warranty

Additional Information

Manufacturer	Granberg
Compatible Model	Baselift 6300HA, Baselift 6300LA, Baselift 6310HA, Baselift 6310LA, CRN Baselift 6301HA, CRN Baselift 6311HA, CRN Baselift 6302HA, CRN Baselift 6312HA, CRN Baselift 6303HA, CRN Baselift 6313HA, Plusmodule 6305HA, Plusmodule 6306HA, Plusmodule 6315HA, Plusmodule 6316HA, Plusmodule 6316LA, Manulift 6350HA, Manulift 6380HA, Manulift 6380LA