



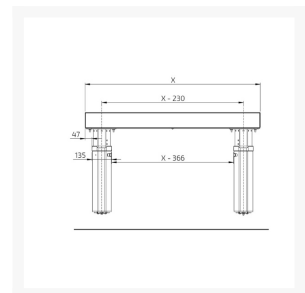
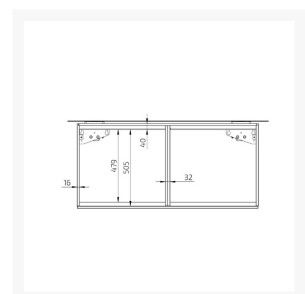
Independent 4 Life

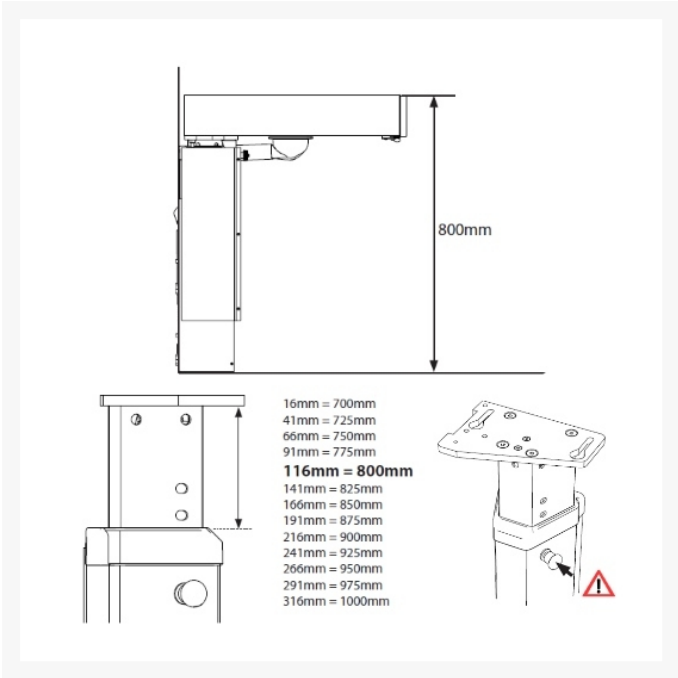
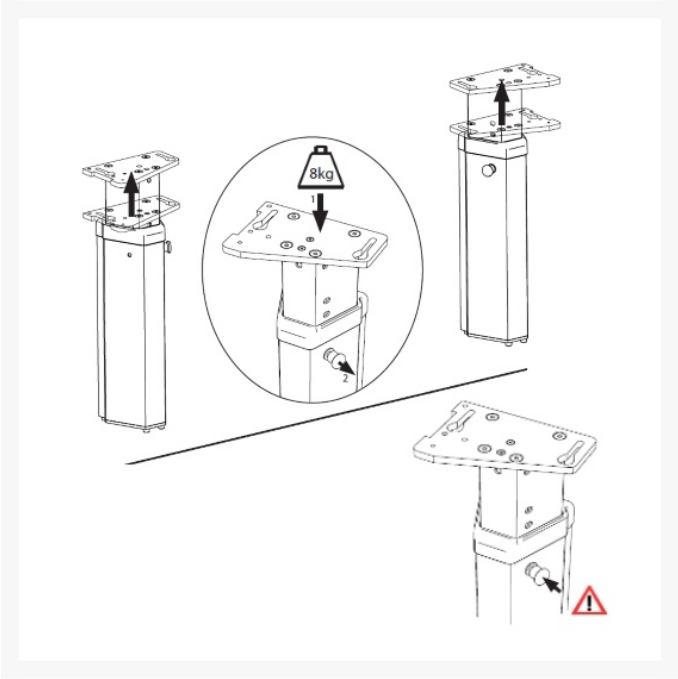
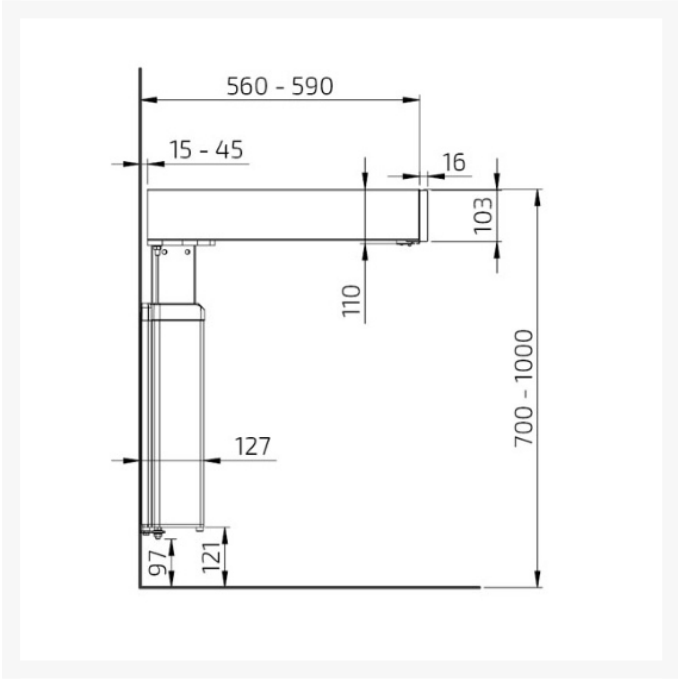
Granberg Manulift 6380HA Wall, 103mm Front, ADJ Worktop Lift - 1801-2400mm

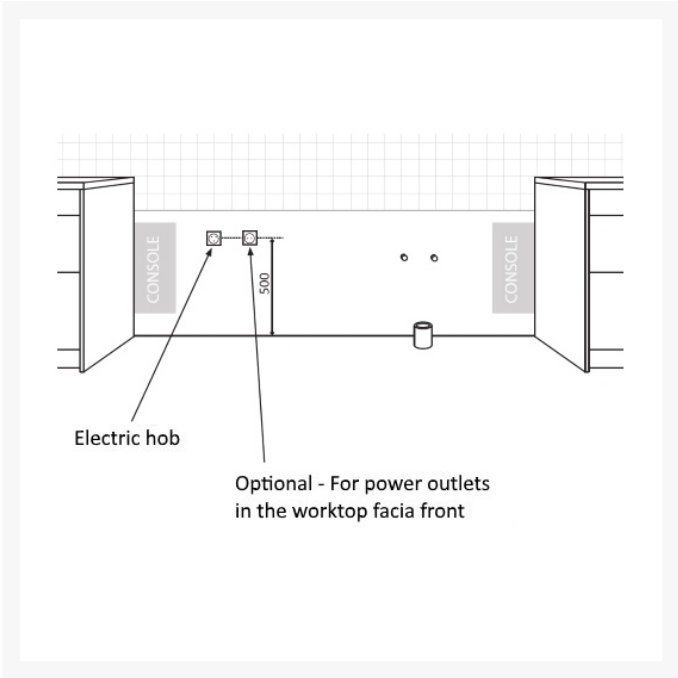
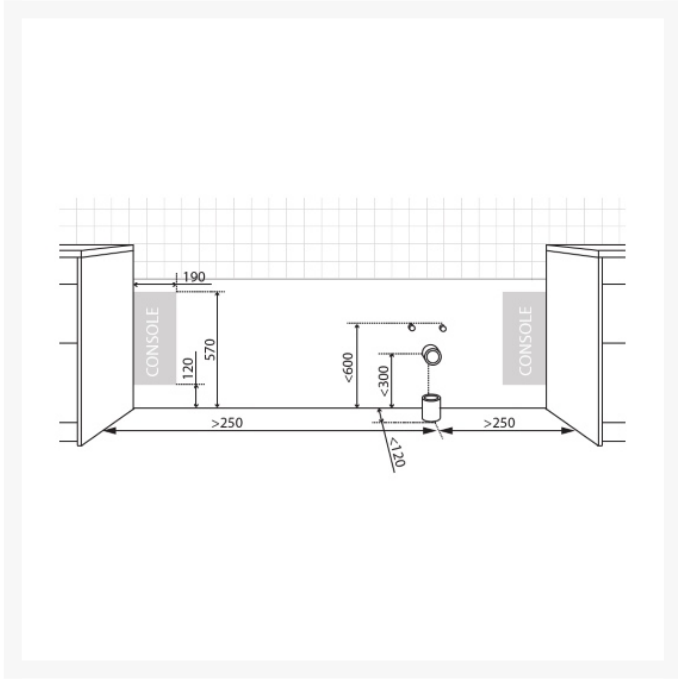
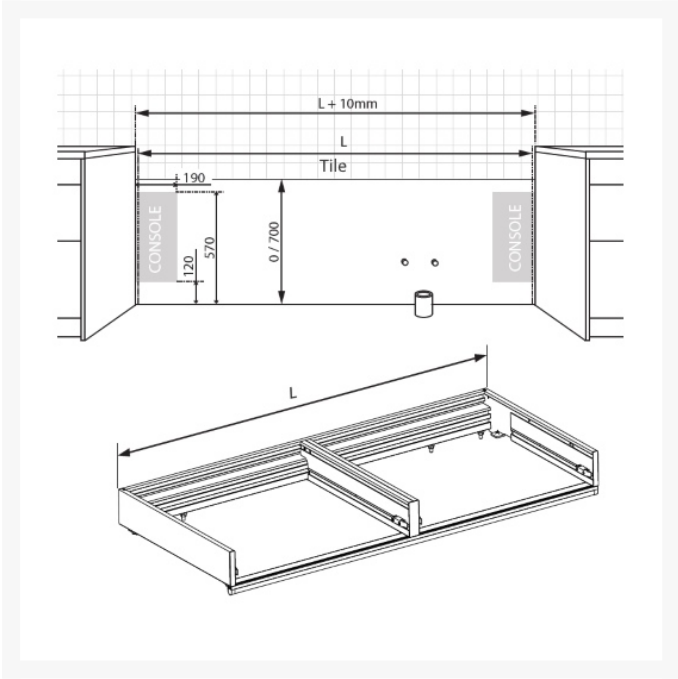
£2,283.12 Inc. VAT

Product Code: 6380HA-189240

Product Images







Additional Options

Step 1) Please enter total width required - must be between 1801-2400mm		£0.00
Step 2) Select your worktop 103mm fascia front (supplied pre-fitted)	None	£0.00
	Anodised Aluminium	£175.50
	White Powder Coated Aluminium RAL 9003	£175.50

Description

The Manulift 6380HA is a manual rise and fall worktop lift by renowned Swedish manufacturer Granberg. Wall mounted, it creates a height adjustable solution suitable for occasional height adjustments - perfect for installations where the height is not changed regularly.

The 6380HA series are designed to work with the Granberg Ergosteel 120mm deep shallow bowl kitchen sinks, drawers, hobs and worktops due to its increased frame top height of 103mm.

This version of the Manulift 6380HA can be custom made to any size from 1801-2400mm.

Key benefits:

- Manual worktop lift with 300mm of height adjustment in 25mm increments
- Suitable for occasional height adjustments - for regular height changes please see the Granberg 6350 Cranked winding handle or Baselift / Sidelift electric systems
- Built-in gas spring in the support leg facilitates height adjustment, with a locking pin
- Pull out the locking pin, adjust the height with the help of the gas spring. Lock the position with the locking pin
- Custom made to any size between 1801-2400mm
- The compartment frame inner supports are movable (sideways) and the top frame angle is adjustable
- The compartment top frame angle is adjustable
- Discreet wall mounted design
- Clever compartment frame system with increased 103mm frame height allows for the installation of drawers and sinks
- Frame supplied assembled for quicker installation
- Includes brackets and screws for installation of fascia front and worktop
- The Manulift can be upgraded to an electric worktop lift, by replacing the legs and fitting safety stop strip(s) and control buttons

Optional fascia front:

- Factory fitted 103mm high aluminium compartment frame front cover
- Choice of finish / colour
- For a faster installation on site, the fascia will be factory fitted

Optional accessories:

- The compartment frame design of the Manulift allows for a high level of customisation
- Factory fitted full extension drawer(s), with an optional drawer facia front if required
- Cover panels* to hide the support legs for a more discreet installation
- Hose covers to hide plumbing services, while allowing easy access to the legs for height adjustments
- For a full list of accessories, please refer to the 'Installation and Help Guides' above or contact us to discuss your requirements

Technical details:

- Height adjustment: Manually adjustable 300mm in 25mm intervals
- Max. distributed load: 100kg (220lbs)
- Frame depth: 560-590mm
- Worktop depth 565-630mm (15mm shallower than worktops on fixed cabinets)
- Front height: 103mm
- Fittings supplied: Attachments for facia fronts
- Clearance required to adjacent cabinets / surfaces (mm): 5
- Space to wall, for tiles (mm): 15
- Tiling: From 700mm above floor (alternatively right down to floor)
- Material: Aluminium frame
- **Note:**

If fitting optional cover panels*, these will have to be removed to allow for height adjustments to be made

- Dimensions for 2x cover panels: Width = width of the lift -10mm, height 438mm, thickness 12-20mm
- Order Granberg cover panels separately (Product code: 6260-240)
- Order Fitting kit for cover panels separately (Product code: 6260-005)

Warranty:

- 2 year manufacturer warranty

Please note:

- Due to the custom nature of this product, it is made-to-order and is therefore non-returnable

Manufacturer product codes:

- 6380HA-189, 6380HA-190, 6380HA-199, 6380HA-200, 6380HA-209, 6380HA-210, 6380HA-219, 6380HA-220, 6380HA-229, 6380HA-230, 6380HA-239, 6380HA-240

Former manufacturer codes:

- The Manulift 6380HA has superseded the Manulift 6280 series
- Previous product codes included: 6280-189260, 6280-189, 6280-190, 6280-199, 6280-200, 6280-209, 6280-210, 6280-219, 6280-220, 6280-229, 6280-230, 6280-239, 6280-240, 6280-249, 6280-250, 6280-259, 6280-260
- Please check all technical details or contact us to discuss the product changes

Additional Information

Manufacturer	Granberg
Mounting / Model	Wall / Manulift 6380HA
Max. Load (kg / St)	100 / 15.7
Method of Operation	Manual - Gas Strut Legs
Height Adjustment (mm)	300
Mounting	Wall Mounted