



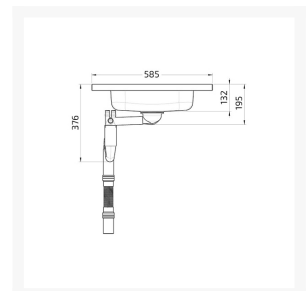
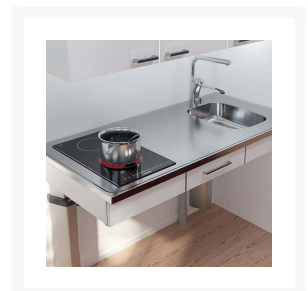
Independent 4 Life

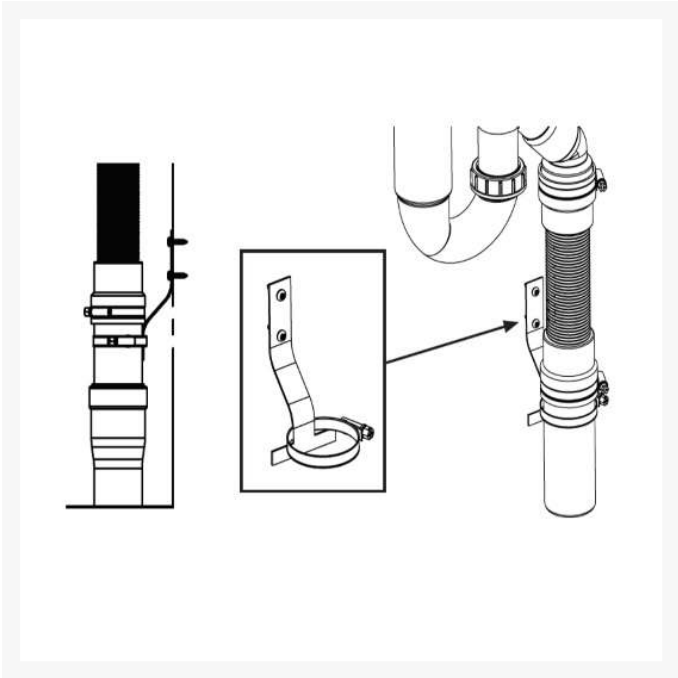
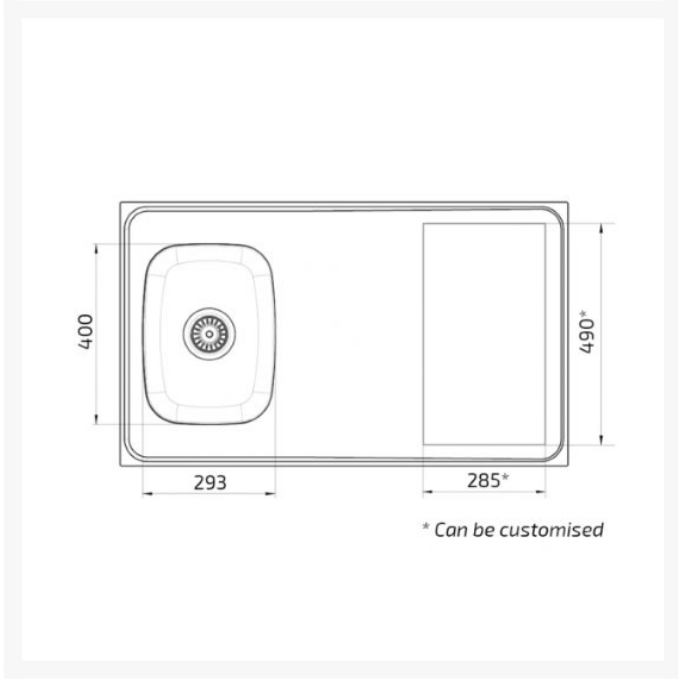
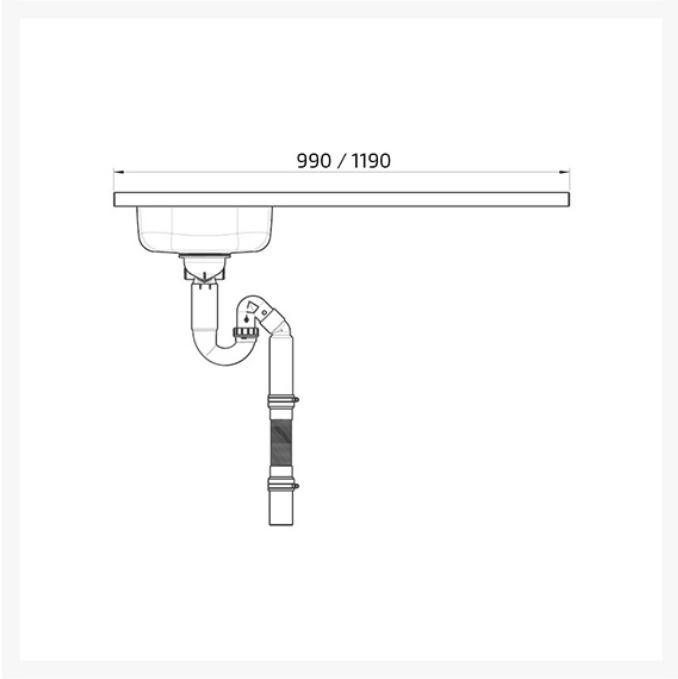
# Granberg ESFS Sit-on Sink with a Hob Cut-out for Mini Kitchen, Choice of Size - OPT Heat Pad

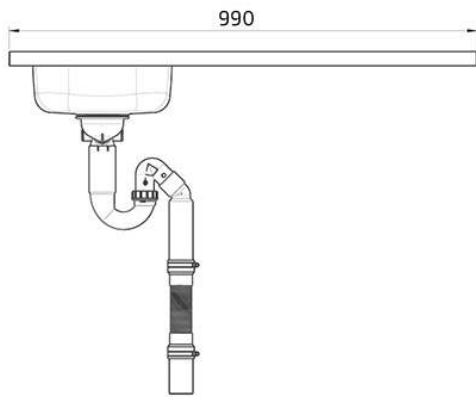
£1,823.04 Inc. VAT

Product Code: 617ESFS

## Product Images







## Product Options

Width (mm)	Price Inc. VAT
990mm	£1,823.04
1190mm	£1,909.44

## Additional Options

---

<b>Optional accessories</b>	1x 4G4S0801 - Self Adhesive Heat Insulation Pad 500x500mm	£23.76
	WFC-3754000 - Wolfcraft Ø 35mm (1 3/8") Tap Hole Cutter	£17.55
	618-025 - Teak Chopping Board for Sink Bowl 293x400mm	£163.80
	618-022 - Sink / Worktop 500ml Soap Dispenser	£73.80

## Description

---

The Granberg ESFS stainless steel mini kitchen is an excellent complete solution small adaptive kitchen, with 1 x shallow bowl kitchen sink with a smooth easy clean worktop with a raised border to the perimeter with a hob cut-out which can be customized to your dimensions. Made from high quality materials it is ideal for both domestic and commercial installations. Designed to be placed on top of the Granberg electric Baselift and Manulift height adjustable worktop systems.

Single shallow sink bowl 120mm deep, free space for use as a drying and food preparation area with space for a 2 zone hob at one end.

### Key benefits:

- Provides more space below the sink for the user's legs and knees
- Sit-on sink unit, no worktop required
- Bowl depth 120mm
- Turnable for left or right side use
- Central positioned waste
- Shallow waste trap with 90mm dia. waste outlet in sink bowl
- Includes manual basket waste, overflow and shallow water trap
- Waste kit includes inlet options for washing machine and dishwasher waste feeds
- Includes 200-650mm flexible plumbing waste kit (Product Code: 61801)
- Smooth stainless steel sheet construction, hygienic and wear-resistant surface
- Moisture resistant MDF board bonded to the underside of the stainless steel work surface for increased strength and to aid fixing
- Free space for tap mounting - requires a tap hole cutter

### Technical details:

- For cabinet size (mm): 400
- Total width (mm): 990 or 1190
- Total depth\* (mm): 585
- Edge height (mm): 30
- Main bowl dimensions (mm): 293 x 400
- Main bowl depth (mm): 120
- Large waste outlet dia. (mm): 90
- Plate thickness: 1mm smooth stainless steel plate on an underside of fully-glued MDF board

### Hob - Cut-out:

- The cooking hob shown in the image is not included
- Hob cut-out width x depth (mm): 285 x 490
- The cut-out size for the hob can be customized if required, contact us to discuss your requirements

**\* Total depth explained:**

- Adapted to the height of the Granberg height-adjustable bench systems, this provides a 15mm space on the wall side for splash protection
- The width of the sink is 10mm shorter than standard to provide a 5mm gap on each side of the height-adjustable worktop lift to adjacent base units or wall

**Recommended optional accessories:**

- 1x 4G4S0801 - Heat insulation pads (mm): 500 x 500 x 6
- WFC-3754000 - Ø 35mm (1 3/8") Tap Hole Cutter
- 618-025 - Teak Chopping Board for Sink Bowl 293 x 400mm
- 618-022 - Sink / Worktop 500ml Soap Dispenser

**Heat insulation pad - Technical details:**

- 1x Heat insulation pad (mm): 500 x 500 x 6
- Can be cut to size as required
- Materials: Grey neoprene sponge rubber
- Flame resistant
- Temperature resistant acrylic adhesive
- Supplied separately with self-adhesive backing
- See PDF data sheet for more information

**Warranty:**

- 2 year manufacturer warranty

**Please note:**

- Due to the custom nature of this product, it is made-to-order and is therefore non-returnable

**Custom sizes:**

- Custom widths and different bowl locations are possible, please contact us with your requirements

**Manufacturer product codes:**

- 617ESFS-099 and 617ESFS-119

## Additional Information

---

Manufacturer	Granberg
Width (mm)	990, 1190
For Cabinet Size (mm)	400
Heat Insulated	Yes - Optional Pad(s)
Bowl Depth (mm)	120
Sink Installation	Counter Top