



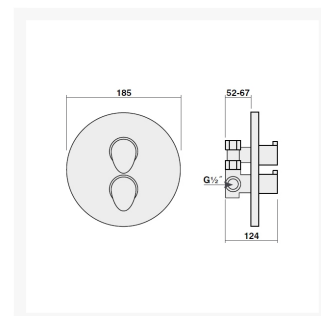
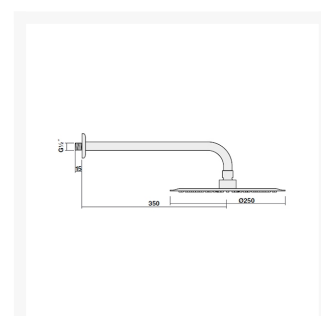
Independent 4 Life

Inta Enzo Deluxe Concealed Thermostatic Shower, OH Arm & Large SS Soaker

£382.84 Inc. VAT

Product Code: ENZOD12

Product Images



Description

The Inta Enzo Deluxe, thermostatic concealed shower valve, with a slimline design combined with the safest in showering technology.

It is safe-to-touch during operation and thermostatically controlled, ensuring protection from water, hot

www.independent4life.co.uk | info@independent4life.co.uk | Tel: 0800 500 3001 | VAT No: 942447711

EORI GB942447711000

enough to scald.

This version of the Inta Enzo Deluxe features a chrome wall mounted shower arm with a large 250mm dia. stainless steel soaker.

Key benefits:

- TMV2 Thermostatic concealed shower valve
- Easy to operate sequential handles
- Overhead shower arm with a large 250mm dia. stainless steel soaker
- Soakers overall projection from the wall 475mm
- Chrome finish

Includes:

- Inta Enzo Concealed Thermostatic Single Outlet Shower Valve
- Inta Enzo Deluxe Overhead Arm and Large Stainless Steel Soaker

Safety features:

- Safe touch - body remains cool-to-touch
- Anti-scald - water is prevented from reaching a temperature hot enough to scald

Approvals:

- WRAS approved
- TMV2 approved

Technical details:

- Max inlet pressure: 5 bar static
- Min inlet pressure: 0.2 bar dynamic
- Inlet connections: 15mm compression
- Outlet connection: G½" BSP (top or bottom)
- Min inlet temperature differential to achieve failsafe: 15°C
- Thermostatic cartridge: 2402APL
- Flow cartridge: VC02NF

Warranty:

- 5 year manufacturer warranty

Additional Information

Manufacturer	Inta
Shower Type	Direct Fed (Mixer)
Shower Features	Thermostatic Mixers, Shower Arm, Overhead Soaker
Fixings	Concealed
Control	Manual Dial
Water Pressure	Low, Normal Mains
Technologies	Thermostatic Control, Safe Touch, Anti-Scald
Approvals	WRAS Approved, TMV2 (Domestic Sector)