



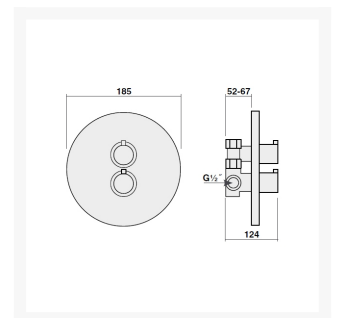
Independent 4 Life

# Inta Kiko Deluxe Concealed Thermostatic Shower, Flexible Slide Rail Kit, Push Button Handset & Wall Elbow

£382.25 Inc. VAT

Product Code: KIKOD11

## Product Images



## Description

The Inta Kiko Deluxe features a sleek stainless steel design, minimalist accessories, and easy to operate peg

[www.independent4life.co.uk](http://www.independent4life.co.uk) | [info@independent4life.co.uk](mailto:info@independent4life.co.uk) | Tel: 0800 500 3001 | VAT No: 942447711

EORI GB942447711000

levers.

Thermostatically controlled, it prevents itself from delivering water hot enough to scald.

This version of the Inta Kiko Deluxe features a flexible slide rail kit, smooth hose, push button handset and wall elbow.

**Key benefits:**

- Thermostatic concealed shower valve with deluxe flexible slide rail kit, handset and wall elbow
- Easy to operate peg handles
- 1.5m Smooth hose
- Push button handset

**Includes:**

- Inta Kiko Concealed Thermostatic Single Outlet Shower Valve
- Inta Kiko Deluxe Flexible Slide Rail Kit with Smooth Hose, Push Button Handset and Wall Outlet

**Safety features:**

- Safe touch - body remains cool-to-touch
- Anti-scald - water is prevented from reaching a temperature hot enough to scald

**Technical details:**

- Max inlet pressure: 5 bar static
- Min inlet pressure: 0.4 bar dynamic
- Inlet connections: 15mm compression elbows
- Outlet connections: 15mm compression
- Min inlet temperature differential to achieve failsafe: 15°C
- Thermostatic cartridge: 2402PL
- Flow cartridge: VC02NF

**Approvals**

- WRAS
- TMV2

**Warranty:**

- 5 year manufacturer warranty

## Additional Information

---

|                                |  |
|--------------------------------|--|
| Manufacturer                   | Inta   |
| Shower Type                    | Direct Fed (Mixer)   |
| Shower Features                | Thermostatic Mixers, Fixed Riser Rail, Flexible Hose and Handset, Shower Head Holder |
| Fixings                        | Concealed  |
| Control                        | Manual Lever, Manual Dial  |
| Hose Length (mm) / Application | 1500 / Shower Hose   |
| Water Pressure                 | Normal Mains   |
| Technologies                   | Thermostatic Control, Safe Touch, Anti-Scald   |