



Independent 4 Life

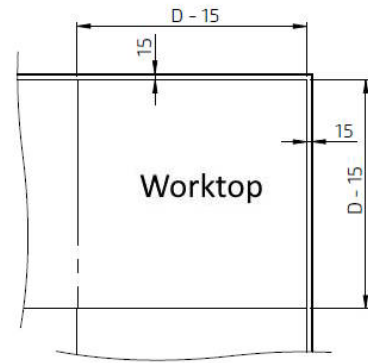
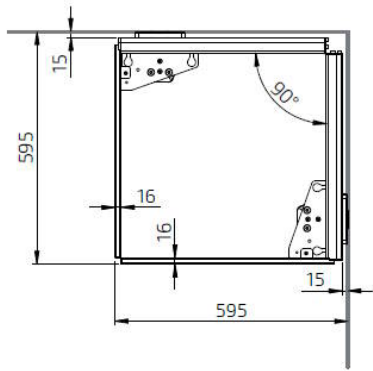
Granberg Baselift Corner 6303HA, Wall, 103mm FRT, Height ADJ Worktop Lift

£3,926.88 Inc. VAT

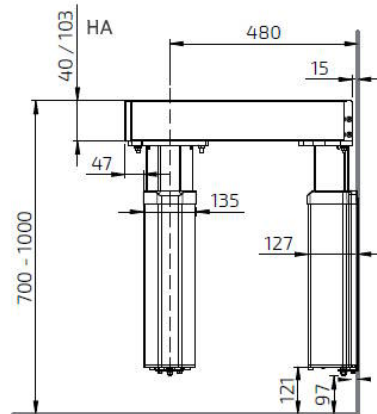
Product Code: 6303HA-0595

Product Images





D = Depth of worktop on fixed cabinets





Additional Options

Step 1) Select which controls you require	Standard - Granberg Corded Control Button in Alu-design (Product Code: 61320)	£0.00
	Upgrade - Granberg Corded Mini Touch Control Buttons (Product Code: 61318)	£0.00
	Optional - Granberg Safety Key Lock (Product Code: 61360)	£62.10
	Upgrade - Granberg Remote Control (Product Code: 61385)	£213.30

Description

The Baselift 6303HA is an electric corner rise and fall worktop lift by renowned Swedish manufacturer Granberg.

Wall mounted, it creates a height adjustable access solution to cater for both standing and seated users.

The Baselift 6303HA is defined by a 90° front edge and a 90° corner at the wall. This corner module is perfect for making use of the dead space in the corner of the kitchen. Each side can be extended by up to 2400mm with the addition of Plusmodules (available separately).

Key benefits:

- Electric corner worktop lift with 300mm of continuous height adjustment
- Extend each side by up to 2400mm, with the addition of Plusmodules (available separately)
- Discreet wall mounted design
- The lifting system is adjustable at an angle to compensate for inclined walls / worktop
- Frame supplied assembled for quicker installation
- Simple 'plug and play' setup for easy motor configuration
- Includes brackets and screws for installation of the worktop

Safety system:

- The Plusmodules (not included) are required for each side extension of this corner lift module, include a safety stop strip located below the front edge of the worktop lift
- This strip prevents the lift from moving once it comes into contact with an external source

Choice of controls:

- With Plusmodules (not included) fitted either side, we will confirm with you the control button / key lock factory fitted locations if Alu. Fronts are ordered
- Corded Control Button in Alu-design (Product Code: 61320)
- Corded Mini Touch Control Buttons (Product Code: 61318)
- Safety Key Lock (Product Code: 61360)
- Remote Control (Product Code: 61385)

Optional accessories:

- Plusmodules extend the corner frame on both sides, by up to 2400mm

- Cover panels can be installed to hide the motor legs and provide a more discreet installation, order 1x per side

Technical details:

- Overall size of module (mm): 595 x 595
- Height adjustment: Motor-driven, steplessly adjustable by 300mm (700 - 1000mm excl. worktop)
- Speed: 30mm / sec.
- Electrical connection: Mains plug for 230 V, 2 x 5A
- Max. distributed load / Lifting force: 100kg (220lbs)
- IP-class: IP 20
- Frame depth: 560-590mm from wall
- For worktop depth: 565-630mm (15mm shallower than worktops on fixed cabinets)
- Front height: 103mm
- Fittings supplied: Attachments for worktop
- Clearance required to adjacent surfaces (mm): 5
- Gap to wall (for tiling): 15mm
- Tiling: From 700mm above floor (alternatively right down to floor)
- Material: Aluminium frame
- If fitting your own cover panels x2, dimensions required: Width = worktop width -10mm, height 438mm x thickness 12-20mm
- Order Granberg cover panels separately 2x (Product code: 6260-240)
- Order Fitting kit for cover panels separately 2x (Product code: 6260-005)

Warranty:

- 2 year manufacturer warranty

Please note:

- Due to the custom nature of this product, it is made-to-order and is therefore non-returnable

Additional Information

Manufacturer	Granberg
Mounting / Model	Wall / CRN Baselift 6303HA
Max. Load (kg / St)	100 / 15.7
Method of Operation	Electric - Push Button / Remote
Height Adjustment (mm)	300
Mounting	Wall Mounted