



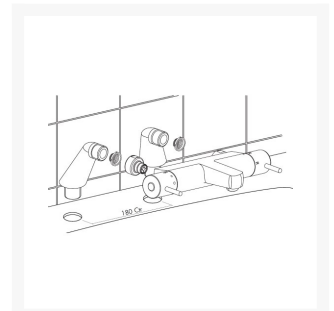
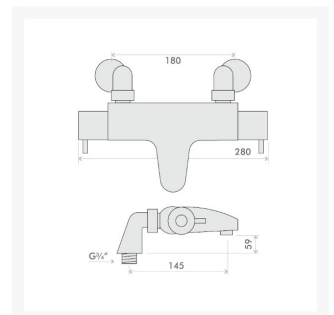
Independent 4 Life

Inta Acura Thermostatic Bath Filler, Deck Mounting Legs - Chrome

£408.43 Inc. VAT

Product Code: AC50020CP

Product Images





Description

Thermostatic bath filler mixer tap from the Inta Acura range.

This version of the tap is for deck mounting and features anti-scald temperature protection.

The Acura thermostatic bath filler is TMV3 approved and is ideal for domestic purposes with its stylish appearance and for use by those with limited hand dexterity.

Key benefits:

- Specifically designed and manufactured to meet the requirements of BS 7942: 2000 and NHS D08
- Suitable for use with unvented supplies, combi boilers, gravity and mains pressure systems
- Thermal cartridge technology
- Fail safe on hot and cold supplies
- Lever handles
- Supplied with deck mounting legs
- Matching range of showers and basin mixer taps

Approvals:

Note: The deck-mounted version of the Acura Bath Filler is not WRAS approved.

Safety:

- Anti-scald - water is prevented from reaching a temperature hot enough to burn

Technical details:

- Max inlet pressure (static): 5 bar
- Min inlet pressure (dynamic): 0.2 bar
- Max inlet temperature: 85°C
- Factory pre-set temperature: 85°C
- Inlet connections: G ¾" F BSP (valve body)

- Min temperature differential to achieve failsafe: 15°C

Warranty:

- 5 year manufacturer warranty

Additional Information

| | |
|----------------|--|
| Manufacturer | Inta |
| Application | Bath |
| Tap Style | Thermostatic, Deck Mixer / Filler Tap |
| Mounting | Bath |
| Operation | Turn with Lever |
| Water Pressure | Low, Normal Mains, High Pressure Systems |
| Technologies | TMV a Recommended Extra |