



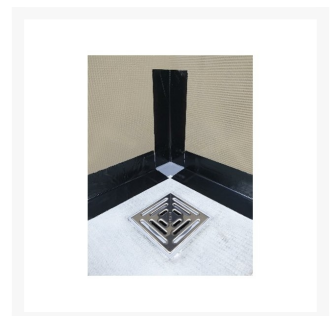
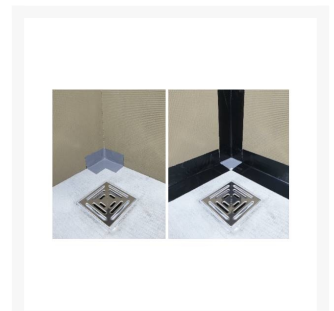
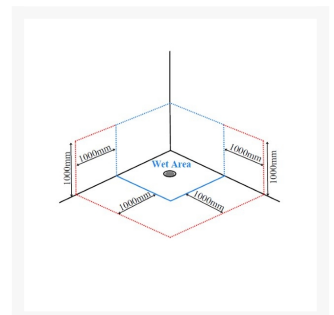
Independent 4 Life

Hydromat Self-adhesive Butyl Tanking Membrane Kit - 10m²

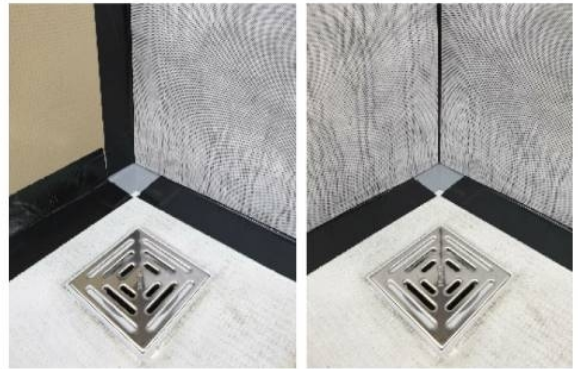
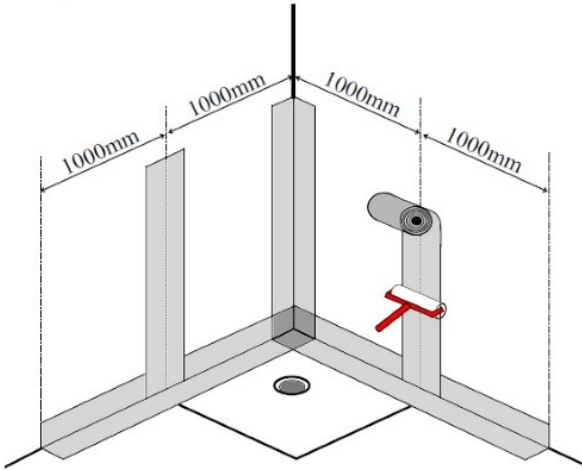
£270.00 Inc. VAT

Product Code: HMK10

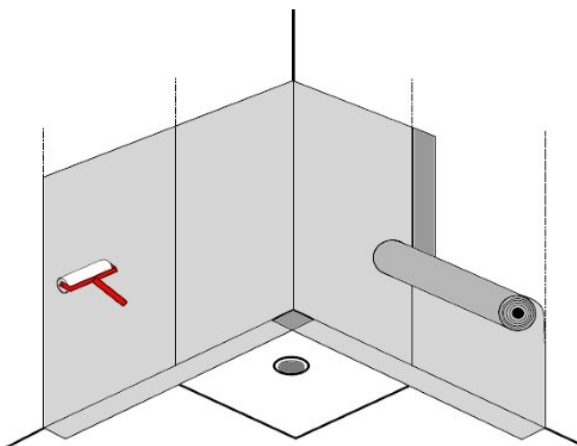
Product Images



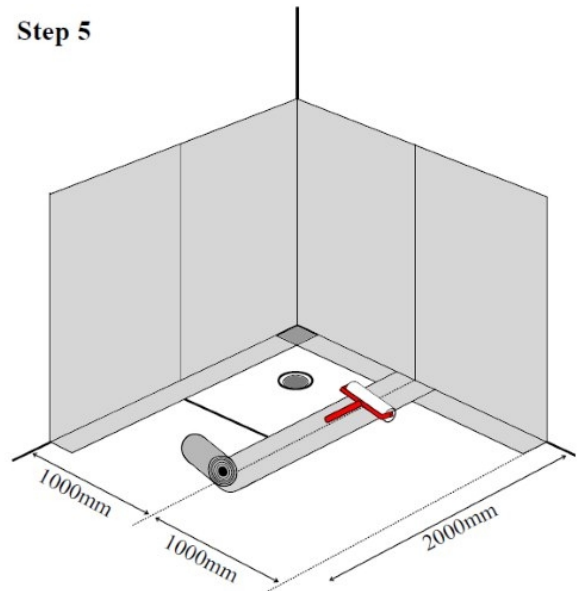
Step 3

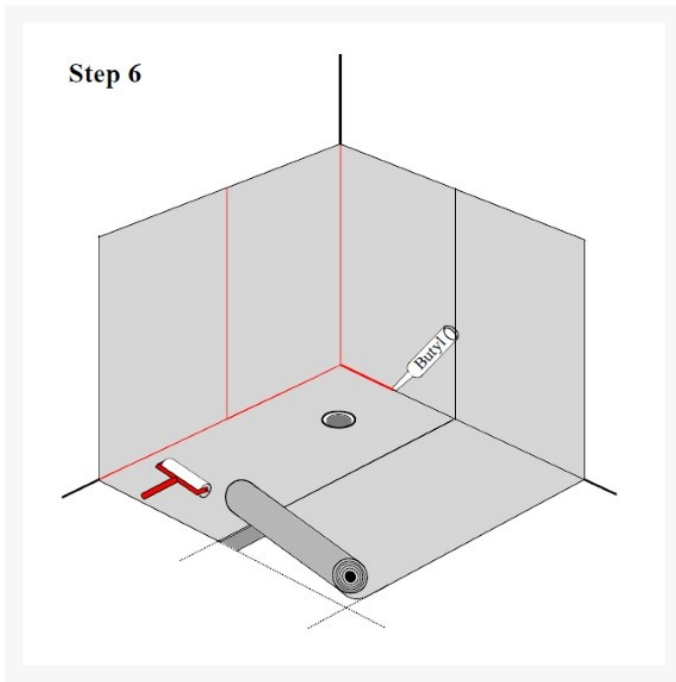


Step 4



Step 5





Description

Complete Hydromat kit with self-adhesive butyl components for creating a flexible waterproof wet room taking system that is suitable for timber and concrete floors that will be finished with tiled surfaces.

For use on both floors and walls, once installed it can be tiled over immediately, drastically speeding up the speed of installation.

This kit includes 10m² of Hydromat membrane plus the required ancillary items.

Key benefits:

- Self adhesive butyl membrane

- 10m x 1000mm wide sheet
- Should be applied to floors and walls
- Can be tiled over immediately
- Fleece top that provides maximum key for tile adhesive
- Suitable for use with underfloor heating
- The Butyl Sealant does not cure solid, it will remain permanently plastic

Installation guidance:

- Check the substrate is sound, free of contaminants and remove any loose material
- Make sure there are no significant irregularities, any gaps should be filled
- Surfaces should be primed and allowed to dry
- As per installation instructions where the Hydromat Tanking membrane will be joined - Hydromat Tanking Tape and Internal / External Corners, should be installed first on walls and floors
- Jointing tapes and corners are self adhesive on both sides with removable films, use the roller provided and roll over all areas before removing the top film
- Starting from the corner carefully apply the membrane onto the wall leaving no gaps greater than 5mm between joints, at all butt joints ensure to overlap the membrane onto the joint tape by at least 70mm
- Tanking should be applied at minimum one meter up the walls and one meter into the room from the edge of the wet area
- The floor drain that you are using will determine the interface method between the membrane and drain, please see the "Common Drain & Membrane Interfaces" section in the installation instructions
- Areas outside the main wet space that are exposed frequently to water will also require tanking
- The aim is to create one continuous tanking sheet down to the drain
- When installing always work from the corner, once applied roller over all areas for maximum adhesion
- Apply Butyl Sealant to all gaps / joints and where pipes pass through the membrane, ensure sealant is pushed well into all joints
- Download the PDF installation instructions, from the Installation and Help Guides "Tab" for more information

Kit contents:

- 1x 10m² Hydromat self-adhesive butyl tanking membrane roll
- 2 x 10m x 150mm Hydromat double sided self-adhesive butyl joint tape
- 2 x Hydromat double sided self-adhesive butyl internal corners (External corners also available, order separately)
- 1 Litre primer
- 1 x 310ml tube of butyl sealant
- 1 x Application roller

Warranty:

- When installed correctly by a competent person and used for normal Wetroom applications this tanking system has a life-of-tiling guarantee with the manufacturer (if grout lines are maintained)
- No guarantee is offered where this is not the case

Additional Information

Manufacturer

Hydromat