



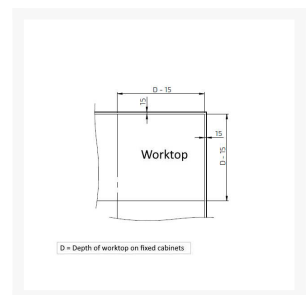
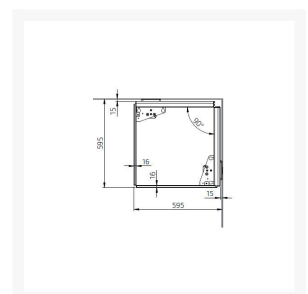
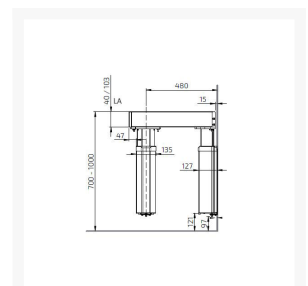
Independent 4 Life

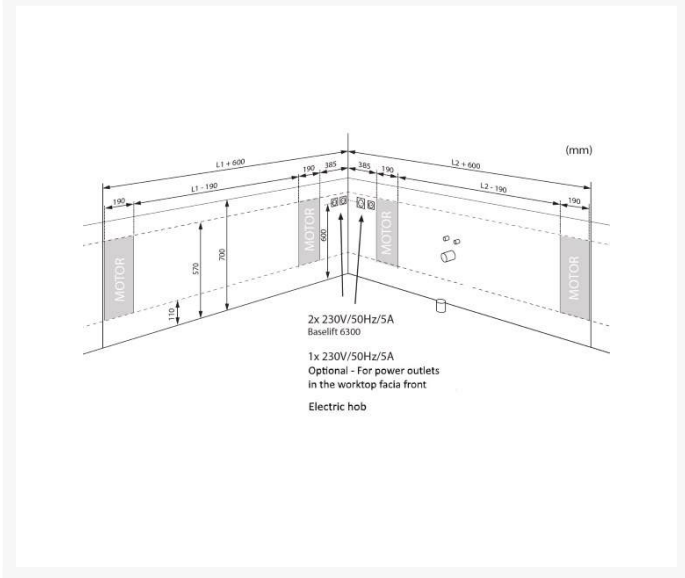
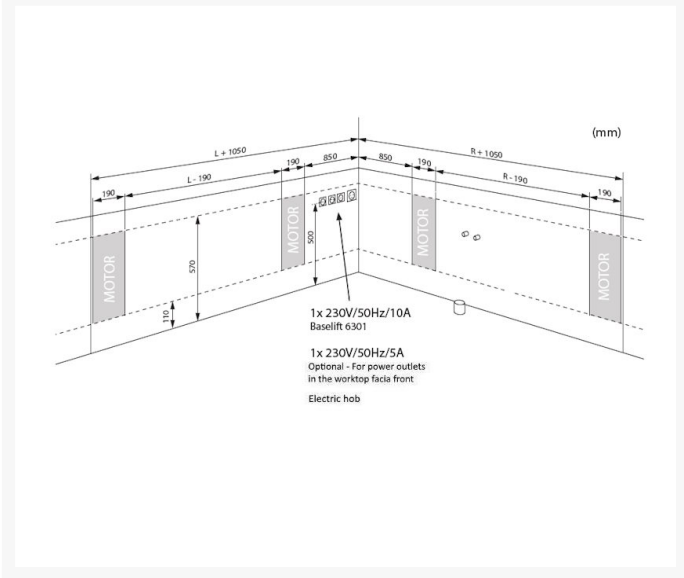
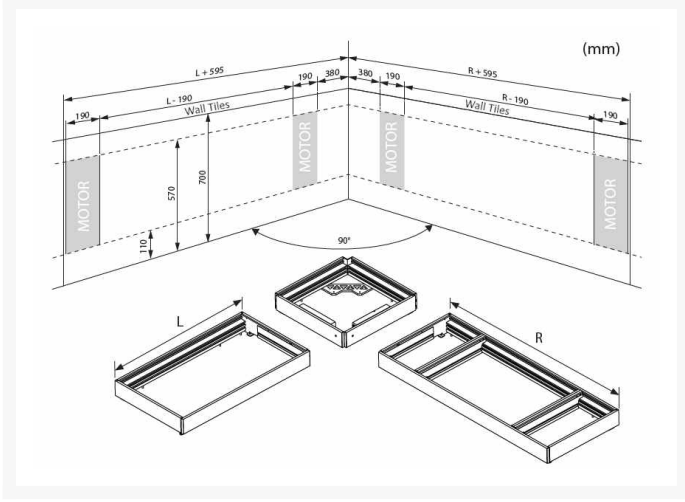
Granberg Baselift Corner 6303LA, Wall, 40mm Front, Height ADJ Worktop Lift

£3,926.88 Inc. VAT

Product Code: 6303LA-0595

Product Images





Additional Options

Step 1) Select which controls you require	Standard - Granberg Corded Mini Touch Control Buttons (Product Code: 61318)	£0.00
	Optional - Granberg Safety Key Lock (Product Code: 61360)	£62.10
	Upgrade - Granberg Remote Control (Product Code: 61385)	£213.30

Description

The Baselift 6303LA is an electric corner rise and fall worktop lift by renowned Swedish manufacturer Granberg.

Wall mounted, it creates a height adjustable access solution to cater for both standing and seated users.

The Baselift 6303LA is defined by a 90° front edge and a 90° corner at the wall. This corner module is perfect for making use of the dead space in the corner of the kitchen, extend each side by up to 2400mm with a Plusmodule (available separately).

Key benefits:

- Electric corner worktop lift with 300mm of continuous height adjustment
- Extend each side by up to 2400mm, with the addition of Plusmodules (available separately)
- Discreet wall mounted design
- The lifting system is adjustable at an angle to compensate for inclined walls / worktop
- Frame supplied assembled for quicker installation
- Simple 'plug and play' setup for easy motor configuration
- Includes brackets and screws for installation of the worktop

Safety system:

- The Plusmodules (not included) are required for each side extension of this corner lift module, include a safety stop strip located below the front edge of the worktop lift
- This strip prevents the lift from moving once it comes into contact with an external source

Choice of controls:

- With Plusmodules (not included) fitted either side, we will confirm with you the control button / key lock factory fitted locations if Alu. Fronts are ordered
- Corded Mini Touch Control Buttons (Product Code: 61318)
- Safety Key Lock (Product Code: 61360)
- Remote Control (Product Code: 61385)

Optional accessories:

- Plusmodules extend the corner frame on both sides, by up to 2400mm
- Cover panels can be installed to hide the motor legs and provide a more discreet installation, order 1x per side

Technical details:

- Overall size of module (mm): 595 x 595

- Height adjustment: Motor-driven, steplessly adjustable by 300mm (700 - 1000mm excl. worktop)
- Speed: 30mm / sec.
- Electrical connection: Mains plug for 230 V, 2 x 5A
- Max. distributed load / Lifting force: 100kg (220lbs)
- IP-class: IP 20
- Frame depth: 560-590mm from wall
- For worktop depth: 565-630mm (15mm shallower than worktops on fixed cabinets)
- Front height: 40mm
- Fittings supplied: Attachments for worktop
- Clearance required to adjacent surfaces (mm): 5
- Gap to wall (for tiling): 15mm
- Tiling: From 700mm above floor (alternatively right down to floor)
- Material: Aluminium frame
- If fitting your own cover panels x2, dimensions required: Width = worktop width -10mm, height 438mm x thickness 12-20mm
- Order Granberg cover panels separately 2x (Product code: 6260-240)
- Order Fitting kit for cover panels separately 2x (Product code: 6260-005)

Warranty:

- 2 year manufacturer warranty

Please note:

- Due to the custom nature of this product, it is made-to-order and is therefore non-returnable

Additional Information

Manufacturer	Granberg
Mounting / Model	Wall / CRN Baselift 6303LA
Max. Load (kg / St)	100 / 15.7
Method of Operation	Electric - Push Button / Remote
Height Adjustment (mm)	300
Mounting	Wall Mounted