



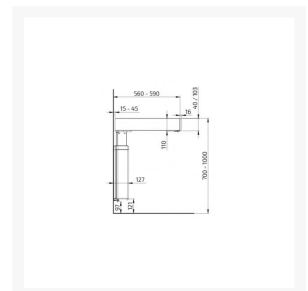
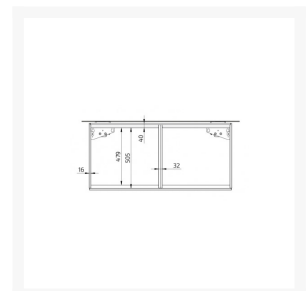
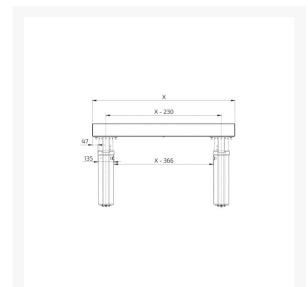
Independent 4 Life

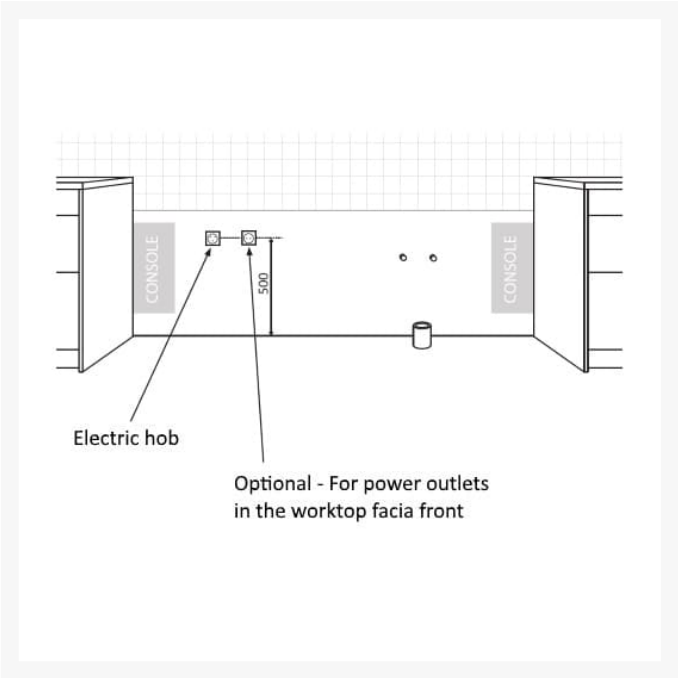
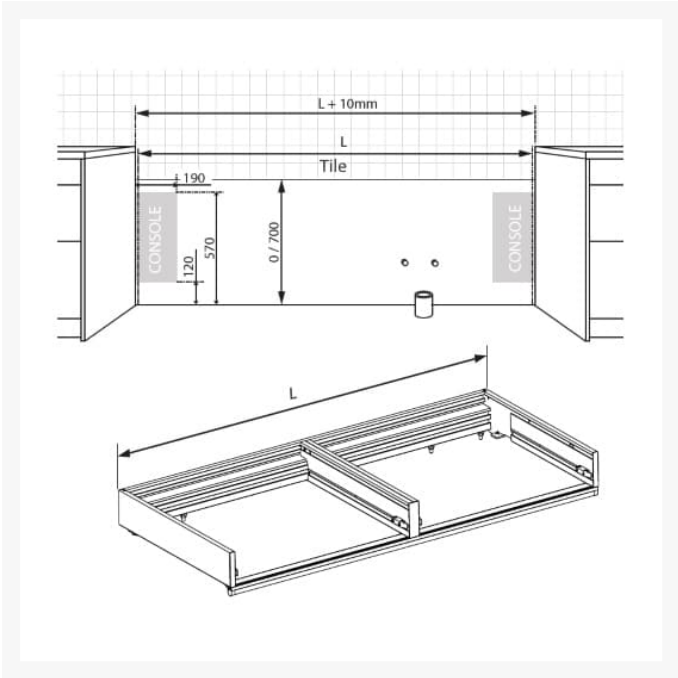
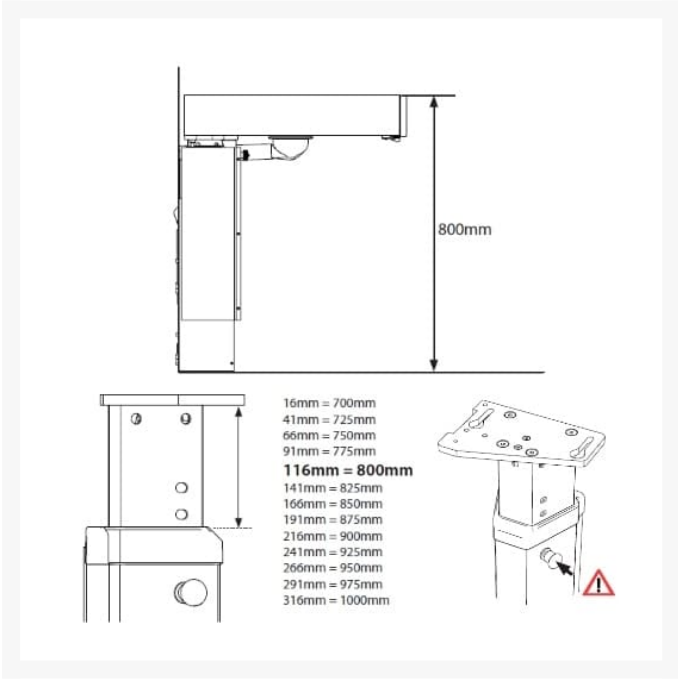
Granberg Manulift 6380LA, Wall, 40mm Front, ADJ Worktop Lift - 1001-1800mm

£1,972.08 Inc. VAT

Product Code: 6380LA-109180

Product Images







Additional Options

Step 1) Please enter total width required - must be between 1001-1800mm		£0.00
Step 2) Select your worktop 40mm fascia front (supplied pre-fitted)	None	£0.00
	Anodised Aluminium	£161.10
	White Powder Coated Aluminium RAL 9003	£161.10

Description

The Manulift 6380LA is a manual rise and fall worktop lift by renowned Swedish manufacturer Granberg.

Wall mounted, it creates a height adjustable solution suitable for occasional height adjustments - perfect for installations where the height is not changed regularly.

Its innovative compartment frame design allows for the installation of fascia fronts and accessories. The 6380LA series is particularly suited for worktops and hobs due to its shallow 40mm frame height.

This version of the Manulift 6380LA can be custom made to any size from 1001-1800mm.

Key benefits:

- Manual worktop lift with 300mm of height adjustment in 25mm increments
- Suitable for occasional height adjustments - for regular height changes please see the Granberg 6350 Cranked winding handle or Baselift / Sidelift electric systems

- Built-in gas spring in the support leg facilitates height adjustment, with a locking pin
- Pull out the locking pin, adjust the height with the help of the gas spring. Lock the position with the locking pin
- Custom made to any size between 1001-1800mm
- The compartment frame inner supports are movable (sideways) and the top frame angle is adjustable
- Discreet wall mounted design
- Clever compartment frame system with a shallow 40mm frame height allows for the installation of hobs and worktops
- Top frame supplied assembled for quicker installation
- Includes brackets and screws for installation of fascia front and worktop
- The Manulift can be upgraded to an electric worktop lift, by replacing the legs and fitting safety stop strip(s) and control buttons

Optional fascia front:

- Factory fitted 40mm high aluminium compartment frame front cover
- Choice of finish / colour
- For a faster installation on site, the fascia will be factory fitted

Optional accessories:

- Cover panels* to hide the support legs for a more discreet installation
- Hose covers to hide plumbing services, while allowing easy access to the legs for height adjustments
- For a full list of accessories, please refer to the 'Installation and Help Guides' above or contact us to discuss your requirements

Technical details:

- Height adjustment: Manually adjustable 300mm in 25mm intervals
- Max. distributed load: 100kg (220lbs)
- Frame depth: 560-590mm
- Worktop depth 565-630mm (15mm shallower than worktops on fixed cabinets)
- Front height: 40mm
- Fittings supplied: Attachments for fascia fronts and worktop
- Clearance required to adjacent cabinets / surfaces (mm): 5
- Space to wall, for tiles (mm): 15
- Tiling: From 700mm above floor (alternatively right down to floor)
- Material: Aluminium frame
- **Note:**

If fitting optional cover panels*, these will have to be removed to allow for height adjustments to be made

- Dimensions for 2x cover panels: Width = width of the lift -10mm, height 438mm, thickness 12-20mm
- Order Granberg cover panels separately (Product code: 6260-240)
- Order Fitting kit for cover panels separately (Product code: 6260-005)

Warranty:

- 2 year manufacturer warranty

Please note:

- Due to the custom nature of this product, it is made-to-order and is therefore non-returnable

Manufacturer product codes:

- 6380LA-109, 6380LA-110, 6380LA-119, 6380LA-120, 6380LA-129, 6380LA-130, 6380LA-139, 6380LA-140,

Additional Information

Manufacturer	Granberg
Mounting / Model	Wall / Manulift 6380LA
Max. Load (kg / St)	100 / 15.7
Method of Operation	Manual - Gas Strut Legs
Height Adjustment (mm)	300
Mounting	Wall Mounted