



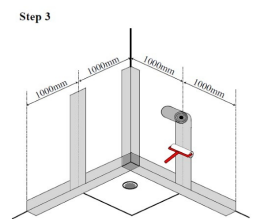
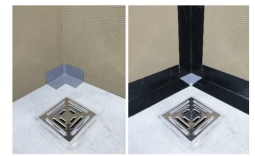
Independent 4 Life

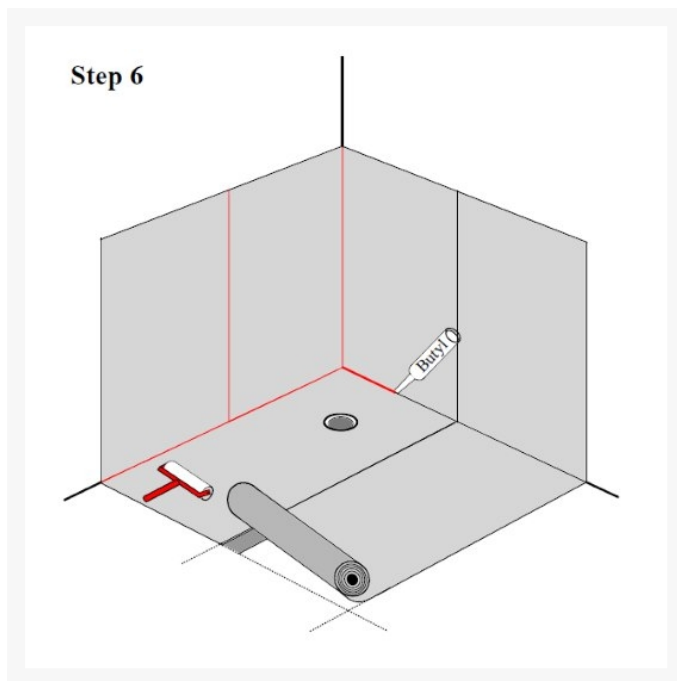
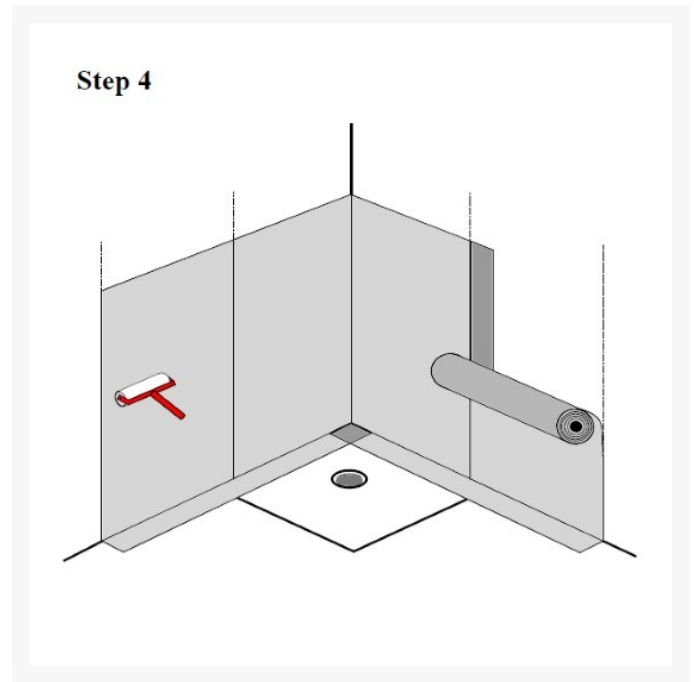
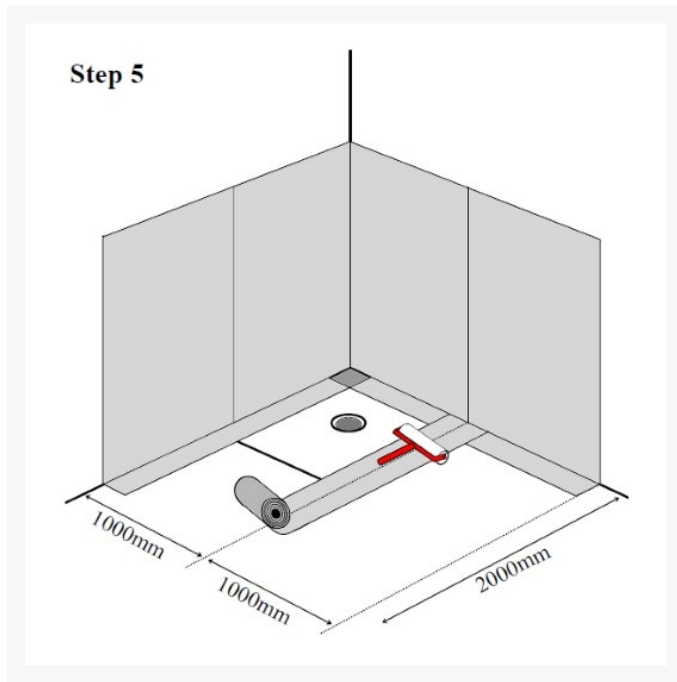
# Hydromat Double Sided Self-adhesive Butyl Joint Tape - 10m x 150mm

£43.14 Inc. VAT

Product Code: HMJT

## Product Images





## Description

---

Hydromat self-adhesive butyl double sided joint tape.

Used jointing the self adhesive butyl membrane sheet on floors and walls, vertical internal corners and horizontal floor / wall junctions.

Once the system is fully installed, tiling can be started immediately, drastically speeding up the speed of installation.

This 10m roll of Hydromat Double Sided Joint Tape can be used to supplement the Hydromat Self-Adhesive Tanking Membrane Kits available in 5 and 10m<sup>2</sup>.

### Key benefits:

- Self adhesive butyl membrane joint tape
- 10m length roll
- 150mm wide
- Split release backing for easier application when rolling into joints and joining sheets of Hydromat membrane (roller not included)
- Designed to be used with "Hydromat Tanking Sheet Membrane and Internal / External corners - Order separately" on walls and floors
- The Hydromat system can be tiled over immediately
- Suitable for use with underfloor heating

### **Installation guidance:**

- Check the substrate is sound, free of contaminants and remove any loose material
- Make sure there are no significant irregularities, any gaps should be filled
- Surfaces should be primed (order separately) and allowed to dry
- Install internal / external corners (order separately)
- From the corner of the wall mark out and apply vertical joint tapes at 1000mm centres, overlapping onto the floor tape down to the floor
- Install joint tape into the corner wall / wall joint, overlapping onto the corner down to the floor
- Install joint tape into the corner floor / wall joint, overlapping onto the corner 50mm. Do not overlap onto the vertical tape
- From the wall mark out and apply joint tapes on the floor at 1000mm centres, overlap onto the floor / wall tape
- The aim is to create one continuous tanking membrane sheet (order separately) down to the drain
- Roller over all areas for maximum adhesion before removing the top film
- Seal all edges and junctions with Butyl sealant (order separately)
- Download the PDF installation instructions, from the Installation and Help Guides "Tab" for more information

### **Also available, order separately:**

- 5 and 10m<sup>2</sup> Hydromat Self-Adhesive Butyl Tanking Membrane rolls
- 10m x 150mm Hydromat Double Sided Self-adhesive Butyl Joint Tape
- Hydromat Double Sided Self-adhesive Butyl Internal Corners
- Hydromat Double Sided Self-adhesive Butyl External Corners
- 1 Litre primer
- 310ml tube of Butyl Sealant

### **Warranty:**

- When installed correctly by a competent person and used for normal Wetroom applications this tanking system has a life-of-tiling guarantee with the manufacturer (if grout lines are maintained)
- No guarantee is offered where this is not the case

## **Additional Information**

Manufacturer	Hydromat
--------------	----------