



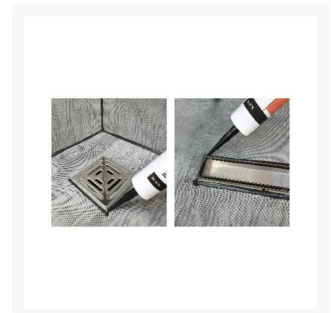
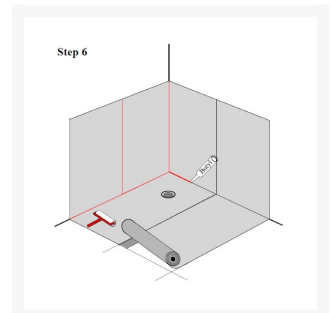
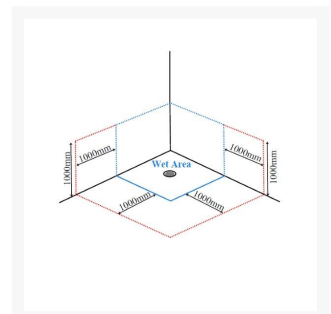
Independent 4 Life

# Hydromat Butyl Sealant - 310ml

£14.76 Inc. VAT

Product Code: HMBS

## Product Images





## Description

---

Hydromat Butyl Sealant is an integral part of the Hydromat self-adhesive butyl tanking system.

For use on both floors and walls joints, around wastes, tile frames and pipe outlets.

### Key benefits:

- Designed to be used with the "Hydromat Tanking System" around floor / wall junctions, pipe outlets and wastes
- Suitable for use with underfloor heating
- The Butyl sealant does not cure solid, it will remain permanently plastic.

### Drains without sheet membrane clamping mechanisms:

- For drains with upstands cut the membrane to fit around the upstand with a gap no greater than 5mm. Apply the Butyl Sealant, ensure sealant is pushed well into the joint
- Drains without an upstand or clamping mechanism may also be used by taking the membrane at least 30mm onto the drain body and applying sealant to the edge of the membrane

### Technical details:

- Polybutene based sealant which remains plastic
- Black in colour
- 310ml tube of Butyl sealant
- Excellent adhesion on most building materials
- Suitable for all joints with a small dilation (max. 8%)
- Resists temperatures from -20°C up to +80°C
- Surfaces should be dry, grease and dust free
- Smooth surface with a soapy solution
- Paintable after skin formation (24 hours)
- Use white spirits to clean tools

**Safety details:**

- Contains; Cobalt bis (2-ethylhexanoate)
- May produce an allergic reaction
- See Safety data sheet for more information

**Warranty:**

- When installed correctly by a competent person as part of the Hydromat system and used for normal Wetroom applications this tanking system has a life-of-tiling guarantee with the manufacturer (if grout lines are maintained)
- No guarantee is offered where this is not the case

**Additional Information**

---

Manufacturer

Hydromat