



Independent 4 Life

AWS Grooved Low-profile AL Door THR 63.5 W x 6.4mm H - Choice of Length 914 to 3048mm

From: £38.21
To: £303.48
Inc. VAT

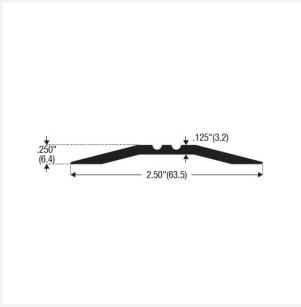
Product Code: 4LA840001

Product Images



Product Options

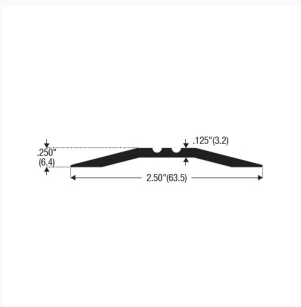
Width x Height x Length ft / mm



63.5 W x 6.4 H x 3ft / 914mm L

£31.84

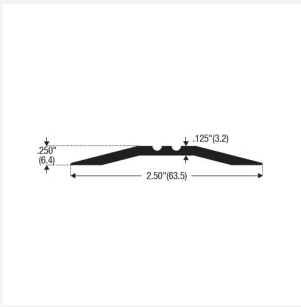
63.5mm wide low flat threshold, 6.4mm high. Aluminium, grooved mill finish, pre-drilled. Length, 914mm (3 ft).



63.5 W x 6.4 H x 4ft / 1219mm L

£38.09

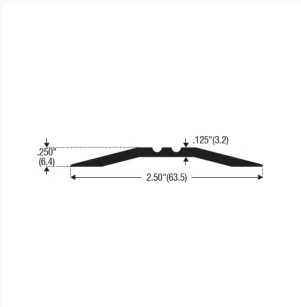
63.5mm wide low flat threshold, 6.4mm high. Aluminium, grooved mill finish, pre-drilled. Length, 1219mm (4 ft).



63.5 W x 6.4 H x 6ft / 1829mm L

£50.58

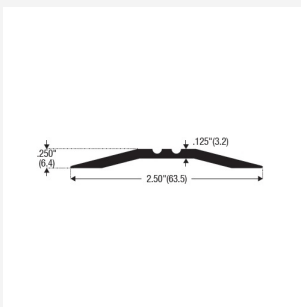
63.5mm wide low flat threshold, 6.4mm high. Aluminium, grooved mill finish, pre-drilled. Length, 1829mm (6ft).



63.5 W x 6.4 H x 7ft / 2134mm L

£56.83

63.5mm wide low flat threshold, 6.4mm high. Aluminium, grooved mill finish, pre-drilled. Length, 2134mm (7ft).



63.5 W x 6.4 H x 10ft / 3048mm L

£75.55

63.5mm wide low flat threshold, 6.4mm high. Aluminium, grooved mill finish, pre-drilled. Length, 3048mm (10ft).

Description

63.5mm wide aluminium door threshold, designed to stand up to the demands of medium duty traffic as well as temperature extremes.

Low flat threshold at only 6.4mm in height.

The 3.2mm thick aluminium allows you to screw the threshold into concrete without the difficulties you are likely to find using lighter materials - such as buckling under heavy loads or loose fixing screws.

Key benefits:

- Aluminium mill finish
- Grooved top
- Simple to install
- Supplied with pre-drilled fixing holes
- Suitable for DDA applications
- Ideal for commercial and domestic installations
- Non flammable

Technical details:

- Choice of Length: 914mm (3 ft), 1219mm (4 ft), 1829mm (6 ft), 2134mm (7 ft) and 3048mm (10 ft)
- Width: 63.5mm (2.5")
- Height: 6.4mm (0.25")
- Material: 3.2mm (0.125") thick medium gauge aluminium
- Corrosion: Successfully tested to Grade 4 (240 hours neutral salt spray exposure) in accordance with BS EN 1670:2007 Building Hardware

Installation Instructions:

- Measure and cut threshold to size as required
- Notch as necessary, to suit door frame
- Caulk underneath and around edges of threshold for moisture control
- Attach threshold to floor surface with screws provided

Additional Information

Manufacturer	AWS
Application	6.4mm Low-profile
Length (mm / feet)	914 / 3', 1219 / 4', 1829 / 6', 2134 / 7', 3048 / 10'
Width (mm / inches)	63.5 / 2.5"
Supplied Pre-drilled	Yes