



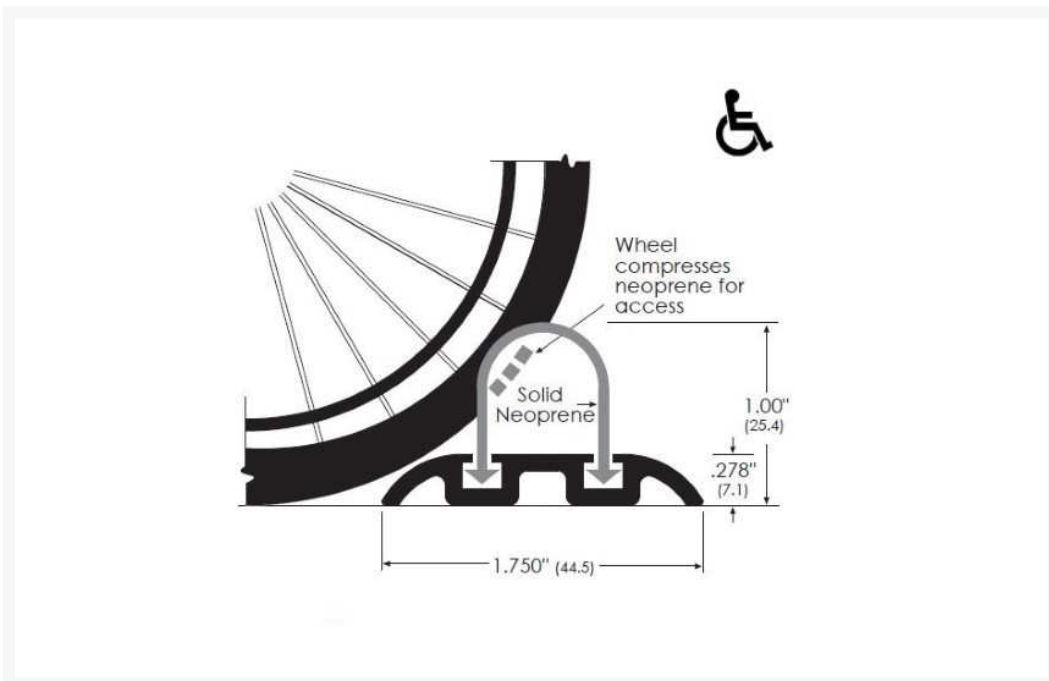
Independent 4 Life

# AWS Wet Room FL Compressible Threshold 44 W x 25mm H - Choice of Lengths 914 to 3048mm

From: £86.58  
To: £787.37  
Inc. VAT

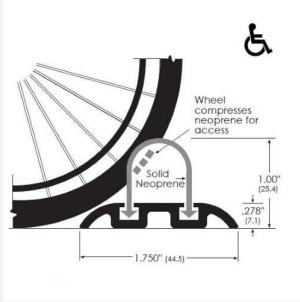
Product Code: 4LA840141

## Product Images



# Product Options

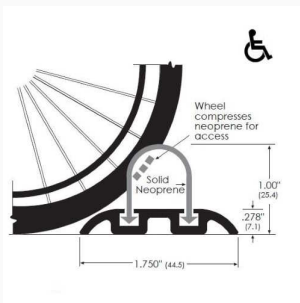
## Width x Height (10mm Compressed height) x Length (ft / mm)



**44 W x 25mm H x 3ft / 914 L**

£72.15

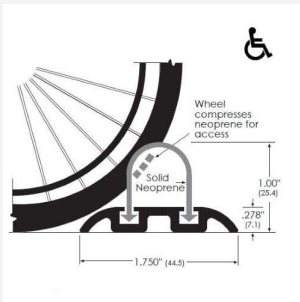
Wet room water barrier floor threshold 7mm to 25mm height, with compressible neoprene gasket for DDA. Ideal for use between wet and dry floor coverings - 914mm ( 3ft ) length.



**44 W x 25mm H x 4ft / 1219 L**

£91.85

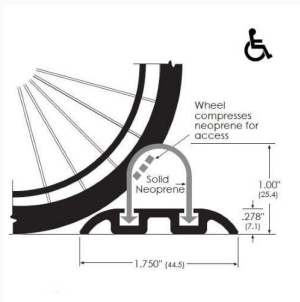
Wet room water barrier floor threshold 7mm to 25mm height, with compressible neoprene gasket for DDA. Ideal for use between wet and dry floor coverings - 1219mm ( 4ft ) length.



**44 W x 25mm H x 6ft / 1829 L**

£131.24

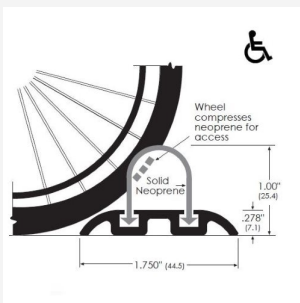
Wet room water barrier floor threshold 7mm to 25mm height, with compressible neoprene gasket for DDA. Ideal for use between wet and dry floor coverings - 1829mm ( 6ft ) length.



**44 W x 25mm H x 7ft / 2134 L**

£150.94

Wet room water barrier floor threshold 7mm to 25mm height, with compressible neoprene gasket for DDA. Ideal for use between wet and dry floor coverings - 2134mm ( 7ft ) length.



**44 W x 25mm H x 10ft / 3048 L**

£209.96

Wet room water barrier floor threshold 7mm to 25mm height, with compressible neoprene gasket for DDA. Ideal for use between wet and dry floor coverings - 3048mm ( 10ft ) length.

## Description

---

Compressible water barrier threshold, designed for use when a wet room shower area must be accessible to a wheelchair.

The 7.1mm high aluminium threshold with 18.3mm high compressible neoprene insert.

The threshold should be bedded on silicone mastic to prevent water seepage underneath your vinyl or tiled flooring and where possible without breaching your waterproofing system or underfloor heating the threshold should be screwed to the floor.

With an overall height of 25.4mm with the neoprene gasket fitted, this threshold is ideal for water containment within wet rooms while not impeding wheeled access, keeping water in while allowing the wheels to pass over easily.

### Key benefits:

- Compressible water barrier for door ways and showering areas
- Smooth curved edges on both sides
- Aluminium mill finish
- Suitable for DDA applications
- Fixing holes undrilled
- Ideal for Commercial and Domestic installations
- Simple to install

### Technical details:

- Choice of Length: 914mm (3 ft), 1219mm (4 ft), 1829mm (6 ft), 2134mm (7 ft) and 3048mm (10 ft)
- 44.5mm / 1.750" wide
- Low-profile aluminium base: 7.1mm / 0.278"
- 25.4mm / 1.0" overall height with inset compressible 2mm thick neoprene gasket
- 10mm approx. compressed height

### Installation Instructions:

- Measure and cut threshold to size as required
- Bed on silicone mastic to prevent water seepage underneath
- Use mechanical fixings if there is no underfloor heating and or wet room waterproofing system
- Slide in neoprene gasket

### Previous Product Codes:

- 4LA840142, 4LA840143, 4LA840144 and 4LA840145

## Additional Information

---

Manufacturer	AWS
Application	Wheelchair / Wet Room Floors
Length (mm / feet)	914 / 3', 1219 / 4', 1829 / 6', 2134 / 7', 3048 / 10'
Width (mm / inches)	44.5 / 1.175"
Height (mm)	25
Supplied Pre-drilled	No