



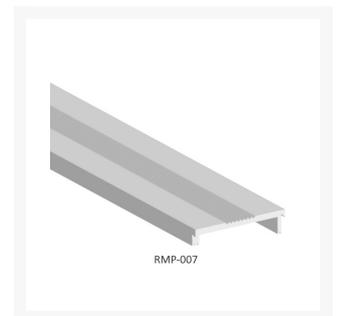
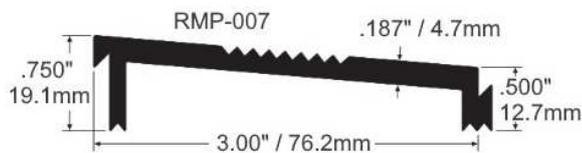
Independent 4 Life

# AWS Modular Ramp System 76 W Alu. Ramp, 6.4 Rise 12.7 to 19.1mm - Choice of Length 914 to 3048mm

From: £64.12  
To: £562.50  
Inc. VAT

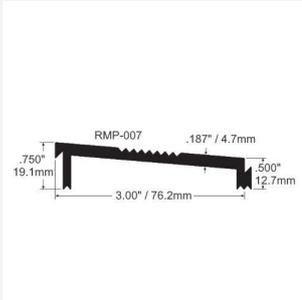
Product Code: RMP-007

## Product Images



# Product Options

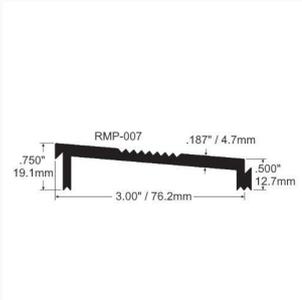
## Length / Width / Rise height (mm)



### 3ft / 914 L / 76 W / 6.4 Rise, 12.7 to 19.1mm

£53.43

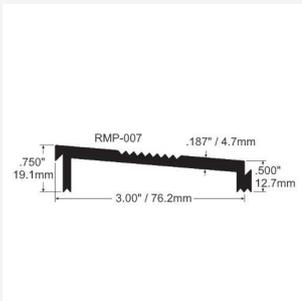
Interlocking aluminium grooved ramp section, suitable for overcoming wheeled access issues. This ramp can be used on its own as a bridge between existing floor surfaces and with RMP-001 for example to create a different width and length of ramp. Rises 6.4mm from 12.7 to 19.1mm x 76.2mm width. Gradient of 1:12. Aluminium, mill finish. Undrilled. Length (3ft) 914mm.



### 4ft / 1219 L / 76 W / 6.4 Rise, 12.7 to 19.1mm

£66.86

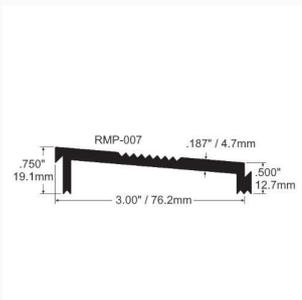
Interlocking aluminium grooved ramp section, suitable for overcoming wheeled access issues. This ramp can be used on its own as a bridge between existing floor surfaces and with RMP-001 for example to create a different width and length of ramp. Rises 6.4mm from 12.7 to 19.1mm x 76.2mm width. Gradient of 1:12. Aluminium, mill finish. Undrilled. Length (4ft) 1219mm.



### 6ft / 1829 L / 76 W / 6.4 Rise, 12.7 to 19.1mm

£93.76

Interlocking aluminium grooved ramp section, suitable for overcoming wheeled access issues. This ramp can be used on its own as a bridge between existing floor surfaces and with RMP-001 for example to create a different width and length of ramp. Rises 6.4mm from 12.7 to 19.1mm x 76.2mm width. Gradient of 1:12. Aluminium, mill finish. Undrilled. Length (6ft) 1829mm.



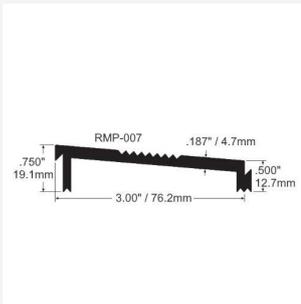
### 7ft / 2134 L / 76 W / 6.4 Rise, 12.7 to 19.1mm

£107.20

Interlocking aluminium grooved ramp section, suitable for overcoming wheeled access issues. This ramp can be used on its own as a bridge between existing floor surfaces and with RMP-001 for example to create a different width and length of ramp. Rises 6.4mm from 12.7 to 19.1mm x 76.2mm width. Gradient of 1:12. Aluminium, mill finish. Undrilled. Length (7ft) 2134mm.

**10ft / 3048 L / 76 W / 6.4 Rise, 12.7 to 19.1mm**

£147.50



Interlocking aluminium grooved ramp section, suitable for overcoming wheeled access issues. This ramp can be used on its own as a bridge between existing floor surfaces and with RMP-001 for example to create a different width and length of ramp. Rises 6.4mm from 12.7 to 19.1mm x 76.2mm width. Gradient of 1:12. Aluminium, mill finish. Undrilled. Length (10ft) 3048mm.

## Description

Aluminium grooved ramp, that rises 6.4mm from 12.7 - 19.1mm high with a total width of 76.2mm and a Gradient of 1:12.

This ramp can be used on its own as a bridge between existing floor surfaces and with RMP-001 for example to create a different width and length of ramp.

All sections of the AWS system can be interlocked together, providing the bearing surface is sound and level.

The 4.7mm gauge aluminium allows you to drill and screw the ramp into concrete without the difficulties you are likely to find using lighter materials - such as buckling under heavy loads or loose fixing screws.

### Key benefits:

- Interlocking ramp section with 6.4mm rise
- Suitable for internal and external applications
- The ramps are perfect for overcoming the problems of differences in finished floor levels
- Can be cut down and notched easily on site to suit specific requirements
- Manufactured from mill aluminium
- Grooved non-slip surface
- Suitable for DDA applications
- Supplied undrilled
- Ideal for commercial and domestic installations
- Non flammable

### Technical details:

- Choice of Length: 914mm (3 ft), 1219mm (4 ft), 1829mm (6 ft), 2134mm (7 ft) and 3048mm (10 ft)
- Width: 76.2mm (3")
- Height: 12.7mm (.500") on one side, to 19.1mm (.750") on the other
- Ramp section height increase: 6.4mm (.250")
- Gradient: 1:12
- Material: 4.7mm (0.187") thick medium gauge aluminium

### Installation Instructions:

- Measure and cut the ramp to size as required
- Notch as necessary, to suit any door frames
- For maximum stability and strength it is recommended the ramp is bedded on fast setting epoxy

adhesive / filler

- Attach ramp to the floor surface with suitable counter sunk fixing screws

## Additional Information

---

Manufacturer	AWS
Application	Modular Ramp
Length (mm / feet)	914 / 3', 1219 / 4', 1829 / 6', 2134 / 7', 3048 / 10'
Width (mm / inches)	76.2 / 3"
Gradient	1:12
Supplied Pre-drilled	No