



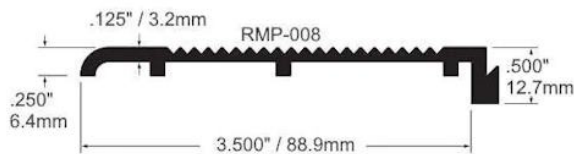
Independent 4 Life

AWS Modular Ramp System 89 W AL Trans. THR 6.4 to 12.7mm H - Choice of Length 914 to 3048mm

From: £95.45
To: £876.12
Inc. VAT

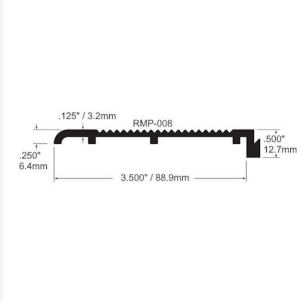
Product Code: RMP-008

Product Images



Product Options

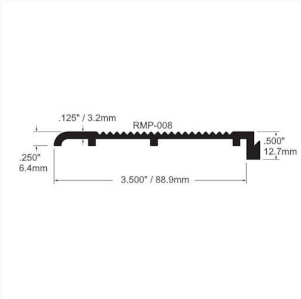
Length / Width / Transition height (mm)



3ft / 914 L / 89 W THR / 6.4 to 12.7mm H

£79.54

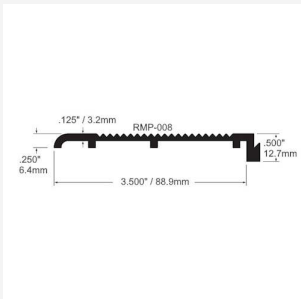
Interlocking aluminium grooved transition threshold that bridges from 12.7mm high on one side to 6.4mm high on the other, with a total width of 88.9mm. This threshold should be used with other sections from the AWS Modular Ramp System such as the RMP-001 for a 1:12 gradient or RMP-000 for a 1:8 gradient ramped threshold arrangement. Mill finish. Pre-drilled. Length (3ft) 914mm.



4ft / 1219 L / 89 W THR / 6.4 to 12.7mm H

£101.71

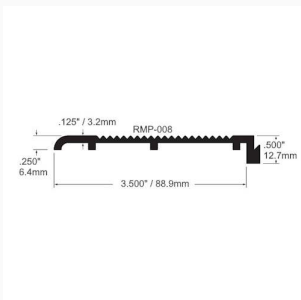
Interlocking aluminium grooved transition threshold that bridges from 12.7mm high on one side to 6.4mm high on the other, with a total width of 88.9mm. This threshold should be used with other sections from the AWS Modular Ramp System such as the RMP-001 for a 1:12 gradient or RMP-000 for a 1:8 gradient ramped threshold arrangement. Mill finish. Pre-drilled. Length (4ft) 1219mm.



6ft / 1829 L / 89 W THR / 6.4 to 12.7mm H

£146.04

Interlocking aluminium grooved transition threshold that bridges from 12.7mm high on one side to 6.4mm high on the other, with a total width of 88.9mm. This threshold should be used with other sections from the AWS Modular Ramp System such as the RMP-001 for a 1:12 gradient or RMP-000 for a 1:8 gradient ramped threshold arrangement. Mill finish. Pre-drilled. Length (6ft) 1829mm.



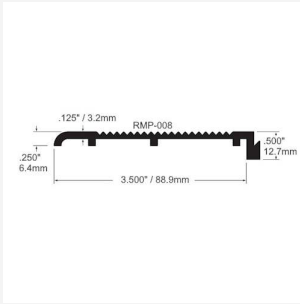
7ft / 2134 L / 89 W THR / 6.4 to 12.7mm H

£168.20

Interlocking aluminium grooved transition threshold that bridges from 12.7mm high on one side to 6.4mm high on the other, with a total width of 88.9mm. This threshold should be used with other sections from the AWS Modular Ramp System such as the RMP-001 for a 1:12 gradient or RMP-000 for a 1:8 gradient ramped threshold arrangement. Mill finish. Pre-drilled. Length (7ft) 2134mm.

10ft / 3048 L / 89 W THR / 6.4 to 12.7mm H

£234.61



Interlocking aluminium grooved transition threshold that bridges from 12.7mm high on one side to 6.4mm high on the other, with a total width of 88.9mm. This threshold should be used with other sections from the AWS Modular Ramp System such as the RMP-001 for a 1:12 gradient or RMP-000 for a 1:8 gradient ramped threshold arrangement. Mill finish. Pre-drilled. Length (8ft) 3048mm.

Description

Aluminium grooved transition threshold that bridges from 12.7mm high on one side to 6.4mm high on the other, with a total width of 88.9mm (3.500").

This threshold should be used with other sections from the AWS Modular Ramp System such as the RMP-001 for a 1:12 gradient or RMP-000 for a 1:8 gradient ramped threshold arrangement.

All sections of the AWS system can be interlocked together, providing the bearing surface is sound and level.

The 3.2mm gauge aluminium allows you to drill and screw the ramp into concrete without the difficulties you are likely to find using lighter materials - such as buckling under heavy loads or loose fixing screws.

Key benefits:

- Interlocking transition threshold section
- Suitable for internal and external applications
- Ideal for overcoming problems with differences in finished floor levels
- Can be cut down and notched easily on site to suit specific requirements
- Manufactured from mill aluminium
- Grooved non-slip surface
- Suitable for DDA applications
- Supplied pre-drilled
- Ideal for commercial and domestic installations
- Non flammable

Technical details:

- Choice of Length: 914mm (3 ft), 1219mm (4 ft), 1829mm (6 ft), 2134mm (7 ft) and 3048mm (10 ft)
- Width: 88.9mm (3.500")
- Height: 6.4mm (.250") on one side, 12.7mm (0.500") on the other
- Gradient: 1:1
- Material: 3.2mm (0.125") thick gauge aluminium

Installation Instructions:

- Measure and cut the transition threshold to size as required
- Notch as necessary, to suit any door frames
- For maximum stability and strength it is recommended the transition threshold is bedded on fast setting epoxy adhesive / filler

- Attach the transition threshold to the floor surface with suitable counter sunk fixing screws

Additional Information

Manufacturer	AWS
Application	Modular Ramp
Length (mm / feet)	914 / 3', 1219 / 4', 1829 / 6', 2134 / 7', 3048 / 10'
Width (mm / inches)	88.9 / 3.50"
Transition Height (mm / inches)	12.7 / 0.50"
Supplied Pre-drilled	Yes