



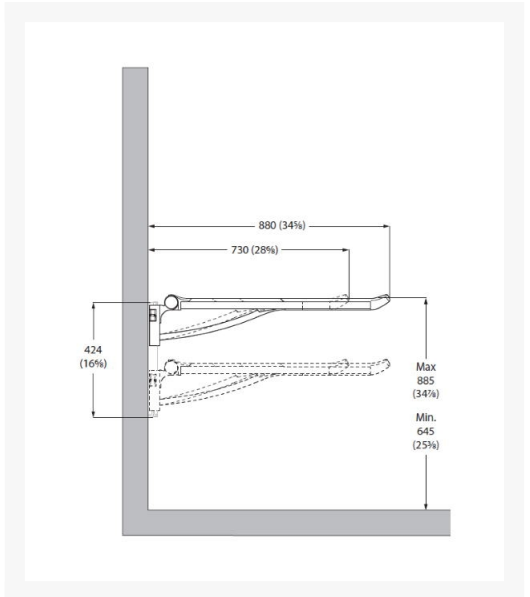
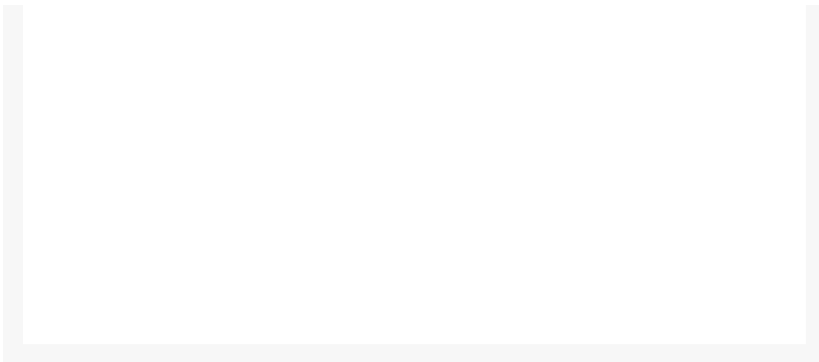
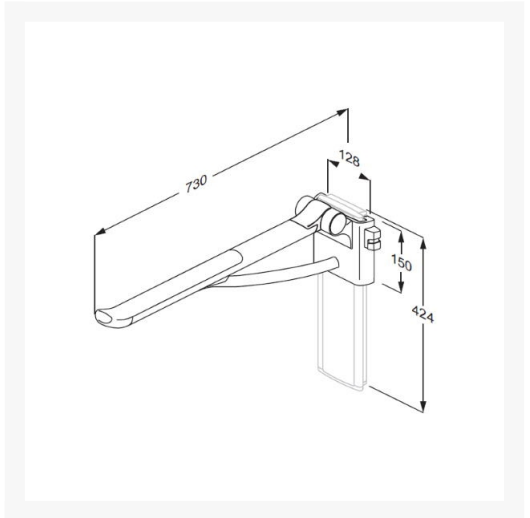
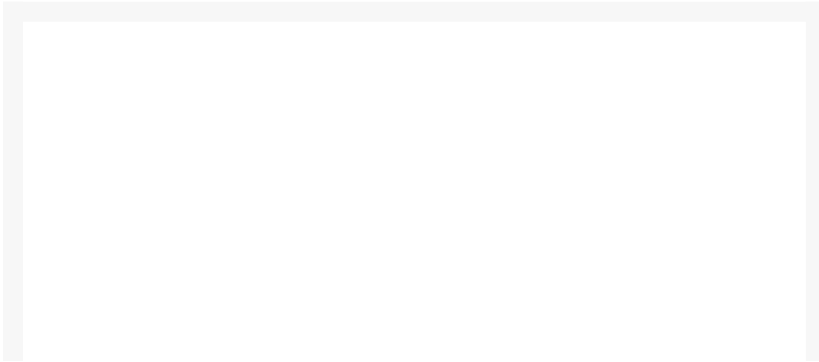
Independent 4 Life

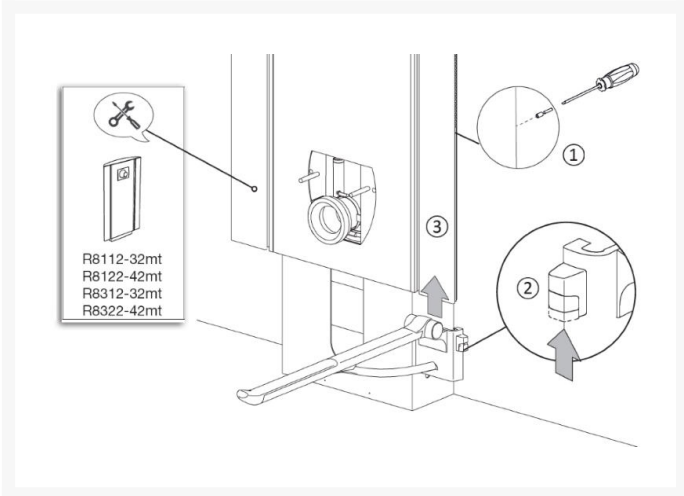
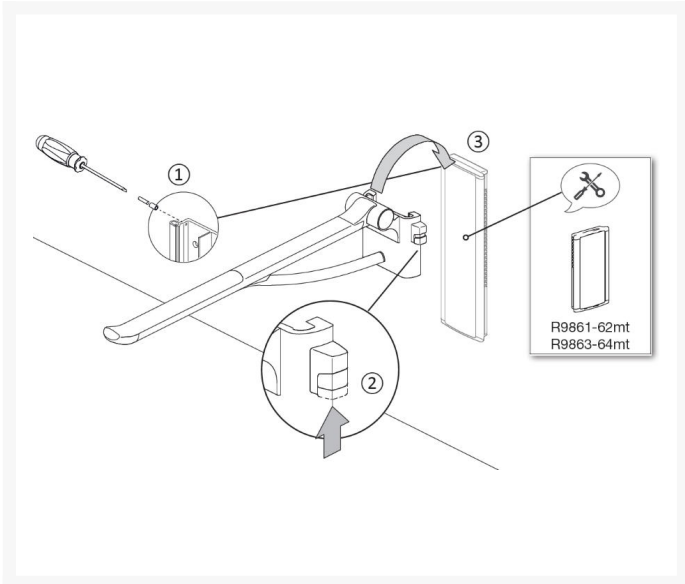
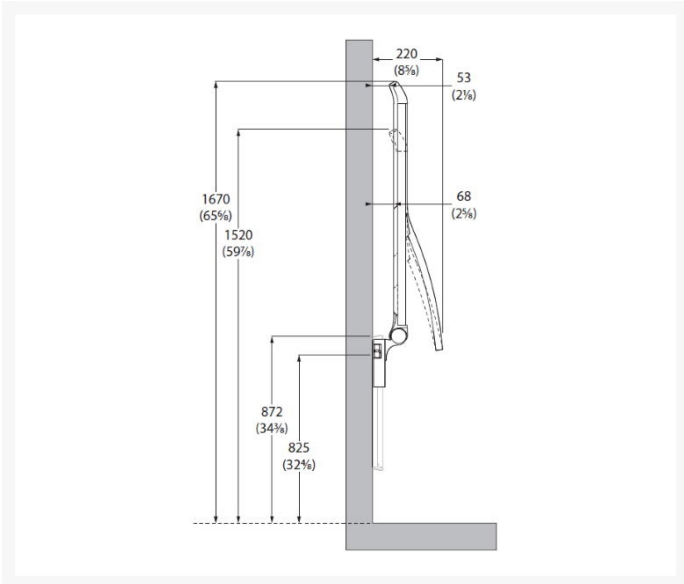
# **Pressalit PLUS 700mm Counterbalanced Support Arm for SELECT Side Profiles & PLUS VERT Tracks (RH operated) - Choice of Colour**

£430.80 Inc. VAT

Product Code: R371470xxx

# Product Images







## Product Options

---

Colour	Price Inc. VAT
Pressalit White 000	£430.80
Pressalit Red 035	£474.00
Pressalit Dark Blue 108	£474.00
Pressalit Anthracite 112	£430.80
Pressalit Lime Green 277	£474.00

## Description

---

PLUS counterbalanced support arm, that is foldable, 700mm in actual length, ergonomically shaped to provide a clear sense of where the support arm ends.

Vertically adjustable for the Select side profiles located either side of the manual and electric toilet lifters. Also suitable for the right-hand operated grooved vertical 210 or 400mm length PLUS wall tracks.

The support arm is used as a support for sitting down or getting up from a toilet, or for sideways transfer from a wheelchair.

The oval shape gives an easy and comfortable surface to lean and push against.

This support arm is supplied with the vertical track bracket only, and should be mounted on a Plus vertical wall track (not included) or the Wide Select Toilet Lifter.

Suitable for use with toilet pans projecting 540/550mm.

### Key benefits:

- Slides onto the right handed Pressalit PLUS vertical wall tracks 210 and 400mm lengths and the SELECT

Toilet Lifter right Side Profile (not included)

- Actual length of support arm 700mm
- Right-hand grip lock operated
- Counterbalanced mechanism that prevents the support arm moving unless guided up or down
- Can be folded when not in use to create more room space
- Ergonomic grip for weak hands
- Soft and slip-resistant material that has a warm feel
- The oval shape gives an easy and comfortable surface to lean and push against
- The end of the support arm is enlarged so that it is easier to pull forward from a sitting position
- Provides a clear sense of where the support arm ends
- The underside is shaped for the mounting of various accessories
- For indoor use in a wet environment, such as a bathroom or a washroom, in private homes, nursing homes and hospitals
- Doc M compliant
- Range of colours available

### **Counterbalanced mechanism:**

- Prevents the support arm moving unless guided up or down
- For example, if you take it to 45° it will stay at 45° until you push it back up or pull it down further

### **Technical details:**

- Total projection from wall, including vertical wall track (not included) (mm): 730
- Actual length of support arm (mm): 700
- Top of rail distance from the wall / face of Select Side Profile when folded (mm): 53
- Inner grab distance from the wall / face of Select Side Profile when folded (mm): 68
- Total arm projection - Distance from the wall / face of Select Side Profile when folded (mm): 220
- Width of track bracket (mm): 128
- Height of track bracket (mm): 150
- Right-hand push button lock, works with the grooved track
- Use with toilet pans projecting (mm): 540/550
- Max. load (kg): 150
- Weight (kg): 2.79

### **Materials:**

- Arms are primarily constructed in 10-micrometre anodized aluminium, with a non-slip gripping surface made of soft SEBS incorporating a glass-reinforced nylon core
- Hinge arm is also made of soft SEBS. Internal components and fasteners are primarily made of stainless steel
- Hinge barrel is capped with ABS polymer

### **Compatibility:**

- Pressalit PLUS Wall Track, Grooved, 210mm for Right Hand Operated Support Arms (Product code: R9862112)
- Pressalit PLUS Wall Track, Grooved, 400mm for Right Hand Operated Support Arms (Product code: R9874112)
- Pressalit SELECT Toilet Lifters, manual and electric, wall and floor outlets, With Side Profiles

### **Warranty:**

- 5 year manufacturer warranty

### **Manufacturer product codes:**

- R371470000, R371470112, R371470035, R371470108, R371470277

**Former manufacturer codes:**

- The Pressalit PLUS range has superseded several former Pressalit products
- This item has replaced: R3106, RF106, R3127, RF127, RF127000, RF127112, RF127026, RF127035, RF127108, RF127277
- Please check for any changes to the product specification
- Please also note that items in the PLUS range cannot be mounted onto older Pressalit wall tracks, and vice versa

## Additional Information

---

Manufacturer	Pressalit
Type	Hinged Arm Support
WC Projection (mm)	540/550
Mounting	Pressalit Vertical Track, Pressalit Select Side Profiles
Arm Control	Counterbalanced
Adjustable	Height Adjustable
Length (mm)	700
Surface Finish	Soft & Slip-Resistant - "Not Cool to Touch"
Material	Aluminium
Fixings	Concealed