



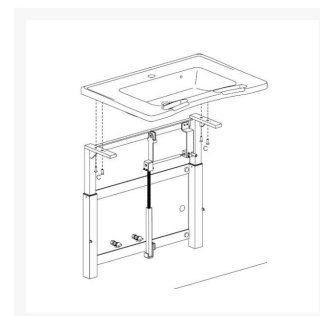
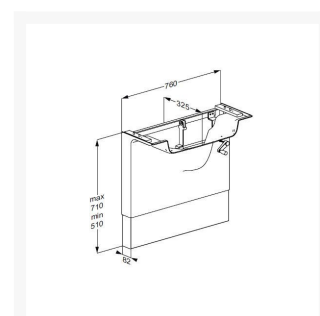
Independent 4 Life

Pressalit MATRIX Manual Basin Unit, for Matrix Medium Basins R2120 & R2121

£1,943.70 Inc. VAT

Product Code: R4825000

Product Images



Description

Manual height adjustable wash basin lift from the Pressalit MATRIX range with hand cranked adjustment for mounting the Pressalit Matrix Medium vanity wash basins.

The cranked handle provides 200mm of continuous step-less adjustment, between 510-710mm when

www.independent4life.co.uk | info@independent4life.co.uk | Tel: 0800 500 3001 | VAT No: 942447711

EORI GB942447711000

mounted at floor level.

Wall mounted, with a white installation cover, concealed flexible feed / waste system and a shallow trap for a hygienic installation.

Key benefits:

- 200mm Stepless manual adjustment
- Hand cranked up/down control - allows the user to adjust the height of the basin themselves
- The hand crank is located to the right hand side of the basin lift
- Suitable for regular height adjustments - ideal for multi-user environments
- Concealed plumbing
- Smooth surfaces are easy to clean and attractive to look
- The sleek design greatly facilitates cleaning
- Includes WRAS approved flexible feeds and waste kit
- Includes fixing kit for the wash basin (excludes wall fixing kit)

Only compatible with ergonomic Matrix Medium vanity wash basins (Order separately):

- Both the sinks have grab handles at the front, that also function as a towel rail
- Product Code: R2120000 - with Overflow
- Product Code: R2121000 - without Overflow

Technical details:

- Height adjustment range (mm): 200
- Width (mm): 760
- Min. Height of bracket (excluding basin) (mm): 510
- Max. Height of bracket (excluding basin) (mm): 710
- Total projection from the wall (excluding basin) (mm): 325
- Depth of lower pedestal (mm): 82
- Weight (kg): 19.26
- Max user weight, including the wash basin (kg): 206
- Note: Care should be taken to avoid entrapment either side of the basin lift

Materials:

- Wash basin lifter: Powder-coated steel
- Front and the bottom covers: Made of White polystyrene (PS)

Declaration of conformity:

- This product is in compliance with all relevant requirements of regulation (EU) 2017/745 on medical devices
- It also complies with all relevant requirements in the Council Directive 2006/42/EC (of 17 May 2006) on machinery

Warranty:

- 5 year manufacturer warranty

Additional Information

Manufacturer	Pressalit
Bracket Range	Pressalit MATRIX
Bracket Operation	Manual
Bracket Adjustment	Hand Cranked
Height Adjustment (mm)	200
For Wash Basin Range	MATRIX Medium
Bracket Mounting	Floor
Safety Stop	No