



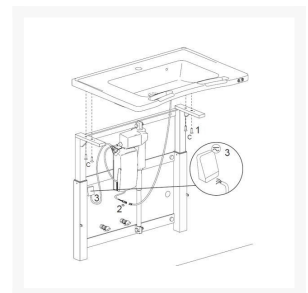
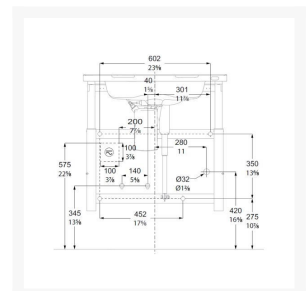
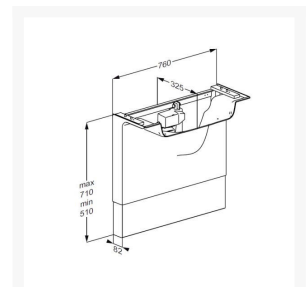
Independent 4 Life

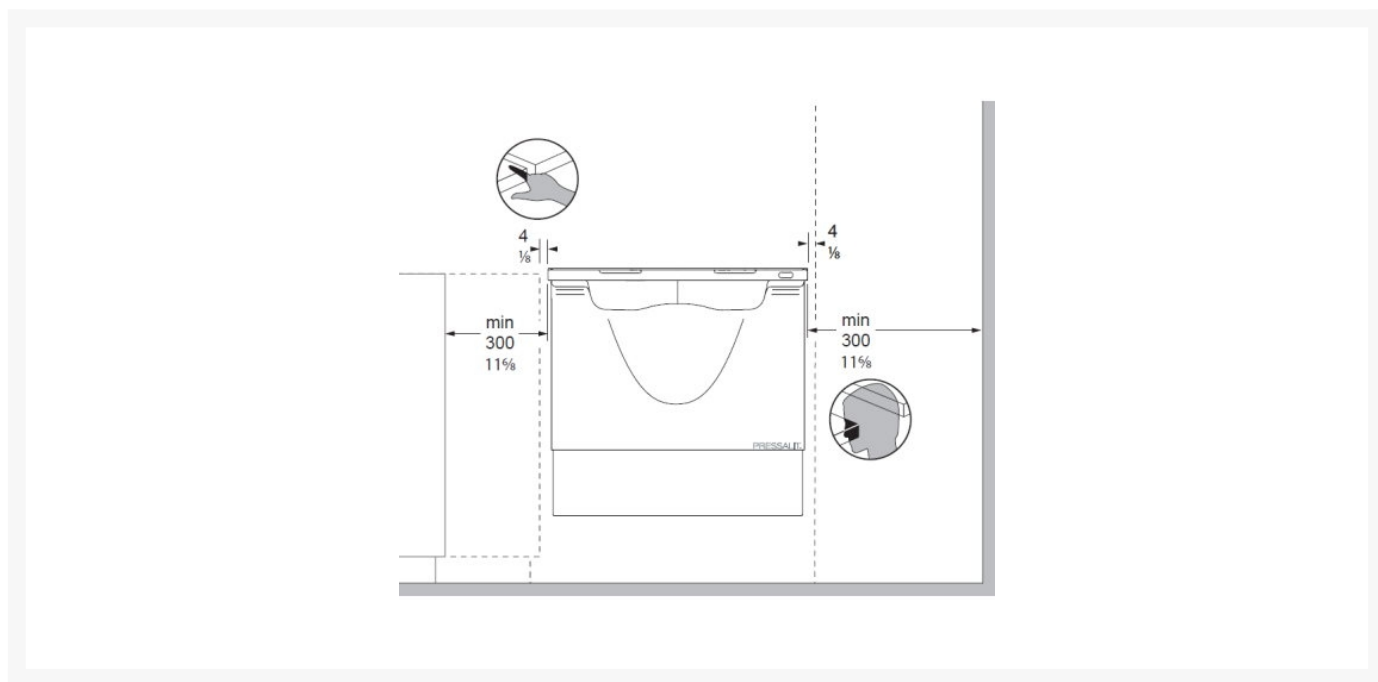
Pressalit MATRIX Powered Basin Unit, for Matrix Medium Basins R2122 & R2123

£2,174.40 Inc. VAT

Product Code: R4827000

Product Images





Description

Powered height adjustable wash basin lift from the Pressalit MATRIX range. Operated via the up/down buttons located in the right hand front edge of the Pressalit Matrix Medium vanity wash basins (order separately).

Electric height adjustable 200mm of continuous step-less adjustment, between 510-710mm when mounted at floor level, excluding the wash basin.

Wall mounted, with a white installation cover, concealed flexible feed / waste system and a shallow trap for a hygienic installation.

Key benefits:

- 200mm Stepless manual adjustment
- Electrically height adjustable - allows the user to adjust the height of the basin themselves
- Up/Down buttons are located in the right hand side of the MATRIX vanity basins
- Suitable for regular height adjustments - ideal for multi-user environments
- Concealed plumbing
- Smooth surfaces are easy to clean and attractive to look
- The sleek design greatly facilitates cleaning
- Includes WRAS approved flexible feeds and waste kit
- Includes fixing kit for the wash basin (excludes wall fixing kit)

Only compatible with ergonomic Matrix Medium vanity wash basins (Order separately):

- Both the sinks electric up/down buttons and have grab handles at the front, that also function as a towel rail
- Product Code: R2122000 - with Overflow
- Product Code: R2123000 - without Overflow

Technical details:

- Height adjustment range (mm): 200
- Width (mm): 760
- Min. Height of bracket (excluding basin) (mm): 510
- Max. Height of bracket (excluding basin) (mm): 710
- Total projection from the wall (excluding basin) (mm): 325
- Depth of lower pedestal (mm): 82
- Weight (kg): 19.26
- Max user weight, including the wash basin (kg): 166
- Speed, up (mm/s): 11
- Speed, down (mm/s): 5
- Noise level (dB): 48
- Note: Care should be taken to avoid entrapment either side of the basin lift

Electrical technical details:

- Please refer to the PDF download for the installation instructions
- Mains connection (V): 230
- Mains cable length to Transformer (mm): 3500
- Current (A): 3.7
- Hz: 50-60
- Electrical rating (IP): IPX6
- Power consumption (max. load) (W): 70
- Power consumption (standby) (W): 1.5
- Actuator (motor): LA31 Careline, (Linak), 1500N, IPX6
- Control box: CB9 Careline, (Linak), IPX6
- Note: Upon installation the 2-pin plug must be removed and hard wired to a separate switched circuit not exceeding 30 mA, as per electrical regulations

Materials:

- Wash basin lifter: Powder-coated steel
- Front and the bottom covers: Made of White polystyrene (PS)

Declaration of conformity:

- This product is in compliance with all relevant requirements of regulation (EU) 2017/745 on medical devices
- It also complies with all relevant requirements in the Council Directive 2006/42/EC (of 17 May 2006) on machinery and the Council Directive 2011/65/EC on RoHS

Warranty:

- 5 year manufacturer warranty

Additional Information

Manufacturer	Pressalit
Bracket Range	Pressalit MATRIX
Bracket Operation	Electric
Bracket Adjustment	Electric (Via Buttons on Sink)
Height Adjustment (mm)	200
For Wash Basin Range	MATRIX Medium
Bracket Mounting	Floor
Safety Stop	No