



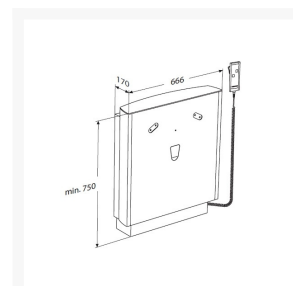
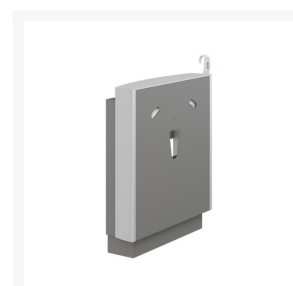
Independent 4 Life

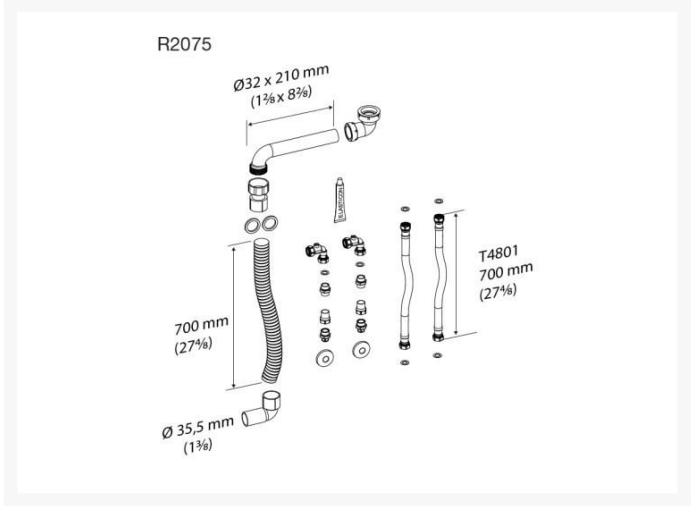
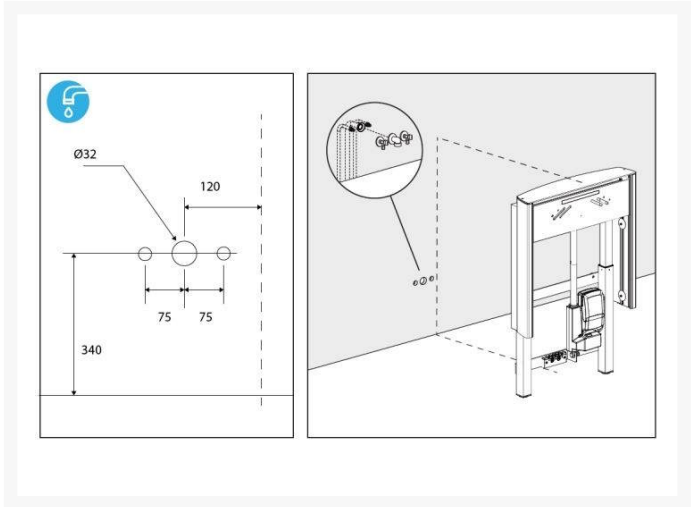
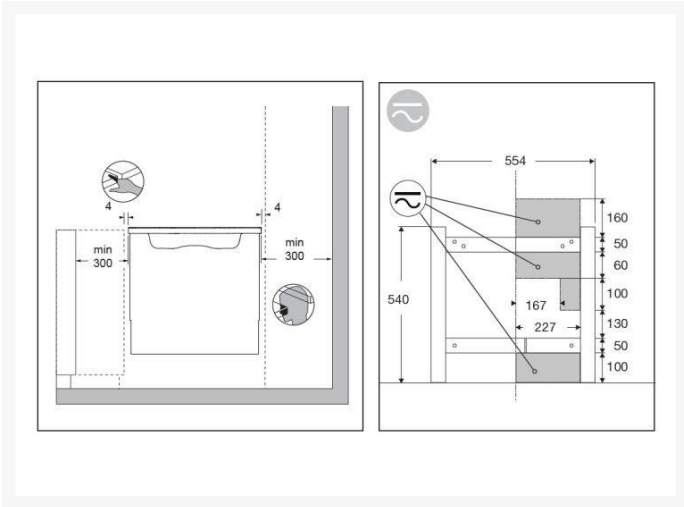
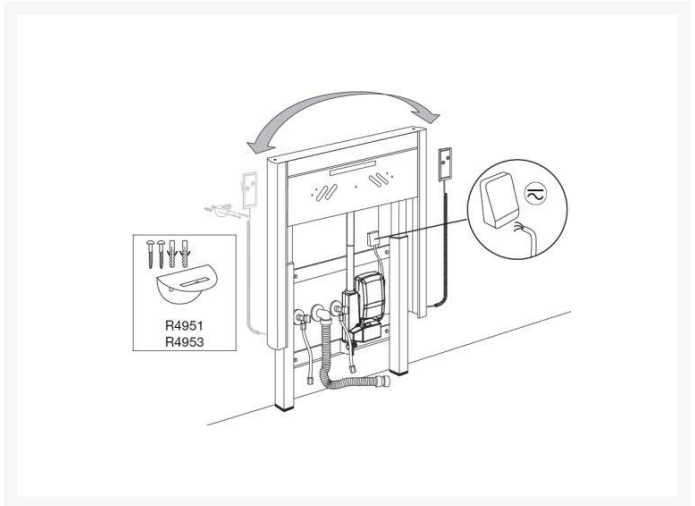
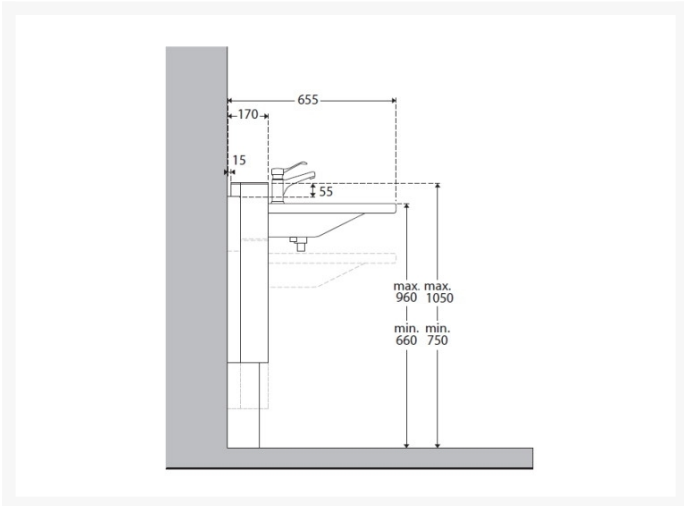
Pressalit SELECT Wash Basin Bracket, Wired Hand Control - Colour Choice

£2,551.50 Inc. VAT

Product Code: R4951xxx

Product Images





Product Options

Colour	Price Inc. VAT
Pressalit Anthracite 112	£2,551.50
Pressalit White 000	£2,551.50

Additional Options

Product Code / Optional Pressalit feed and waste kit	R2075 / 700mm Flexible Feeds & 700mm Flexible Waste System	£219.95
---	--	---------

Description

Electric height adjustable washbasin lift from the Pressalit SELECT range with a wired hand control. For mounting the Pressalit Matrix Curve, Curve II or Matrix Small wash basins.

Wired hand controlled, it provides 300mm of continuous step-less adjustment, between 670-970mm when mounted at floor level.

The basin lift front panel is available in 2 colours, Anthracite grey and White.

Key benefits:

- 300mm Stepless electrical adjustment
- Electrically operated with wired hand control - allows user to adjust the height of the basin themselves
- The height of the wash basin is easily adjusted by means of the wired hand control
- Suitable for regular height adjustments - ideal for multi-user environments
- Hygienic concealed plumbing (Optional extra - Product code: R2075 feed and waste kit)
- Smooth surfaces are easy to clean and attractive to look
- The sleek design greatly facilitates cleaning
- Includes fixing kit for basin (excludes wall fixing kit)

Compatibility:

- Compatible with the Pressalit Matrix Curve, Curve II and Matrix Small washbasins
- Possibly compatible with other washbasin manufacturers, please refer to the installation guidance and technical specifications

Technical details:

- Height adjustment range (mm): 300
- Width (mm): 666
- Min. Height of bracket (mm): 750
- Total projection from the wall (excluding basin) (mm): 170
- Hand control cable length (mm): 3500
- Weight (kg): 28

- For washbasins weighing (kg): 16-22
- Max load (including washbasin) (kg): 150
- Speed, up (mm/s): 21
- Speed, downwards (mm/s): 21
- Noise level (dB): 45
- Note: Care should be taken to avoid entrapment either side of the basin lift

Electrical technical details:

- Please refer to the PDF download for the installation instructions
- Duty cycle: The motor can be used for a maximum of 2 minutes of continuous operation, followed by 18 minutes pause
- Mains connection (V): 230
- Mains cable length to Transformer (mm): 3500
- Current (A): 3.7
- Hz: 50-60
- Electrical rating (IP): IPX4
- Power consumption (max. load) (W): 75
- Power consumption (standby) (W): 1.5
- Actuator (motor): LA31 Careline, (Linak), 1500N, IPX4
- Control box: CB9 Careline, (Linak), IPX6
- Wired remote control: HB3 (Linak), IP66
- Note: Upon installation the 2-pin plug must be removed and hard wired to a fused spur, as per electrical regulations

Materials:

- Wash basin lifter: Mainly constructed of anodised aluminium
- Front plate and the bottom plate: Made of polystyrene (PS)
- Wired hand control: Encased in polypropylene

Declaration of conformity:

- CE UK MDR-MASK-RoHS This product is in compliance with all relevant requirements of:
- Regulation (EU) 2017/745 on medical devices
- It also complies with all relevant requirements in the Council Directive 2006/42/EC (of 17 May 2006) on machinery and the Council Directive 2011/65/EC on RoHS
- Medical Device Regulation (MDR) 2002 on medical devices
- Supply of Machinery (Safety) Regulations 2008
- Restriction of the Use of Certain Hazardous Substances in Electrical and Electronic Equipment Regulations 2012

Optional Pressalit recommended waste kit

- 700mm Flexible Feeds and 700mm Flexible Waste System (Product Code: R2075)

Warranty:

- 5 year manufacturer warranty

Manufacturer product codes:

- R4951000, R4951112

Additional Information

Manufacturer	Pressalit
Bracket Range	Pressalit SELECT
Bracket Operation	Electric
Bracket Adjustment	Wired Hand Control
Height Adjustment (mm)	300
For Wash Basin Range	MATRIX Curve, MATRIX Curve II, MATRIX Small
Bracket Mounting	Floor & Wall
Safety Stop	No