



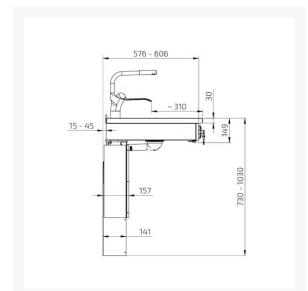
Independent 4 Life

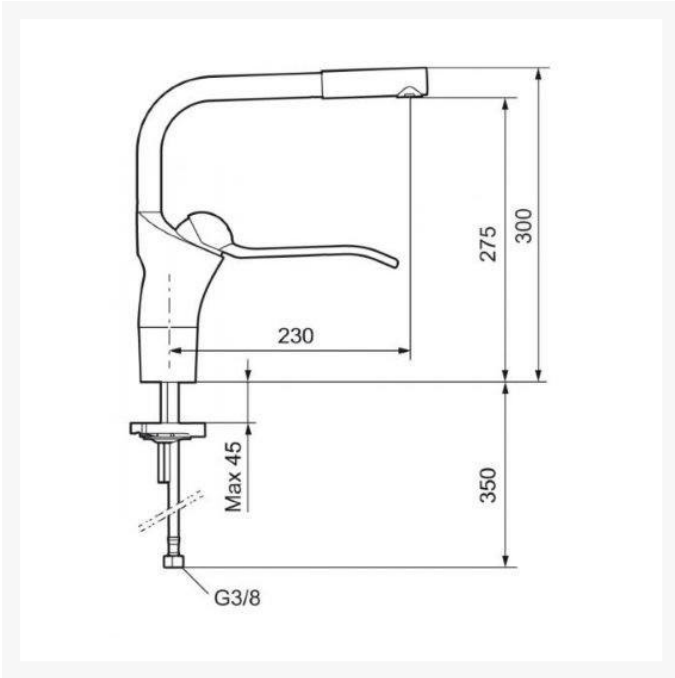
Granberg Wall Mounted Motorised Sink Module 6300-ESF - Right, Choice of Widths 990-1190mm

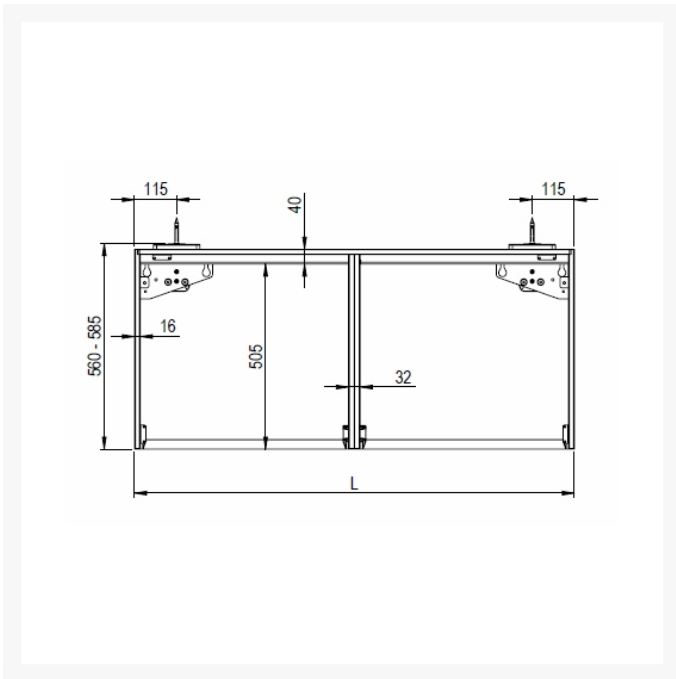
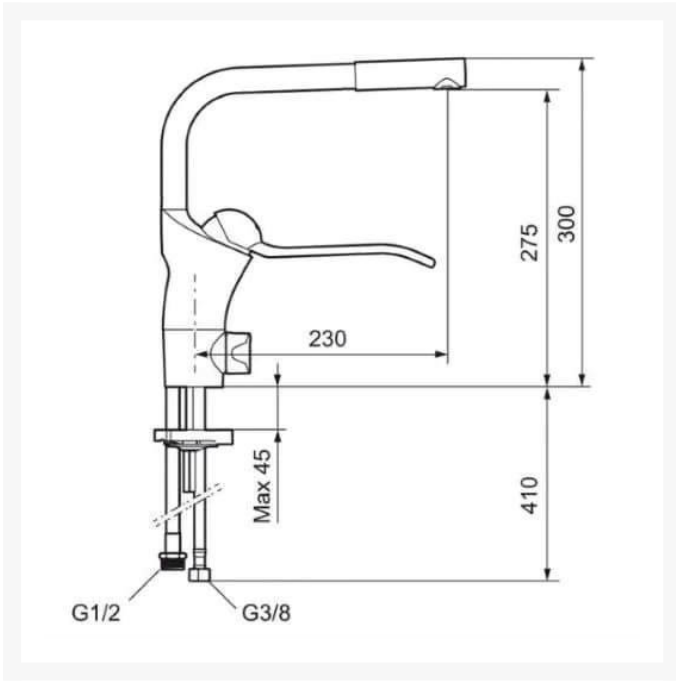
£4,850.40 Inc. VAT

Product Code: 6300-ESF-R

Product Images







Product Options

Frame Width (mm)	Price Inc. VAT
990	£4,850.40
1190	£5,304.00

Additional Options

Control Button / Key Lock - Please detail where you would like these situated (i.e. left, right, centre)		£0.00
Additional safety stop strips if required (front edge included as standard)	Left side	£204.30
	Right side	£204.30
Optional - Granberg mixer tap, with 500mm flexible water hoses & Tap hole cutter	Incl. dishwasher shut off (Not WRAS approved)	£482.40
	Without dishwasher shut off (Not WRAS approved)	£482.40

Description

Granberg Sink Module 6300-ESFR, a wall mounted electric worktop lift with 300mm of step less height adjustment.

Smooth stainless worktop/drying area, right hand single bowl shallow depth kitchen sink and overflow with an insulated sink bowl to prevent scalding of users knees/legs.

Choice of optional Granberg FM Mattsson kitchen monobloc mixer taps, 190mm easy to reach lever with a swivel spout - with or without dishwasher cut-off valve.

The underside of the ESF stainless steel worktop/drying area is supported by a fully-glued MDF board.

The ALU-design control button and safety lock will be pre-fitted in the front fascia, the rear cover panels are easy to fit and hide the legs and services.

Compatible with any kitchen manufacturer this complete electric worktop lifting system is easy and quick to install with "Plug and Play" electronics and motor systems.

The modules are manufactured 10mm shorter in width, to allow for a 5mm clearance gap at both ends for safe movement, ideal for the direct replacement of 1000 and 1200mm width cabinets. The module has a reduced depth of 15mm to accommodate splashbacks and wall tiles.

The anti-pinch safety strip is located under the front edge of the worktop front fascia. If anything touches the strip, the lift unit stops. Side safety strips are available as an optional extra.

Electric floor standing systems or Manual wall mounted variations are also available.

Key benefits:

- Right hand kitchen sink module with 300mm of motorised height adjustment, 730-1030mm above the floor
- The wall mounted legs are concealed by 2x matt white sliding cover panels with 2x dark grey coloured steel end plates
- Tilt able worktop plane for adjustment
- Full extension drawers can be added, as a factory fitted option - (Contact us if required)
- Range of widths 990 and 1190mm to suit standard kitchen base unit spaces: 1000 and 1200mm

- The modules are 10mm shorter in width to allow for a 5mm gap both sides of the unit for the up/down movement
 - Adjustable depth 576-606mm including the Alu. front to suit adjoining cabinets and worktops
 - 100mm free space below the foot of each leg for services
 - Quick solution, top frame supplied pre-assembled for fast site installation
 - Simple 'plug and play' setup for easy motor configuration
 - Granberg corded control button ALU-design 82 x 82 x 17mm, with large easy to use up/down buttons
 - White Powder Coated RAL 9003 aluminium 103mm fascia front with plastic end caps
 - The control button and key lock are factory fitted in the fascia front in your specified position
 - Right hand ESF stainless steel worktop / drying area with one 120mm deep shallow bowl sink, overflow and flexible waste kit
 - Insulated underside of the sink bowl to prevent scalding of users knees/legs
 - Optional Granberg FM Mattsson (FMM) kitchen monobloc mixer tap with 190mm easy reach lever and swivel spout that can be adjusted to 60°, 85°, 110°, 360° or fixed
 - Pair of flexible Water Hoses 2-pack, 3/8", length 500mm with Tap connectors for FMM taps
- Optional choice of tap style:**
- - 60210 FMM Inc. dishwasher shut off valve (Not WRAS approved)
 - - 60211 FMM Excl. dishwasher shut off valve (Not WRAS approved)
 - All components available separately

Integrated safety system:

- Anti-pinch safety stop strip located below the front edge of the worktop frame
- This strip prevents the lift from descending if contact is made
- Additional side safety stop strips can be added, required if the worktop is situated adjacent to other furniture* or objects like a waste bin
- *When correctly installed the frames underside from the floor should be 597mm at its lowest and 897mm at the highest point. Entrapment should be prevented with adjoining surfaces

Sink Module 6300-ESF Right includes:

- Wall mounted motorised 6300 worktop lift with 2x leg motors
- Control button, ALU-design
- Safety lock with keys
- Safety stop system under the front edge of the worktop frame
- 2x 12mm matt white melamine cover panels hide service installations under the worktop
- White aluminium front fascia
- Smooth stainless steel worktop and drying area with raised perimeter
- Brushed aluminium rear edge trim
- Right handed ESF worktop/drying area, one 120mm shallow depth sink bowl, shallow trap, strainer waste and a flexible waste kit
- Optional choice of Granberg FMM Mixer tap with long lever with or without dishwasher cut-off valve, and flexible water hoses

Recommended accessories:

- Full extension, push-to-open integrated drawers
- Cutlery trays
- Power Switch
- 2 Button multi-compartment frame
- Mini cabinet on wheels

Technical details:

- Height adjustment: Motor-driven, steplessly adjustable by 300mm (730 - 1030mm)
- Speed: 30mm / sec.
- Safety: Security strip, contact with the strip stops the lift
- Electrical connection: Mains plug for 230 V, max 5.0 A
- Max. distributed load / Lifting force: 100kg (220lbs)
- IP-class: IP 20
- Frame depth: 576 - 606mm from the wall (Incl. front)
- Tilt able worktop plane for adjustment
- Front height: 103mm
- All fittings for assembly supplied wall fixings are not included
- Space to adjoining wall / cabinet side (mm): 5
- Space to wall (for tiles): 15mm
- Tiling: From 700 mm above the floor (alternatively tile down to floor level)
- Worktop frame Material: Aluminium frame
- ESF sink: Smooth 1mm stainless steel sheet
- Bowl size: 293mm width x 400mm depth x 120mm deep
- Shallow trap, strainer waste and a flexible waste kit

Stainless steel worktop:

- Hygienic and wear-resistant drying area
- Smooth 1mm stainless steel sheet with a raised edge perimeter
- The underside of the stainless steel worktop is supported by a fully-glued MDF board
- Overall thickness of worktop: 30mm

Warranty:

- 2 year manufacturer warranty

Please note:

- Due to the custom nature of this product, it is made-to-order and is therefore non-returnable
- The Tap hole is not pre-drilled

Additional Information

Manufacturer	Granberg
Mounting / Model	Wall / Sink Module
Max. Load (kg / St)	100 / 15.7
Method of Operation	Electric - Push Button
Height Adjustment (mm)	300
Mounting	Wall Mounted