



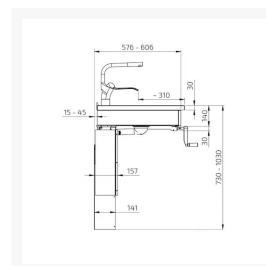
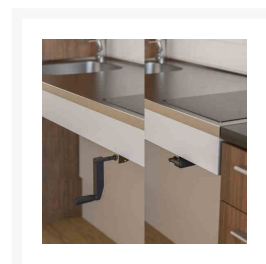
Independent 4 Life

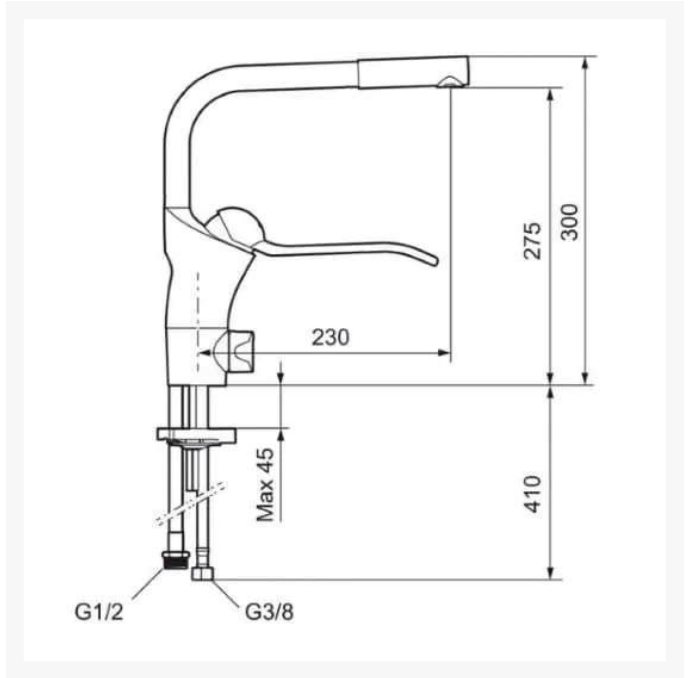
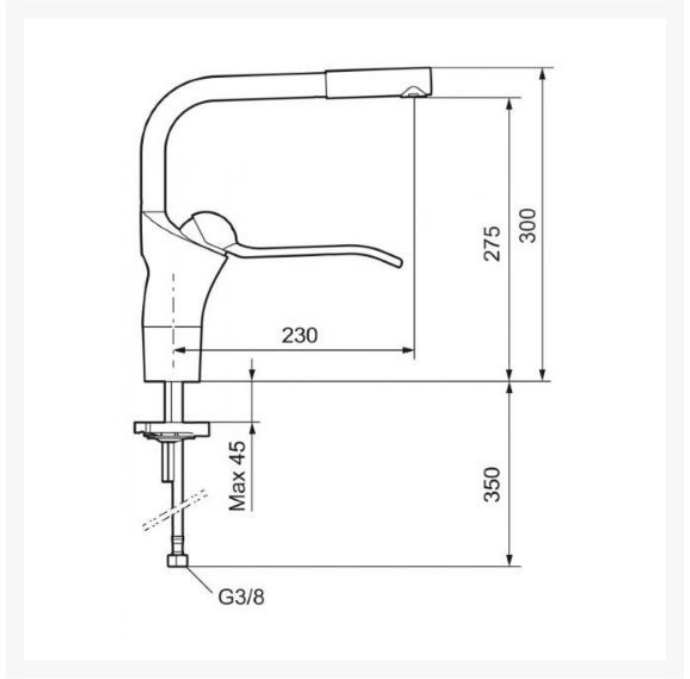
# Granberg Wall Mounted Cranked Combi Kitchen Module 6350-ESHS4 - Right, Choice of Widths 2190 / 2390mm

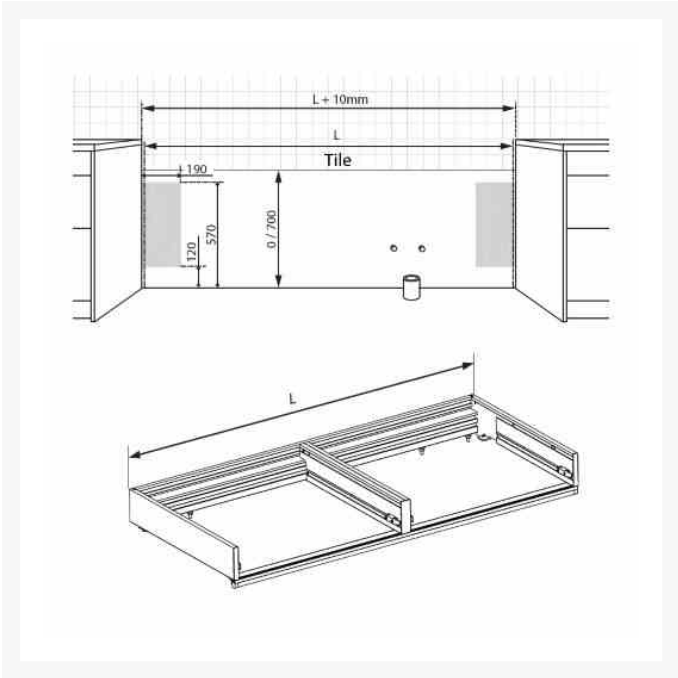
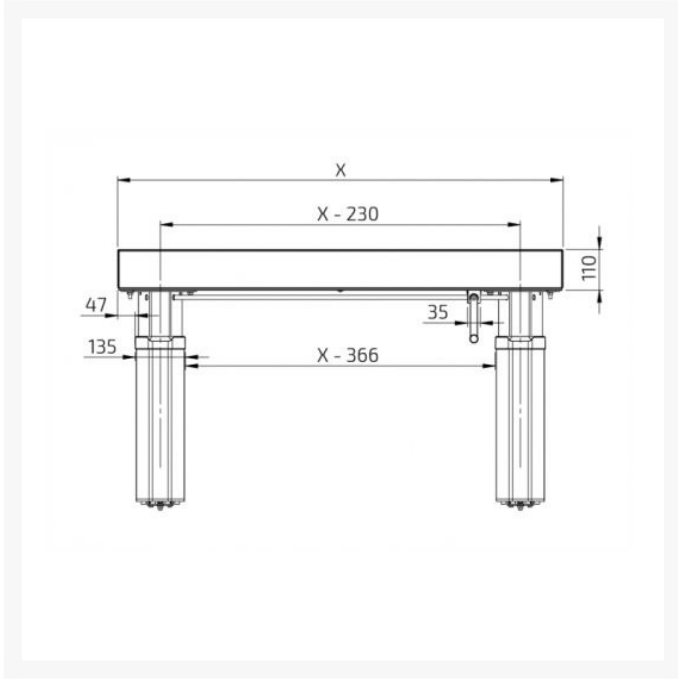
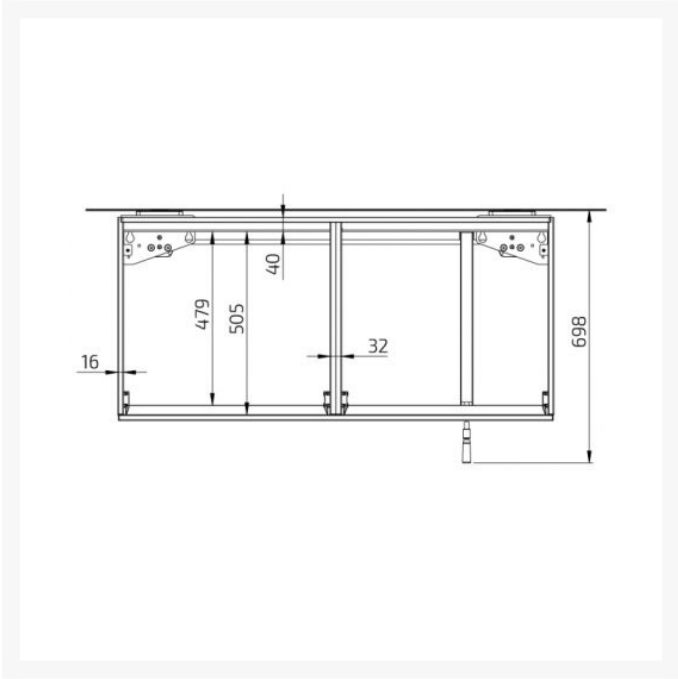
£6,013.20 Inc. VAT

Product Code: 6350-ESHS4-R

## Product Images







## Product Options

| Frame Width (mm) | Price Inc. VAT |
|------------------|----------------|
| 2190             | £6,013.20      |
| 2390             | £6,102.00      |

## Additional Options

---

|                                                                                             |                                                 |         |
|---------------------------------------------------------------------------------------------|-------------------------------------------------|---------|
| <b>Select the folding handle location - Inset by 235mm</b>                                  | Left hand - Winding crank handle                | £0.00   |
|                                                                                             | Right hand - Winding crank handle               | £0.00   |
| <b>Please input your Total hob cut-out width (mm)</b>                                       |                                                 | £0.00   |
| <b>Please input your Total hob cut-out depth (mm)</b>                                       |                                                 | £0.00   |
| <b>Optional - Granberg mixer tap, with 500mm flexible water hoses &amp; Tap hole cutter</b> | Incl. dishwasher shut off (Not WRAS approved)   | £482.40 |
|                                                                                             | Without dishwasher shut off (Not WRAS approved) | £482.40 |

## Description

---

Granberg combi kitchen module 6350-ESHS4R, wall mounted with 300mm of height adjustment by a cranked winding handle. With a one piece stainless worktop/drying area with two right-hand insulated shallow kitchen sink bowls with overflows and custom size 4 zone hob cut-out to your dimensions to the left. The insulated underside of the sinks prevents scalding and burns to the user.

Choice of optional Granberg FM Mattsson kitchen monobloc mixer taps, 190mm easy to reach lever with a swivel spout - with or without dishwasher cut-off valve.

The underside of the ESH stainless steel worktop/drying area is supported by a fully-glued MDF board.

The folding crank handle, prevents removal and theft, that can be ordered left or right hand mounted.

Pre-fitted in the front fascia, the rear cover panels are easy to fit and hide the legs and services.

The modules are manufactured 10mm shorter in width, to allow for a 5mm clearance gap at both ends for safe movement, ideal for the direct replacement of 2200 to 2400mm width cabinets. The module has a reduced depth of 15mm to accommodate splashbacks and wall tiles.

Electric floor standing systems or Manual wall mounted variations are also available.

### Key benefits:

- Right hand combi kitchen module with 300mm of hand cranked height adjustment, 730-1030mm above the floor
- Folding crank handle, prevents removal and theft
- The wall mounted legs are concealed by 2x matt white sliding cover panels with 2x dark grey coloured steel end plates
- Tilt able worktop plane for adjustment
- Full extension drawers can be added (except; below the hob) as a factory fitted option - (Contact us if required)
- Range of widths 2190 and 2390mm to suit standard kitchen base unit spaces: 2200 and 2400mm
- The modules are 10mm shorter in width to allow for a 5mm gap both sides of the unit for the up/down movement

- Adjustable depth 576-606mm including the Alu. front to suit adjoining cabinets and worktops
- 100mm free space below the foot of each leg for services
- Quick solution, top frame supplied pre-assembled for fast site installation
- White Powder Coated RAL 9003 aluminium 103mm fascia front with plastic end caps
- ESH stainless steel worktop/drying area with two right hand 120mm deep insulated shallow bowls with overflows and flexible waste kit
- Customizable (on order) space for a 4 zone electric cooking hob (do not fit gas hobs)
- All components available separately
- Optional Granberg FM Mattsson (FMM) kitchen monobloc mixer tap with 190mm easy reach lever and swivel spout that can be adjusted to 60°, 85°, 110°, 360° or fixed
- Pair of flexible Water Hoses 2-pack, 3/8", length 500mm with Tap connectors for FMM taps

**Optional choice of tap style:**

- - 60210 FMM Inc. dishwasher shut off valve (Not WRAS approved)
- - 60211 FMM Excl. dishwasher shut off valve (Not WRAS approved)

**Cranked Combi Kitchen Module 6350-ESHS4 Right includes:**

- Wall mounted Manulift 6350 with 2x legs
- Folding crank handle, prevents removal and theft, left or right hand located - as per the product image
- 2x 12mm matt white melamine cover panels hide service installations under the worktop
- White aluminium front fascia
- Smooth stainless steel worktop/drying area with raised perimeter
- Brushed aluminium rear edge trim
- ESH worktop/drying area with right hand 120mm shallow depth, insulated sink bowls, with overflows, dual shallow traps, strainer wastes and a flexible drain hose
- Optional choice of Granberg FMM Mixer tap with long lever with or without dishwasher cut-off valve, and flexible water hoses
- Left hand customizable cut-out, to suit your electric cooking hob

**Recommended accessories:**

- Full extension, push-to-open integrated drawers
- Cutlery trays
- Power Switch
- FMM long lever kitchen mixer taps, tap hole cutter and flexible hoses
- 4 Zone cooking hob - Please contact us for prices for Neff and other brands
- Mini cabinet on wheels

**Technical details:**

- Height adjustment: Manually cranked adjustable by 300mm (730 - 1030mm)
- Crank handle inset from left- or right-hand side of the worktop end by 235mm
- Folding crank handle, prevents removal and theft
- 1x turn for height adjustment of 10mm
- Max. distributed load / Lifting force: 100kg (220lbs)
- Frame depth: 576 - 606mm from the wall (Incl. front)
- Tilt able worktop plane for adjustment
- Front height: 103mm
- All fittings for assembly supplied wall fixings are not included
- Space to adjoining wall / cabinet side (mm): 5
- Space to wall (for tiles): 15mm
- Tiling: From 700 mm above the floor (alternatively tile down to floor level)
- Worktop frame Material: Aluminium frame

- ESH sink: Smooth 1mm stainless steel sheet
- Main bowl size: 340mm width x 400mm depth x 120mm deep
- Rinse bowl size: 293mm width x 400mm depth x 120mm deep
- Shallow traps, strainer wastes and a flexible waste kit

**4-zone Hob cut-out (The hob shown in images is not included):**

- Inset by 50mm from the Right-hand end of worktop
- Pre-cut to your specified dimensions
- Inset from the front by 50mm
- Specify your Width x Depth (mm), as per your hob manufactures installation instructions

**Stainless steel worktop:**

- Hygienic and wear-resistant drying area
- Smooth 1mm stainless steel sheet with a raised edge perimeter
- The underside of the stainless-steel worktop is supported by a fully glued MDF board
- Overall thickness of worktop: 30mm

**Warranty:**

- 2-year manufacturer warranty

**Please note:**

- Due to the custom nature of this product, it is made-to-order and is therefore non-returnable
- The Tap hole is not pre-drilled

**Additional Information**

---

|                        |                         |
|------------------------|-------------------------|
| Manufacturer           | Granberg                |
| Mounting / Model       | Combi Kitchen Module    |
| Max. Load (kg / St)    | 100 / 15.7              |
| Method of Operation    | Manual - Winding Handle |
| Height Adjustment (mm) | 300                     |
| Mounting               | Wall Mounted            |