



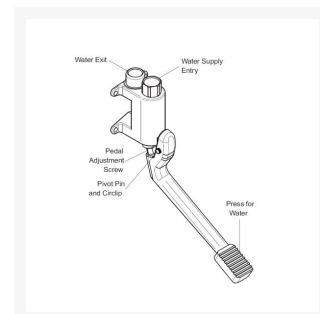
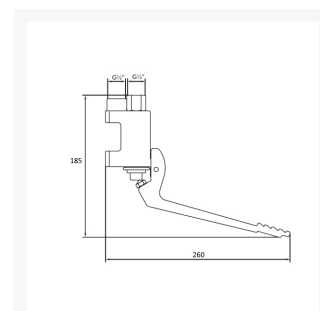
Independent 4 Life

Inta Foot Operated Wall Mounted Pedal Tap

£202.62 Inc. VAT

Product Code: LO804CP

Product Images



Description

Inta foot operated wall mounted pedal for the delivery of water in a controlled and hygienic way.

For controlling single feeds of hot, cold or blended water supplies via a Intamix TMV.

The valves are simple to install, easy to use and vandal resistant, making them ideal for wide range of applications.

Key benefits:

- Hygienic
- Robust construction
- Vandal resistant
- Durable
- Single inlet for blended hot water, via a Intamix TMV or cold water supplies
- Easy to install

Technical details:

- Min operating pressure: 0.5 bar dynamic
- Max operating pressure: 8 bar static
- Inlet temperature range: 5-70°C
- Inlet connections: G ½" (x2)
- Outlet connections: G ½"
- The foot pedal should be 60mm off the floor

Please note:

- If used for hot water in order to prevent scalding the hot water supply should be connected to the mixer via a thermostatic mixing valve (TMV).
- If used for cold water it is recommended that a service valve and strainer are installed in the cold water supply pipe.

Warranty:

- 1 year manufacturer warranty

Additional Information

Manufacturer	Inta
Application	Basin
Tap Style	Floor Mounted Valve
Mounting	Floor
Operation	Foot Operated
Water Pressure	Low, Normal Mains, High Pressure Systems
Technologies	Exposed Top Entry, Water Saving, TMV a Recommended Extra, Vandal Resistant