



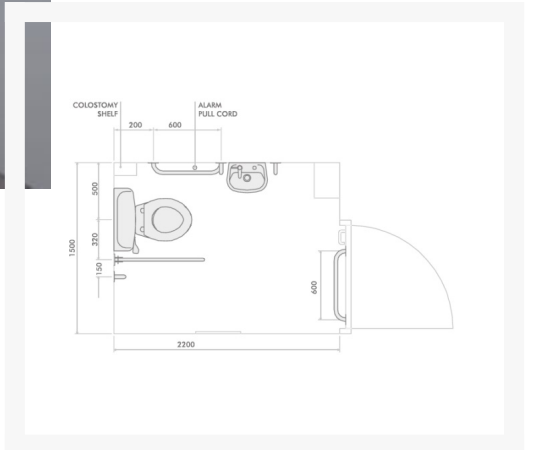
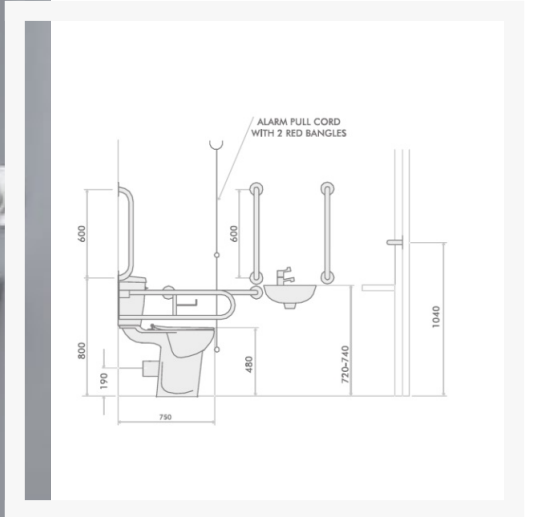
Independent 4 Life

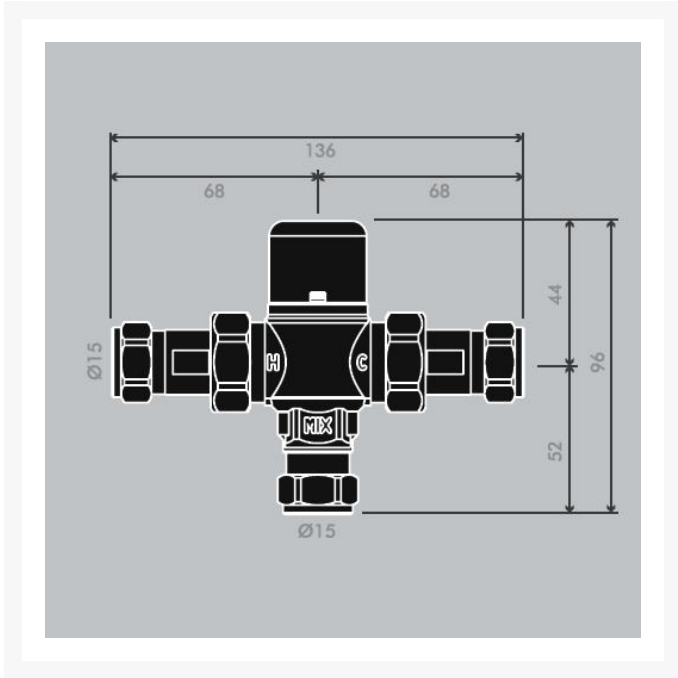
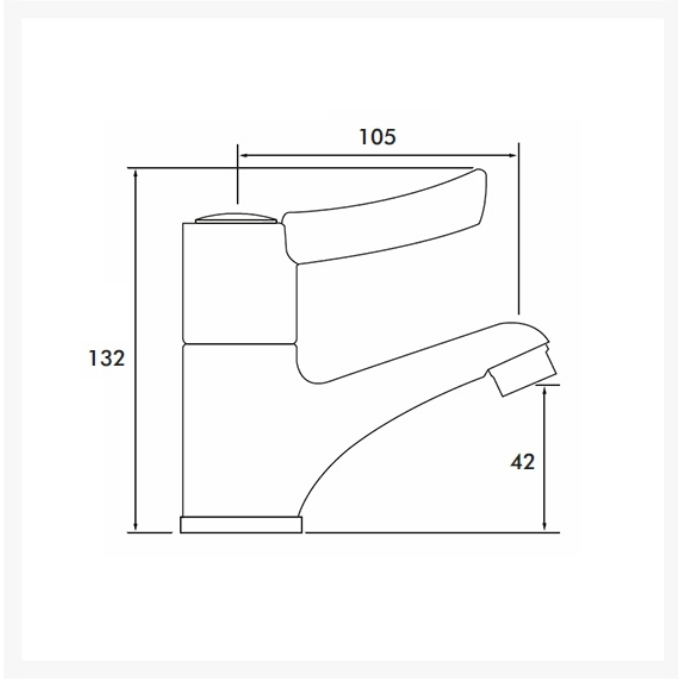
Intra Doc M 6Ltr Close Coupled WC Pack w/ Rails & TMV3 Approved Mixing Valve - Choice of Rail Colour: White, Blue & Grey

From:	£635.72
To:	£635.72
Inc. VAT	

Product Code: DM601/WH3/BL3/GR3

Product Images





Product Options

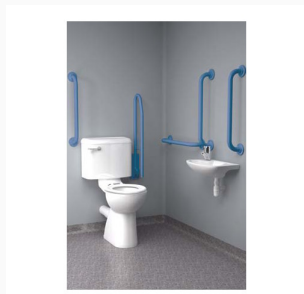
Product Code / Rail Colour



DM601WH3 - Inta Doc M 6Ltr Close Coupled WC Pack w/ White Rails & TMV3 Approved Mixing Valve

£529.77

Unhanded Inta Doc M pack with 6 litre close coupled WC, white toilet seat, spatulate lever flush, basin, single lever sequential mixer tap, 15mm TMV3 thermostatic mixing valve, waste, White (RAL 5016) 5x 600mm grab rails, 1x 760mm locking hinged support rail, and fixings. The pack provides for both left and right hand layouts. WRAS approved.



DM601BL3 - Inta Doc M 6Ltr Close Coupled WC Pack w/ Blue Rails & TMV3 Approved Mixing Valve

£529.77

Unhanded Inta Doc M pack with 6 litre close coupled WC, white toilet seat, spatulate lever flush, basin, single lever sequential mixer tap, 15mm thermostatic mixing valve (TMV 3), waste, Blue (RAL 7005) 5x 600mm grab rails, 1x 760mm locking hinged support rail, and fixings. The pack provides for both left and right hand layouts. WRAS approved.



DM601GR3 - Inta Doc M 6Ltr Close Coupled WC Pack w/ Grey Rails & TMV3 Approved Mixing Valve

£529.77

Unhanded Inta Doc M pack with 6 litre close coupled WC, white toilet seat, spatulate lever flush, basin, single lever sequential mixer tap, 15mm thermostatic mixing valve (TMV 3), waste, Grey (RAL 7005) 5x 600mm grab rails, 1x 760mm locking hinged support rail, and fixings. The pack provides for both left and right hand layouts. WRAS approved.

Description

This Inta Doc M WC pack complies with approved Document M of the Building Regulations and BS8300:2018.

The packs provides for both left and right hand layouts, with blanking covers supplied for the sink and cistern.

This is the 6 litre close coupled version with a 15mm TMV3 thermostatic mixing valve and a choice of rails colours.

Key benefits:

- Complies with Document M of the Building Regulations and BS 8300:2018
- DDA compliant
- Close coupled
- Intamix TMV3 - 15mm thermostatic mixing valve
- Choice of White, Blue or Grey grab rail colours

Close coupled WC:

- White seat ring with metal cross bar hinge
- Close coupled WC HO Pan - rear outlet
- WC pan height, with seat fitted (mm): 480
- WC pan projection (mm): 750
- Wirquin cistern fitting pack
- Unhanded 6 ltr close coupled cistern - non locking lid
- Note: The Cistern has 2 Lever Holes, supplied with a blanking cover
- Wirquin cistern fitting pack
- Chrome spatula flush lever
- Supplied with WC and Cistern floor and wall fixings

Basin:

- Unhanded
- 450mm basin - 2 tap holes
- 1¼" basin waste
- Inta LO980CP - Lever operated basin mixer tap
- Tap operating pressure: 1 to 6 bar
- Intamix 40015CP - 15mm TMV3 thermostatic mixing valve
- Anti-scald mixing valve
- Bottle trap
- Wall fixing brackets
- Tap hole stopper

Rails:

- Mild steel construction
- 35mm Dia. tubes
- Exposed fixings
- 5x 600mm support rails
- 1x 760mm automatic locking hinged grab rail, exposed fixings with toilet roll holder
- White (RAL 5016)
- Blue (RAL 5011)
- Grey (RAL 7005)
- Wall fixings are not supplied

Manufacture product codes:

- White - DM601WH3; Blue - DM601BL3; Grey - DM601GR3

Warranty:

- 1 year manufacturing warranty

Note:

- Please download the PDF for "Technical and Data Sheet" - The plan and elevation technical drawings for the recommended space planning / layout of a Doc M pack.

The following additional mandatory items are not included:

www.independent4life.co.uk | info@independent4life.co.uk | Tel: 0800 500 3001 | VAT No: 942447711

EORI GB942447711000

- Alarm pull cord with two red bangles
- Alarm reset button
- Shelf and facility for limb storage
- Mirror 400mm wide x 1000mm
- Paper towel dispenser
- Soap dispenser
- Automatic hand dryer
- Toilet paper dispenser

Additional Information

Manufacturer	Inta
Toilet Style	Close Coupled
Material / Rail Colour	White (RAL 5016), Blue (RAL 5011), Grey (RAL 7005)
Approvals	WRAS Approved, TMV3 (Healthcare Sector)
Technologies	Anti-Scald