



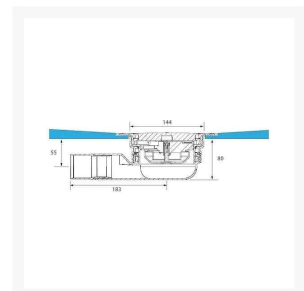
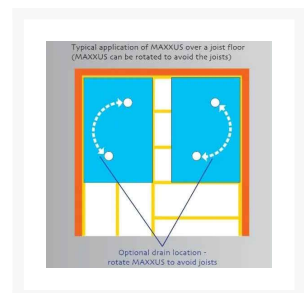
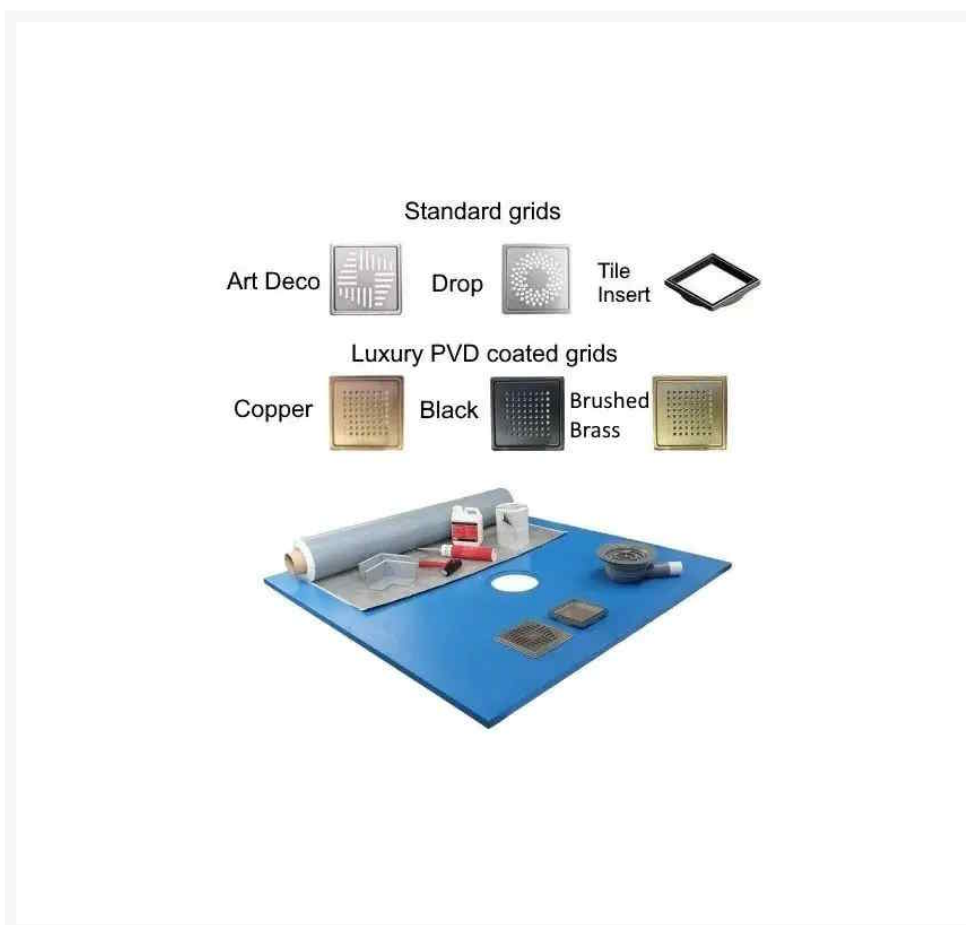
Independent 4 Life

Maxxus Former, 10m² Hydromat Kit, Purus Minimax 2-part Waste - Choice of Size & Grids

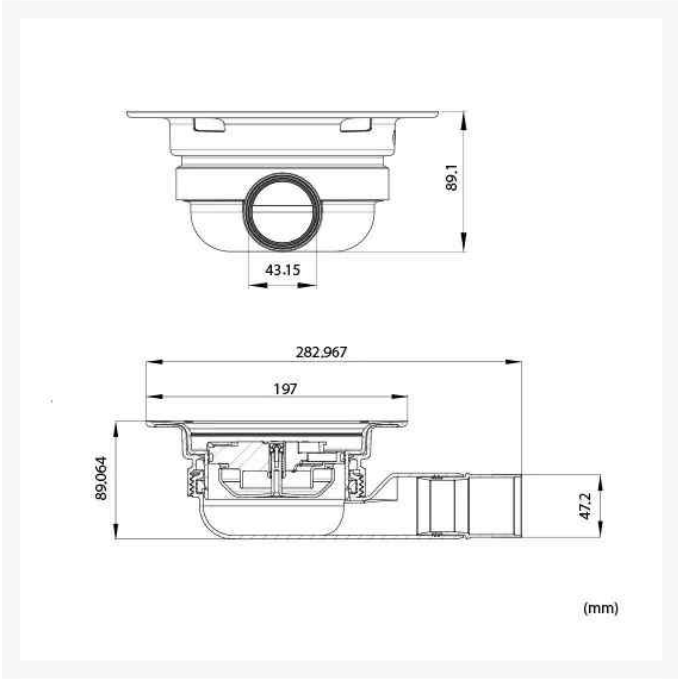
£683.76 Inc. VAT

Product Code: MH10

Product Images



Purus Minimax Two Part Waste





Copper 155mm



Black 155mm



Product Options

Floor Former Size (mm)	Price Inc. VAT
900x900	£683.76
1000x1000	£683.76
1135x770	£683.76
1200x800	£683.76
1200x1200	£683.76
1300x800	£683.76
1400x900	£683.76
1450x1150	£721.20
1500x800	£683.76
1650x900	£815.33
1800x800	£835.20

Additional Options

Purus code / Stainless steel grid option	7138358 / 155x155mm Art Deco Grate	£0.00
	7138360 / 155x155mm Drop Design Grate	£0.00
	52728 / 130x130mm Tile Insert Tray / Grate	£0.00
	153872-843 / 155x155mm Black PVD Grid	£85.50
	153872-842 / 155x155mm Copper PVD Grid	£85.50
	153872-845 / 155x155mm Brushed Brass PVD Grid	£85.50

Description

The Maxxus is a strong 22mm thick wet room floor former tray suitable for wooden and concrete floors, for creating a level access shower area.

With an offset waste and totally flat underside, the Maxxus is easy to install and is incredibly strong.

The deck is supplied with the Purus 2-part Minimax waste, 10m² Hydromat membrane kit tanking kit with a choice of the Purus tile insert, Art Deco and Drop design tiling frames or upgrade to the luxury PVD coated grids.

Key benefits:

- For tiled flooring
- Self adhesive butyl membrane for fast installation, without drying times like the paint on liquid membrane systems
- Suitable for timber and concrete floors
- Strong and durable base yet only 22mm thick
- Vacuum formed GRP
- Made from 50% recycled materials and is 100% recyclable
- Solid right through - no pockets or hollow cavities
- Creates a level access floor with no step
- Built in gradients for water removal to the waste
- Accepts 470kg (75 stone) loading over 400mm joist centres
- Self-supporting - no requirement for additional support underneath
- May be trimmed down to any size
- The Minimax waste projects only 80mm below Maxxus deck
- Gravity or Pumped - Purus Minimax 2-part waste with 47 Litres/minute flow rate
- Removable sprung NOOD water trap
- The NOOD no-odour water trap which will not allow any foul air to escape even if the gully dries out
- Removable stainless-steel Tile Insert tray or Grid options
- Suitable for underfloor heating
- Choice of size

Former installation:

- Totally flat underside with recessed screw holes allow for easy fixing
- Simply rotate to place the drain hole in the ideal position in timber floors

Hydromat installation guidance:

- Tanking should be applied at minimum one meter up the walls and one meter into the room from the edge of the wet area.
- Areas outside the main wet space that are exposed frequently to water also require tanking.
- The aim is to create one continuous tanking sheet down to the drain.
- Jointing tapes and corners are self adhesive on both sides with removable films, use the roller provided and roll over all areas before removing the top film.
- The sheet membrane is self adhesive with a fleece top that provides maximum key for tile adhesive.
- When installing always work from the corner, once down roller over all areas for maximum adhesion.
- The Butyl Sealant does not cure solid, it will remain permanently plastic.
- Download the PDF installation instructions, from the Installation and Help Guides "Tab" for more information.

Kit contents:

- 1x Maxxus floor former
- 1x Purus Minimax two part waste, suitable for gravity or pumped uses (Product Code: 52719)
- 1x Grate - please select your design above
- 10m² Hydromat membrane
- 2x 10m rolls Hydromat joint tape
- 2x Self-adhesive internal corners
- 1 Litre primer

- 1x 310ml tube of Butyl sealant
- Roller

Standard - Grid options:

- Purus Stainless Steel Art Deco Grate for Tiled Floors, 155x155x6mm
- Purus Stainless Steel Drop Grate for Tiled Floors, 155x155x6mm
- Purus Tile Adapter with Stainless Steel Tile Insert Grate 130x130mm
- Purus Tile Adapter Height: 12mm (external); 10mm (internal)

Luxury PVD coated Chess design grid upgrade:

PVD (Physical Vapour Deposition) is Titanium Ion Plating which improves the performance of stainless steel by increasing wear, scratch and corrosion resistance making its durability far superior to conventional coating methods such as electroplating or powder-coating.

- - Purus stainless steel grid with frame 155x155x6mm - Copper colour
- - Purus stainless steel grid with frame 155x155x6mm - Black colour
- - Purus stainless steel grid with frame 155x155x6mm - Brushed Brass colour

Warranty:

- Maxxus deck: 25 year manufacturer guarantee
- Hydromat kit: "When installed correctly by a competent person and used for normal wet room applications this tanking system has a life-of-tiling guarantee (if grout lines are maintained). No guarantee is offered where this is not the case."

Manufacturer product codes:

- MH934-10, MH930-10, MH931-10, MH941-10, MH929-10, MH936-10, MH932-10, MH935-10, MH1411-10, MH933-10, MH942-10, MH1808-10

Additional Information

Manufacturer	Maxxus
Brand / Model	Maxxus
Size (mm)	900x900, 1000x1000, 1135x770, 1200x800, 1200x900, 1200x1200, 1300x800, 1400x900, 1450x1150, 1500x800, 1650x900, 1800x800
Floor Former Thickness (mm)	22
Waste Option / Floor Finish	Purus Minimax 2-part Gravity / Pumped - Vinyl
For Floor Finish	Tiled Flooring
Optional Waste Type	Gravity Waste, Pumped Waste
Flow Rate / l/min	47