



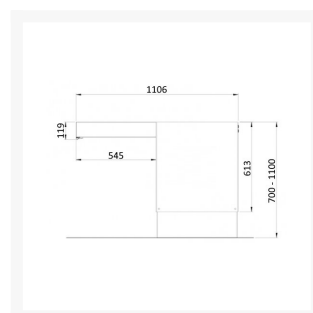
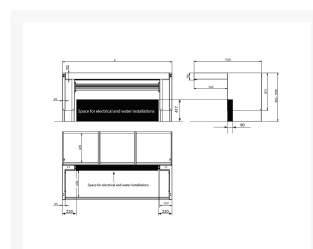
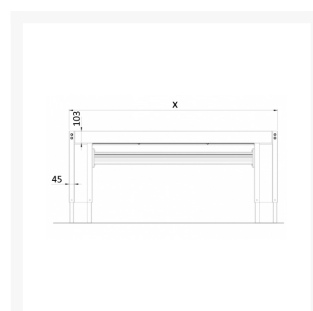
Independent 4 Life

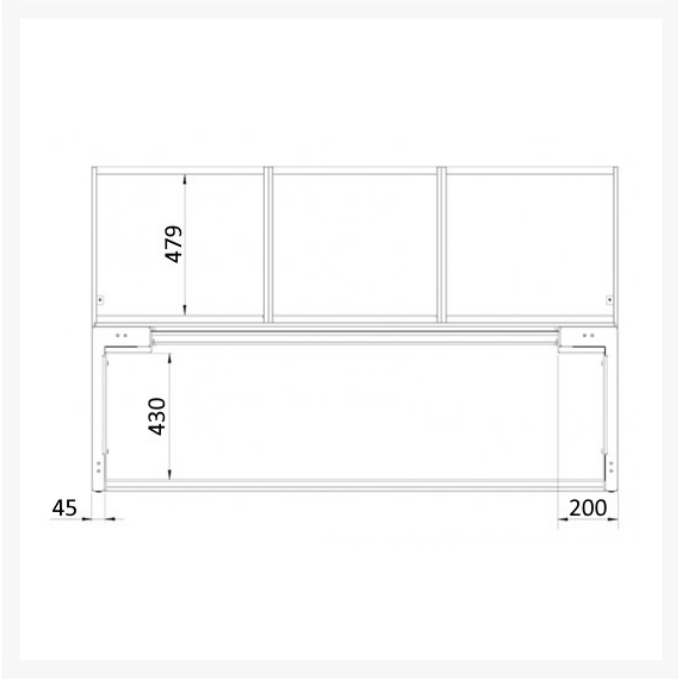
Granberg Centerlift 6490H Height ADJ Kitchen Island - 990-3290mm W x 1106mm D - White Finish

£6,441.24 Inc. VAT

Product Code: 6490HA-01

Product Images







Product Options

Frame Width (mm)	Price Inc. VAT
990	£6,441.24
1090	£6,477.96
1190	£6,502.80
1290	£6,526.56
1390	£6,549.24
1490	£6,573.00
1590	£6,595.68
1690	£6,621.60
1790	£6,711.36
1890	£6,900.36
1990	£6,925.20
2090	£6,996.48
2190	£7,019.16
2290	£7,045.08
2390	£7,065.60
2490	£7,892.88
2590	£7,919.88
2690	£7,946.88
2790	£7,972.80
2890	£7,997.64
2990	£8,091.72
3090	£8,117.64
3190	£8,141.40
3290	£8,170.56

Description

The Granberg Centerlift 6490 is an electric rise and fall kitchen island.

Its clever design features two distinct sides - one side where hanging cabinets can be mounted; and another side which allows for legroom and fascia fronts/drawers to be mounted.

This version of the Centerlift 6490 comes in white (RAL 9003) finish and is available in widths between 990-3290mm.

Design service available:

- Granberg provide a CAD design service to help you visualise and specify this product, with plan, elevation and 3d drawings. Please contact us to discuss your requirements.

Key benefits:

- Height adjustable kitchen island lift
- Electric operation
- Simple "plug and play" electronics and motor system
- One side of the lift allows for the hanging cabinets to be mounted
- The other side of the lift allows for legroom, and can be further embellished with fascia fronts and drawers
- Integrated safety stop - prevents the lift's movement in the event of an obstruction
- White RAL 9003 finish

Useful information:

- Worktop width = lift width + thickness of side cover + desired protrusion
- Worktop depth = lift depth (1106mm) + thickness of front cover + desired protrusion
- Cover panels can hide installations under the worktop on the side that allows for legroom

Includes:

- Factory-mounted aluminium system
- Floor-mounted motors
- Mini control buttons
- Safety switch on the side that allows for legroom
- Fittings for worktop and fascia fronts

Recommended accessories - see PDF downloads for more information:

- Alu-design buttons
- Cover package
- Cover panel
- Cutlery trays
- Drawers
- Front
- Hanging cabinet
- Hose cover
- Mini cabinet on wheels
- Multi-compartment frame
- Power switch / Power socket
- Protective panel
- Safety lock

- Safety system

Technical details:

- Height adjustment: Motorised, step-less adjustment of 400mm (between 700-1100mm usable height excluding worktop)
- Speed: 20mm / sec.
- Electrical connections: 2x 230V / 50Hz / 10A (5A+5A)
- Lifting force (kg): 400
- IP-class: IP 20
- Frame depth (mm): 1106
- Facia front height (mm): 103 (order facia separately)
- Cover panel dimensions: Width = width of lift, height 510mm, thickness 12-20mm (order cover panel separately)
- Materials: Motor units in lacquered steel (S235JRG2). Aluminium beams. Aluminium frame for the side that allows for legroom

Warranty:

- 2 year manufacturer warranty

Manufacturer product codes:

- 6490HA-099-01, 6490HA-109-01, 6490HA-119-01, 6490HA-129-01, 6490HA-139-01, 6490HA-149-01, 6490HA-159-01, 6490HA-169-01, 6490HA-179-01, 6490HA-189-01, 6490HA-199-01, 6490HA-209-01, 6490HA-219-01, 6490HA-229-01, 6490HA-239-01, 6490HA-249-01, 6490HA-259-01, 6490HA-269-01, 6490HA-279-01, 6490HA-289-01, 6490HA-299-01, 6490HA-309-01, 6490HA-319-01, 6490HA-329-01

Additional Information

Manufacturer	Granberg
Height Adjustment (mm)	400