



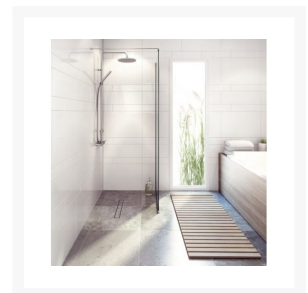
Independent 4 Life

Purusline Living 600mm Linear Drain, Tiled Floor, Twist Grate, Outlet Choice

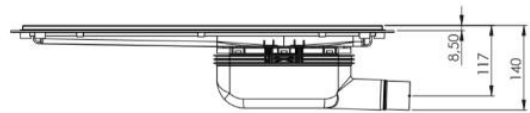
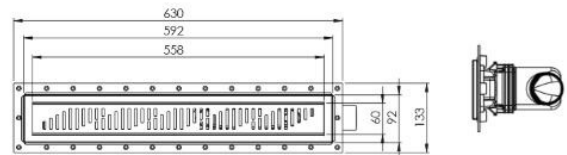
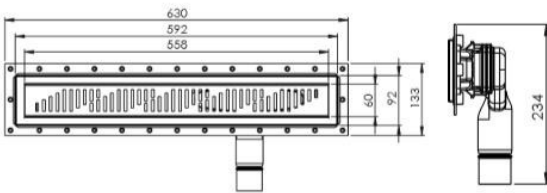
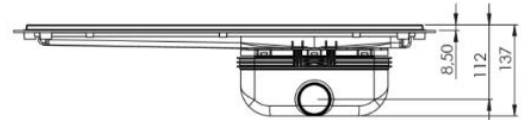
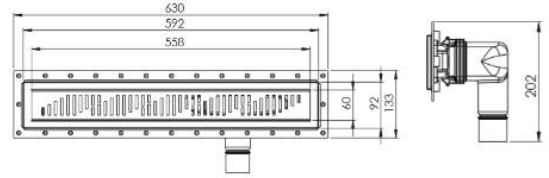
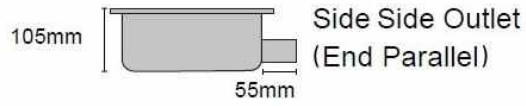
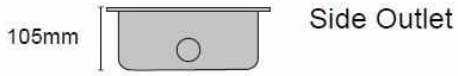
£312.66 Inc. VAT

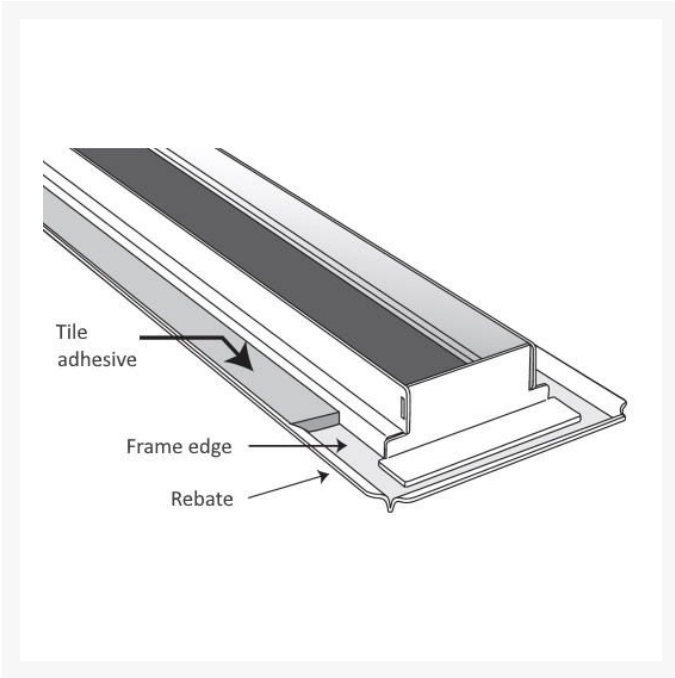
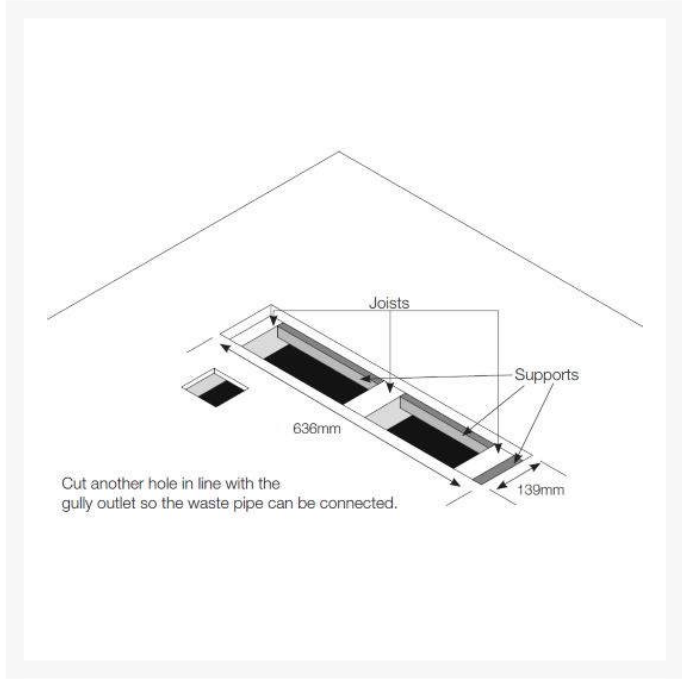
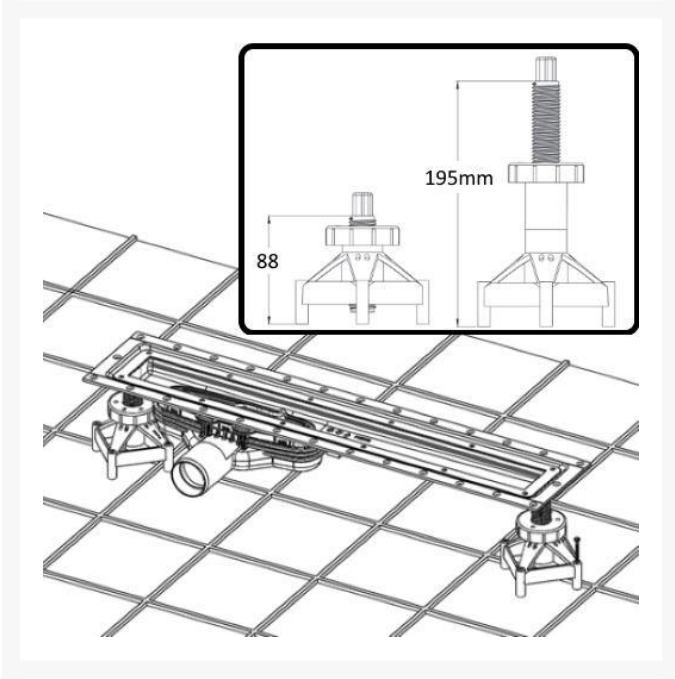
Product Code: 52740-2

Product Images



Waste Options:





Product Options

Waste Outlet / Depth (mm)	Price Inc. VAT
Horizontal - 52mm Low Side	£312.66
Horizontal - 105mm Side	£312.66
Horizontal - 105mm Side Side (End Parallel)	£312.66

Description

Purus 630mm Living linear channel drain for wet rooms with tiled flooring.

Designed for use with concrete / screed floors and timber floors. This version features the Twist design grate. Also available in a kit form with the Maxxus Linear floor former and tanking kit for tiled floors (See Product Code: 68219-xx).

Key benefits:

- Purusline Living 630mm length linear channel drain
- PP - bodied unit
- Removable sprung NOOD water trap
- The NOOD no-odour water trap which will not allow any foul air to escape even if the gully dries out
- Removable stainless-steel Twist design grate, adjustable in height to match your floor tile finish
- Includes a tanking collar
- Requires a tanking system (not included) to waterproof, before laying a tiled floor finish (available separately)
- Includes 2 x support legs for screed floors
- Includes a joist installation kit for timber floors
- Choice of waste outlet

Technical details:

- Overall length (mm): 630
- Overall width (mm): 133
- Overall grate length (mm): 559
- Overall grate width (mm): 60
- Thickness of grate (mm): 8.5
- Grate loading: Class K 3 (300 kg)

Waste options:

- Choice of three NOOD water trap outlets each with a push-fit ABS pipe reducer 2" to 1½" (50mm to 40mm):
- Product Code: 52740 - Side Outlet with 60-72 Ltr/min flow rate - Waste depth / Overall (mm): 105 / 137
- Product Code: 52742 - Low Side Outlet with 30-36 Ltr/min flow rate - Waste depth / Overall (mm): 52 / 94
- Product Code: 52741 - Side Side (End Parallel) Outlet with 60-72 Ltr/min flow rate - Waste depth / Overall (mm): 105 / 141
- Please select as desired

Installation Guidance:

- The minimum gradient should be 1:150 to ensure the flow of water to the floor trap and no more than 1:50 to reduce the risk of slipping
- A nominal 2% falls is usually used
- Do not install the product on a raised platform. It is designed only to be installed level with the surrounding floor
- Please note: This Linear drain channel will also require a wet room tanking system to complete the floor and walls, before tiling and use (not included)
- Tile to the desired pattern, using C2 tile adhesive and C2 grout
- Min. / Max. tile thickness including adhesive (mm): 10 / 26

Concrete / Screed Floor Installation:

- Build falls to the gully with screed so water can run into it
- Supplied with 2 x plastic concrete supports, for setting the gulley height and level prior to casting the concrete screed
- The Concrete supports have a min. height of 88mm and a max height of 195mm with a distance case at 50mm
- Refer to the PDF download installation instructions for more information

Timber Floor Installation:

- Check the level of the joists and floorboards prior to installation of the tray and marine ply. They must be flat and level
- The joists and floor must be made sound and secure according to BS 5268 and for BS 6178 if using joist hangers
- Noggins or structural supports need to be added to the joists. These are required to add extra support for the linear channel / floor former
- Refer to the PDF download installation instructions for more information

Warranty:

- The design life of the Purusline Living is 25 years, as long as they are installed and used following the installation and maintenance instructions and only in use with normal shower water.

Manufacture product codes:

- 52740, 52741, 52742

Additional Information

Manufacturer	Purus
Configuration	600mm Linear Drain
Installation	Floor Formers, Concrete / Screed Floors, Timber Floors
Application	Floor Former, Screed Floors, Timber Floors
Waste Depth / Outlet Position	105mm / Side, 52mm / Low Side, 105mm / Side Side (End Parallel)
Flow Rate / l/min	30-36, 60-72
Floor Finish	Tiled Flooring
Grate Material / Finish	Stainless Steel / Twist