



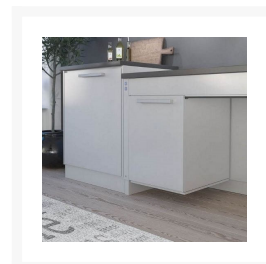
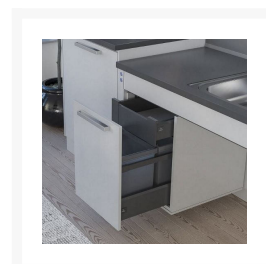
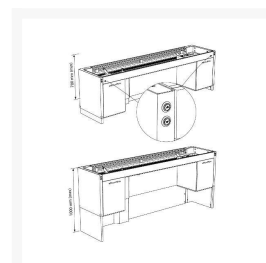
Independent 4 Life

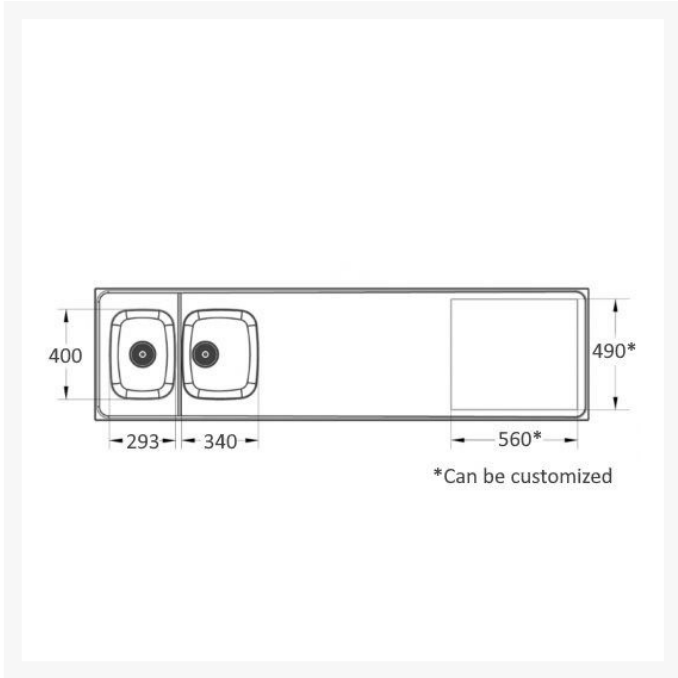
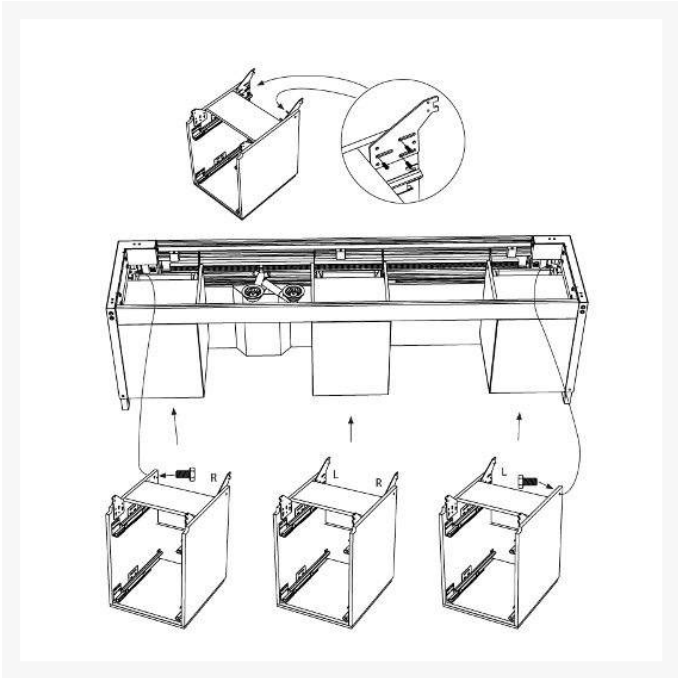
# Granberg Sidelift 6400 Combi Kitchen Module 6400-ESHS4 SS, w/ CABS under Entire Lift - Choice of Colour

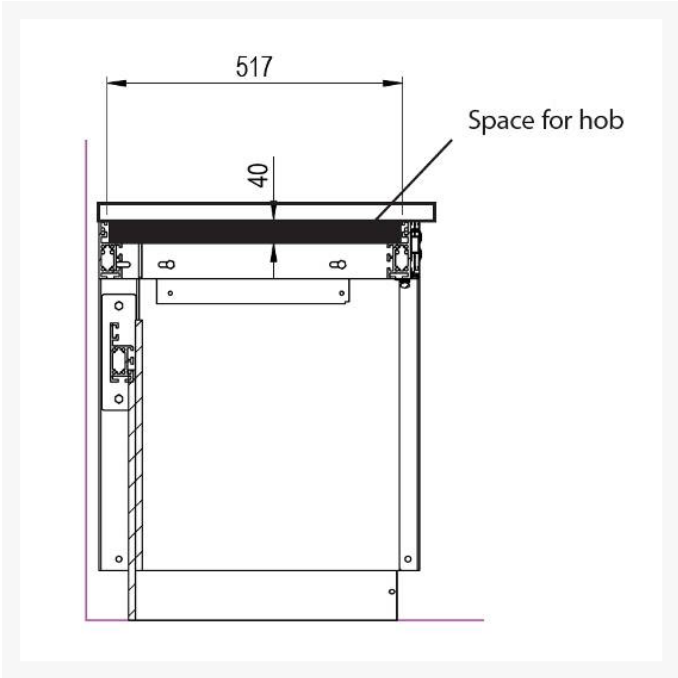
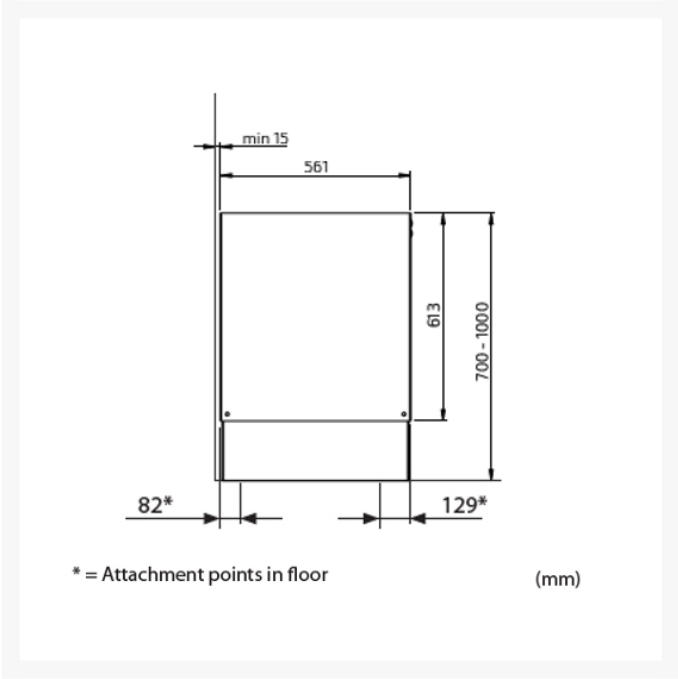
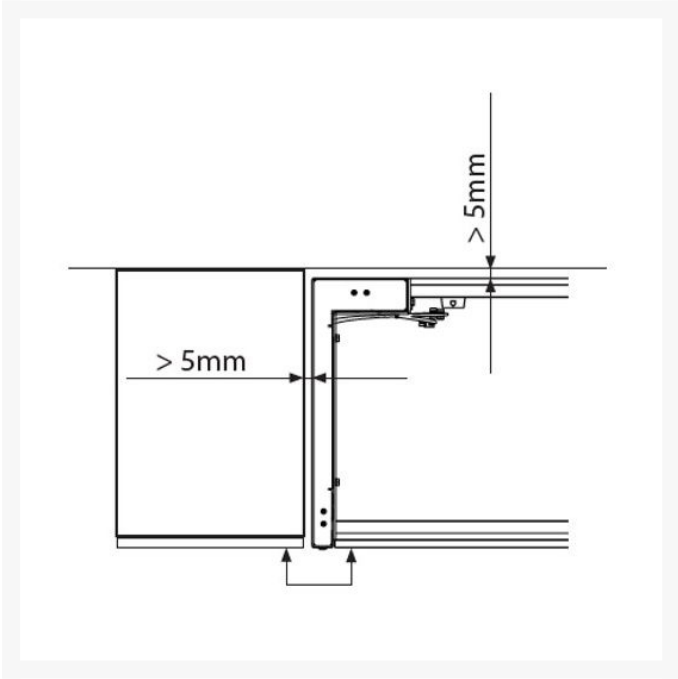
£16,516.80 Inc. VAT

Product Code: 6400-ESHS4-H5-289

## Product Images







## Product Options

End Motors - Colour	Price Inc. VAT
White - RAL 9003	£16,516.80
Anthracite - RAL 9004	£16,516.80

## Additional Options

---

<b>Step 1) Sink - Handing</b>	Left of worktop lift	£0.00
	Right of worktop lift	£0.00
<b>Step 2) Please input your Total hob cut-out width (mm)</b>		£0.00
<b>Step 3) Please input your Total hob cut-out depth (mm)</b>		£0.00

## Description

---

This Granberg Sidelift 6400 module is equipped with the ESHS stainless steel workbench / drying area with two shallow sink bowls with a depth of 120mm, hob cut-out and 5x hanging cabinets.

Supplied with a complete run of hanging cabinets hung under the entire width of the lift. The cabinets can be quickly and easily removed to provide free space, below the worktop. The can cabinets can be remounted just as easily.

The worktop lift is powered by heavy duty motors with 400kg of lifting power located at either end on the short sides.

The motors work steplessly with 300mm of adjustment height, moving the worktop quickly and quietly to the desired height from a range of 700-1000mm from the floor, excluding the worktop.

The lift is supplied with a safety strip along the front edge and safety plates located under each hanging cabinet. The lift stops all movement if any object comes in contact.

The module is delivered complete, (except hob, mixer tap and hoses), and is available in left or right version.

The lifting system is available in a choice of 2x colours, White (RAL 9003) as shown in the images, or Anthracite (RAL 9004).

### Key benefits:

- Motorised, straight worktop lift with side motors
- Electric operation, with Mini control buttons located on the motor units
- 400kg lifting power
- Cabinets under the entire worktop or under certain parts
- Safety plates under the cabinets
- Height-adjustable 70-100 cm above the floor (excl. top board)
- Simple "plug and play" electronics and motor system
- Choice of Left or Right-hand sink, select as required
- ESHS - Stainless steel workbench, 2x shallow sink bowls, hole for hob, 2890mm width
- Specify your hob-cut dimensions, as required
- White RAL 9003 Front
- Choice of colours, White RAL 9003 and Anthracite, RAL 9004
- Hanging cabinet materials: Frame in white melamine
- Hanging cabinet materials: Door white-lacquered (NCS 0500-N)

### Includes:

- 1x SIDELIFT 6400 - 2890mm width (Product Code: 6400HA-289)
- 5x Fitting kits for hanging cabinet (Product Code: 6250-001)
- 2x Hanging cabinet with drawers, 400mm (Product Code: 760-040-01)
- 2x Hanging cabinet with drawers, 600mm (Product Code: 760-060-01)
- 1x Hanging cabinet under sink, 800mm (Product Code: 760-080-01)
- 2x Cutlery compartment for inner drawer, 400mm (Product Code: 460-040)
- 2x Cutlery compartment for inner drawer, 600mm (Product Code: 460-060)
- 2x Safety plate SIDELIFT 6400, 400mm (Product Code: 6253-040-01)
- 2x Safety plate SIDELIFT 6600, 600mm (Product Code: 6253-060-01)
- 1x Safety plate SIDELIFT 6800, 800mm (Product Code: 6253-080-01)
- 1x Cover panels, Sidelift 6400 (Product Code: 6262-240-01)
- 1x Fittings set for cover panels, Sidelift 6400 (Product Code: 6260-008)
- 1x 2890mm Rear edge trim ALU for worktop (Product Code: 6943-06)
- 1x Stainless workbench, 2 bowls, hole for hob, 289.0 cm - ESHS (Product Code: 617ESHS-289)
- 1x Flexible plumbing kit

### **Recommended accessories:**

- Cooking hob
- Mixer tap
- Flexible water hoses

### **Technical details:**

- Installation: Floor mounted
- Height adjustment: Motorised, steplessly adjustable 300mm (700-1000mm excl. worktop)
- Speed level (mm/sec): 20
- Operation: Mini control buttons, located on the left and right side of motor units
- Electrical connection: 2x 230V socket outlets / 50Hz / 2 x 5A
- Safety: Continuous safety stop strip located under the front facia
- Safety: Plates under the hanging cabinets
- Plumbing connections: Flexible wastewater hose
- Lifting force (kg): 400
- IP-class: IP 20
- Width worktop: Width = width of the lift
- Worktop depth: 15mm shallower than worktops on fixed cabinets
- Frame depth (mm): 561
- Required space to wall / adjoining cabinet (mm): 5
- Required space to wall (for tiles) (mm): 15
- Tiling: From 700 mm above floor (alternatively all the way down to the floor)
- Delivery modules: 1 package with motor units. 1 package with length-dependent beams
- Materials: Motor units in lacquered steel (S235JR G2). Aluminium beams

### **Warranty:**

- 2 year manufacturer warranty

### **Please note:**

- Note: The cooking hob and mixer tap and hoses shown in the images are not included
- Due to the custom nature of this product, it is made-to-order and is therefore non-returnable

### **Manufacturer product codes:**

- 6400-ESHS4-H5-289-01, 6400-ESHS4-H5-289-07

## Additional Information

---

Manufacturer	Granberg
Mounting / Model	Floor / Sidelift 6400 Combi Module
Max. Load (kg / St)	400 / 62.9
Method of Operation	Electric - Push Button
Height Adjustment (mm)	300
Mounting	Floor Mounted