



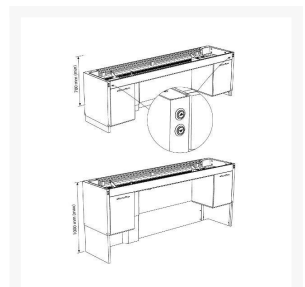
Independent 4 Life

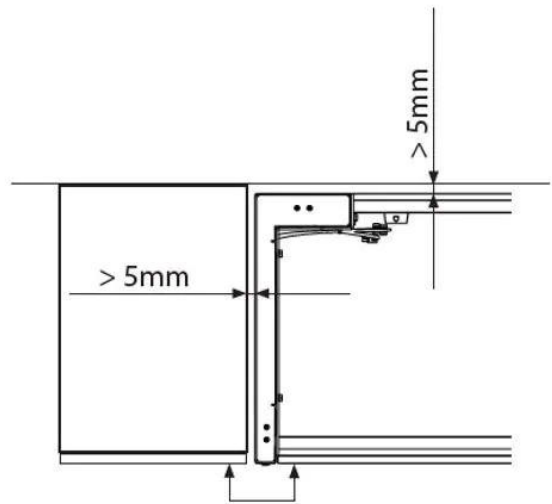
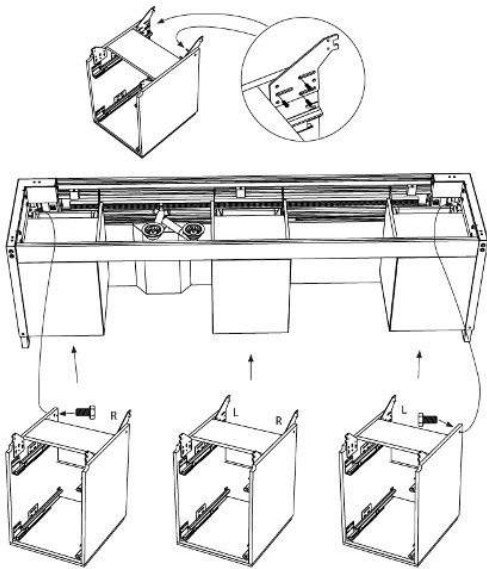
Granberg Sidelift 6400 Combi Kitchen Module, w/ CAB Left & Right - Choice Colour

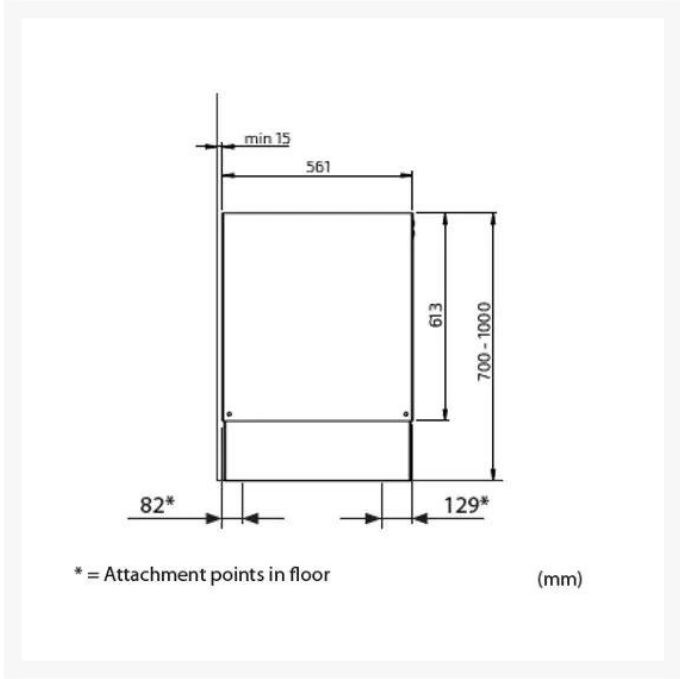
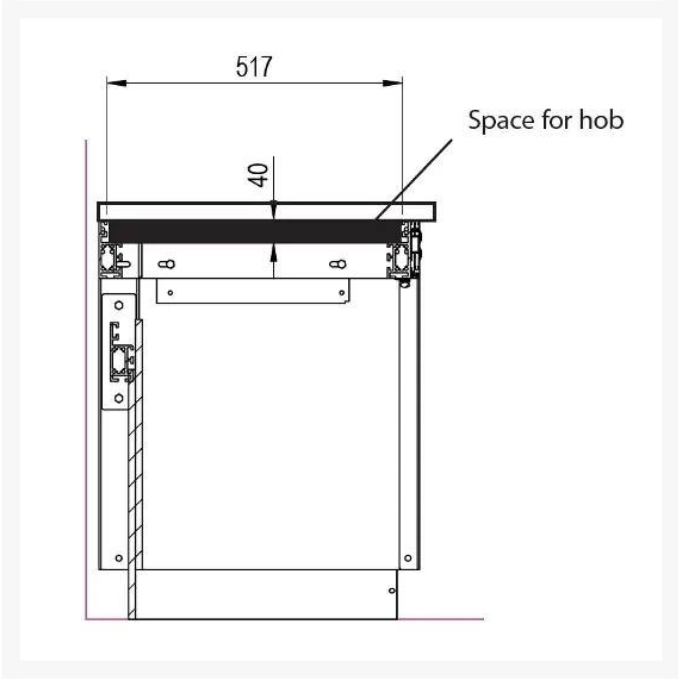
£9,705.60 Inc. VAT

Product Code: 6400-H2-289

Product Images







Product Options

End Motors - Colour	Price Inc. VAT
White - RAL 9003	£9,705.60
Anthracite - RAL 9004	£9,705.60

Description

The Granberg Sidelift 6400 module without a worktop or sink with 2x 400mm hanging cabinets on the left and right-hand ends which can be removed, for free space below the rest of the worktop.

The worktop lift is powered by heavy duty motors with 400kg of lifting power located at either end on the short sides.

The motors work steplessly with 300mm of adjustment height, moving the worktop quickly and quietly to the desired height from a range of 700-1000mm from the floor, excluding the worktop.

The lift is supplied with a safety strip along the front edge and safety plates located under each hanging cabinet. The lift stops all movement if any object comes in contact.

The lifting system is available in a choice of 2x colours, White (RAL 9003) as shown in the images, or Anthracite (RAL 9004).

Key benefits:

- Motorised, straight worktop lift with side motors
- Electric operation, with Mini control buttons located on the motor units
- 400kg lifting power
- Cabinets Left-Right
- Safety plates under the cabinets
- Height-adjustable 70-100 cm above the floor (excl. worktop)
- Simple "plug and play" electronics and motor system
- Choice of colours, White RAL 9003 and Anthracite, RAL 9004
- Hanging cabinet materials: Frame in white melamine
- Hanging cabinet materials: Door white-lacquered (NCS 0500-N)

Includes:

- 1x SIDELIFT 6400 - 2890mm width (Product Code: 6400HA-289)
- 2x Fitting for hanging cabinet (Product Code: 6250-001)
- 1x Hanging cabinet with drawers, 400mm (Product Code: 760-040-01)
- 1x Hanging cabinet with waste sorting bins, 400mm (Product Code: 761-040-01)
- 2x Cutlery compartment for inner drawer, 400mm (Product Code: 460-040)
- 2x Safety plate SIDELIFT 6400, 400mm (Product Code: 6253-040-01)
- 1x Cover panels, Sidelift 6400 (Product Code: 6262-240-01)
- 1x Fittings set for cover panels, Sidelift (Product Code: 6260-008)
- 1x 2890mm Rear edge trim ALU for worktop (Product Code: 6943-06)

Recommended accessories:

- Additional hanging cabinets
- Additional fittings for hanging cabinet
- Worktop
- Cooking hob
- Mixer tap
- Flexible water hoses
- 120mm depth shallow bowl sink
- Flexible waste hose

Technical details:

- Installation: Floor mounted
- Height adjustment: Motorised, steplessly adjustable 300mm (700-1000mm excl. worktop)
- Speed level (mm/sec): 20
- Operation: Mini control buttons, located on the left and right side of motor units
- Electrical connection: 2x 230V socket outlets / 50Hz / 2 x 5A
- Safety: Continuous safety stop strip located under the front facia
- Safety: Plates under the hanging cabinets
- Lifting force (kg): 400
- IP-class: IP 20
- The width of the worktop: Width = width of the lift
- The worktop depth should be 15mm shallower than worktops on fixed cabinets
- Frame depth (mm): 561
- Required space to wall / adjoining cabinet (mm): 5
- Required space to wall (for tiles) (mm): 15
- Tiling: From 700 mm above floor (alternatively all the way down to the floor)
- Delivery modules: 1 package with motor units. 1 package with length-dependent beams
- Materials: Motor units in lacquered steel (S235JRG2). Aluminium beams

Warranty:

- 2 year manufacturer warranty

Please note:

- Note: The worktop, cooking hob, sink, mixer tap and hoses shown in the images are not included
- Due to the custom nature of this product, it is made-to-order and is therefore non-returnable

Manufacturer product codes:

- 6400-H2-289-01, 6400-H2-289-07

Additional Information

Manufacturer	Granberg
Mounting / Model	Floor / Sidelift 6400 Combi Module
Max. Load (kg / St)	400 / 62.9
Method of Operation	Electric - Push Button
Height Adjustment (mm)	300
Mounting	Floor Mounted