



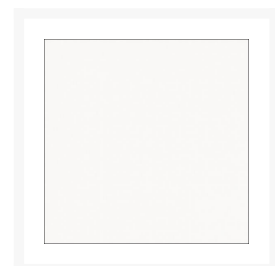
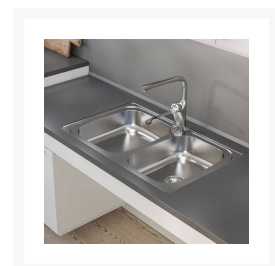
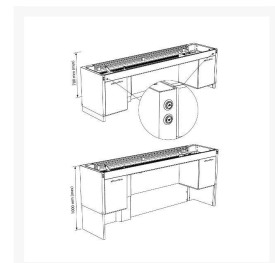
Independent 4 Life

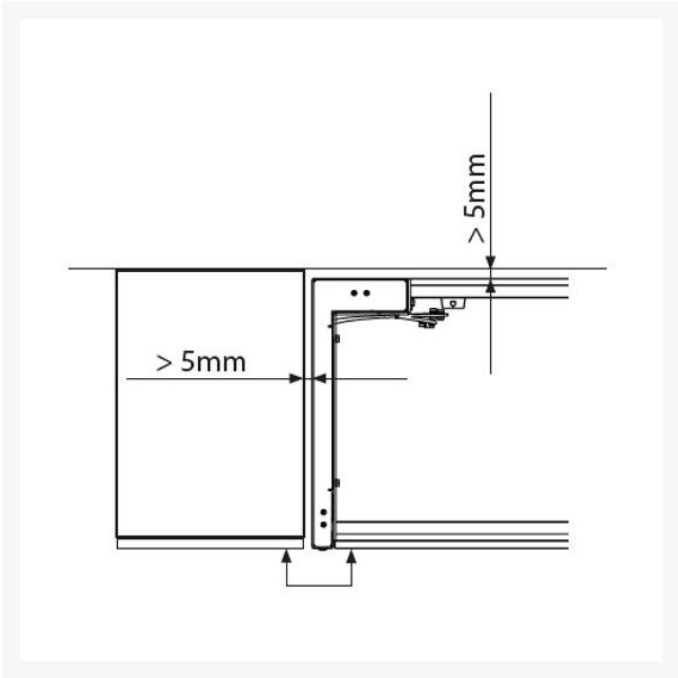
£11,870.40 Inc. VAT

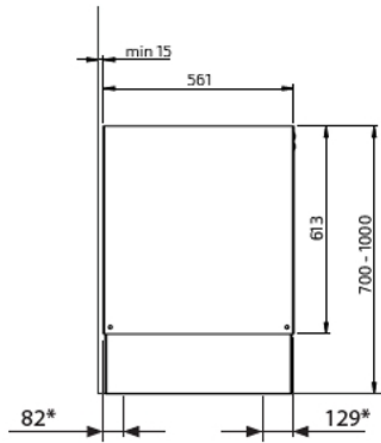
Granberg Sidelift 6400 Combi Kitchen Module 6400-ES30S4, White LAM Worktop, w/ CAB Left & Right - Choice of Colour

Product Code: 6400-ES30S4-H2-289

Product Images

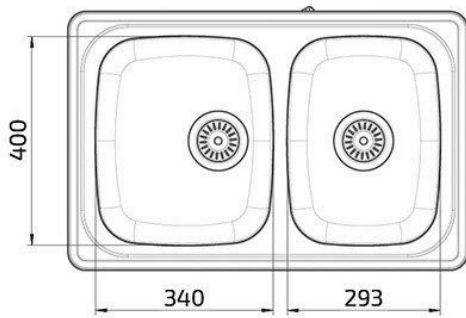






* = Attachment points in floor

(mm)



Product Options

End Motors - Colour

White - RAL 9003

Anthracite - RAL 9004

Price Inc. VAT

£11,870.40

£11,870.40

Additional Options

Sink - Handing	Right of worktop lift	£0.00
	Left of worktop lift	£0.00
Please input your Total hob cut-out width (mm)		£0.00
Please input your Total hob cut-out depth (mm)		£0.00

Description

This Granberg Sidelift 6400 module features the ES30 kitchen sink with two insulated shallow bowls, 30mm white laminate K1040 worktop with the hob space cut-out to your dimensions with a white front.

2x 400mm hanging cabinets on the left and right-hand ends which can be removed, free space below the rest of the worktop.

The worktop lift is powered by heavy duty motors with 400kg of lifting power located at either end on the short sides.

The motors work steplessly with 300mm of adjustment height, moving the worktop quickly and quietly to the desired height from a range of 700-1000mm from the floor, excluding the worktop.

The lift is supplied with a safety strip along the front edge and safety plates located under each hanging cabinet. The lift stops all movement if any object comes in contact.

The module is delivered complete, (except hob, mixer tap and hoses), and is available in left or right versions.

The lifting system is available in a choice of 2x colours, White (RAL 9003) as shown in the images and Anthracite (RAL 9004).

Key benefits:

- Motorised, straight worktop lift with side motors
- Electric operation, with Mini control buttons located on the motor units
- 400kg lifting power
- Cabinets Left-Right
- Safety plates under the cabinets
- Height-adjustable 70-100 cm above the floor (excl. worktop)
- Simple "plug and play" electronics and motor system
- Choice of Left or Right-hand sink, select as required
- 30mm White Laminate K1040 Un worktop, post-formed edge
- Specify your hob-cut dimensions, as required
- White RAL 9003 Front
- Choice of colours, White RAL 9003 and Anthracite, RAL 9004
- Hanging cabinet materials: Frame in white melamine
- Hanging cabinet materials: Door white-lacquered (NCS 0500-N)

Includes:

- 1x SIDELIFT 6400 – 2890mm width (Product Code: 6400HA-289)

- 2x Fitting kits for hanging cabinet (Product Code: 6250-001)
- 1x Hanging cabinet with drawers, 400mm (Product Code: 760-040-01)
- 1x Hanging cabinet with waste sorting bins, 400mm (Product Code: 761-040-01)
- 2x Cutlery compartment for inner drawer, 400mm (Product Code: 460-040)
- 2x Safety plate SIDELIFT 6400, 400mm (Product Code: 6253-040-01)
- 1x Cover panels, Sidelift 6400 (Product Code: 6262-240-01)
- 1x Fittings set for cover panels, Sidelift (Product Code: 6260-008)
- 1x 2890mm Rear edge trim ALU for worktop (Product Code: 6943-06)
- 1x 2890mm Worktop - Laminate / Compact-laminate, 450-610mm depth
- 1x Built-under stainless steel sink
- 1x Inset Insulated Kitchen Sink Stainless Steel ES30 - 76.6 cm - Incl. flexible plumbing kit

Recommended accessories:

- Additional hanging cabinets
- Additional fittings for hanging cabinet
- Cooking hob
- Mixer tap
- Flexible water hoses

Technical details:

- Installation: Floor mounted
- Height adjustment: Motorised, steplessly adjustable 300mm (700-1000mm excl. worktop)
- Speed level (mm/sec): 20
- Operation: Mini control buttons, located on the left and right side of motor units
- Electrical connection: 2x 230V socket outlets / 50Hz / 2 x 5A
- Safety: Continuous safety stop strip located under the front fascia
- Safety: Plates under the hanging cabinets
- Plumbing connections: Flexible wastewater hose
- Lifting force (kg): 400
- IP-class: IP 20
- Width worktop: Width = width of the lift
- Worktop depth: 15mm shallower than worktops on fixed cabinets
- Frame depth (mm): 561
- Required space to wall / adjoining cabinet (mm): 5
- Required space to wall (for tiles) (mm): 15
- Tiling: From 700 mm above floor (alternatively all the way down to the floor)
- Delivery modules: 1 package with motor units. 1 package with length-dependent beams
- Materials: Motor units in lacquered steel (S235JR G2). Aluminium beams

Warranty:

- 2 year manufacturer warranty

Please note:

- Note: The cooking hob, mixer tap and hoses shown in the images are not included
- Due to the custom nature of this product, it is made-to-order and is therefore non-returnable

Manufacturer product codes:

- 6400-ES30S4-H2-289-01, 6400-ES30S4-H2-289-07

Additional Information

Manufacturer	Granberg
Mounting / Model	Floor / Sidelift 6400 Combi Module
Max. Load (kg / St)	400 / 62.9
Method of Operation	Electric - Push Button
Height Adjustment (mm)	300
Mounting	Floor Mounted