



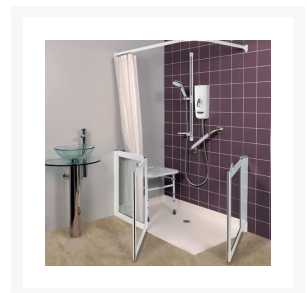
Independent 4 Life

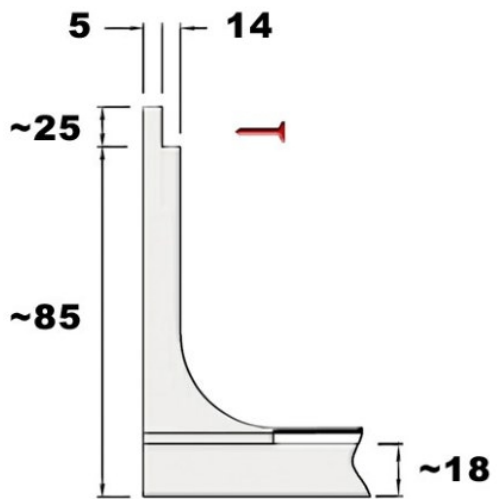
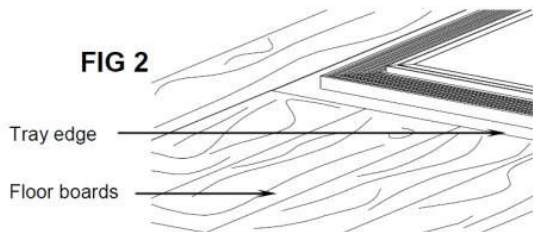
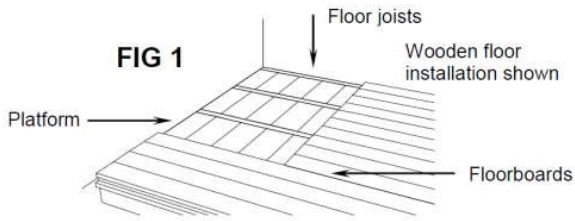
AKW / Contour Swift Corner Entry SHWR Tray No TRUESEAL2 - Choice of Size & Waste

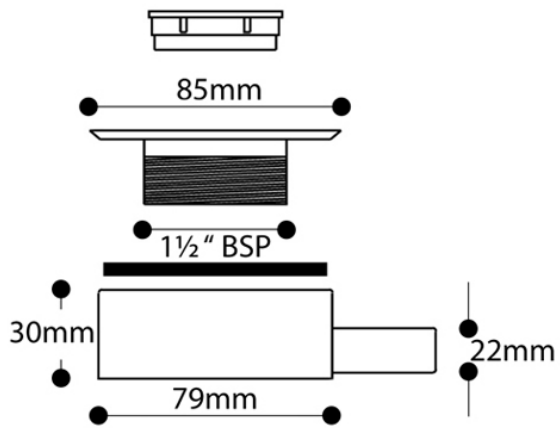
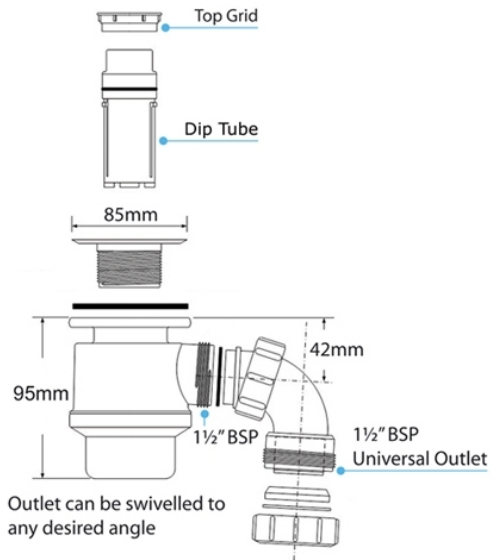
£203.53 Inc. VAT

Product Code: SWIFTNT

Product Images







Product Options

Tray Size (mm)	Price Inc. VAT
795x795	£304.48
945x945	£223.01
1045x1045	£264.79
1095x795 LH	£203.53
1095x795 RH	£203.53
1245x1245	£293.53
1295x745 LH	£205.63
1295x745 RH	£205.63
1345x845 LH	£237.16
1345x845 RH	£237.16
1345x945 LH	£235.93
1345x945 RH	£235.93

Additional Options

McAlpine waste outlet	STW8B-95 Gravity Waste	£0.00
	UPSW-3-22 Pumped Waste	£0.00

Description

The AKW / Contour Swift shower tray gives you the perfect choice when a practical, corner entry shower area is required.

Once fitted a Swift shower tray provides barrier-free, level access for those with mobility difficulties.

Also, installing a Swift tray only requires the removal of 18mm of flooring, the equivalent of a floorboard.

Key benefits:

- For floors with a tiled floor finish
- For suspended timber or concrete / screed floors
- Barrier free, level access - assists effortless wheelchair entry

- Creates a defined shower area without reducing floor space
- Quick and easy to install
- Anti-slip surface for an assured underfoot grip
- Supplied without the Truseal2 edge. This tray is for installation with floor tiles only
- Manufactured in the UK from Glass fibre-reinforced plastic (GRP)

Choice of size and handing:

- Please select below as required

Waste options:

STW8B-95 Gravity Waste

- 50mm water seal gravity waste
- 95mm depth
- Flow rate in excess of 22 litres per minute
- Manufactured by McAlpine

UPSW-3-22 Pumped Waste

- To be used in conjunction with a shower waste pump
- Top access, easy to clean
- 22mm outlet
- 85mm chrome plate flange and grid fitting
- 30mm depth
- Manufactured by McAlpine
- Pump not included

Technical details:

- Choice of size (mm): 795X795, 945x945, 1045x1045, 1095x795LH or RH, 1245x1245, 1295x745LH or RH, 1345x845LH or RH, 1345x945LH or RH
- Max load (kg): 270
- Locate in wooden or solid floors - minimal need for additional support under the tray
- Requires only 18mm of existing floor to be removed (apart from the trap area)
- 14mm tiling lip - easily accommodates wallboards and wall tiles

Warranty:

- Lifetime manufacturer warranty

Manufacturer product codes:

- Tray only, no TRUESEAL2 code: SWIF795NTNW, SWIF945NTNW, SWIF1045NTNW, SWIF1095LHNTNW, SWIF1095RHNTNW, SWIF1245NTNW, SWIF1295LHNTNW, SWIF1295RHNTNW, SWIF1345LHNTNW, SWIF1345RHNTNW, SWIF1345x945LHNTNW, SWIF1345x945RHNTNW
- Tray with gravity waste, no TRUESEAL2 code: SWIF795NT, SWIF945NT, SWIF1045NT, SWIF1095LHNT, SWIF1095RHNT, SWIF1245NT, SWIF1295LHNT, SWIF1295RHNT, SWIF1345LHNT, SWIF1345RHNT, SWIF1345x945LHNT, SWIF1345x945RHNT

Additional Information

Manufacturer	AKW / Contour
Model	AKW / Contour - Swift
Tray Size (mm)	795x795, 945x945, 1045x1045, 1095x795, 1245x1245, 1295x745, 1345x845, 1345x945
Handing	Left Hand, Right Hand, Unhanded
Entry Configuration	Corner Entry
Step-in Height (mm)	Level Access - 0
Thickness of Tray (mm)	26
Waste Compatibility	Gravity Waste, Pumped Waste
Tray Edge for Floor Finish	No TRUESEAL2 - Tiles