



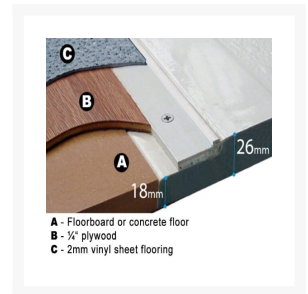
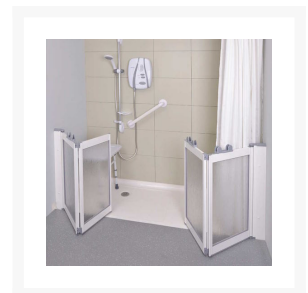
Independent 4 Life

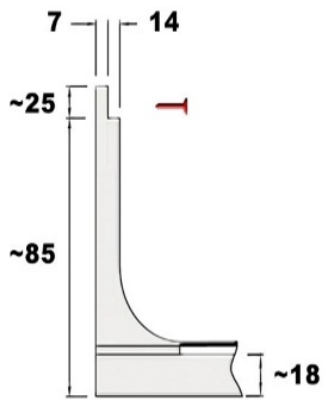
Contour Eagle TWO Level Access Alcove SHWR Tray TRUESEAL2 - Choice of Size

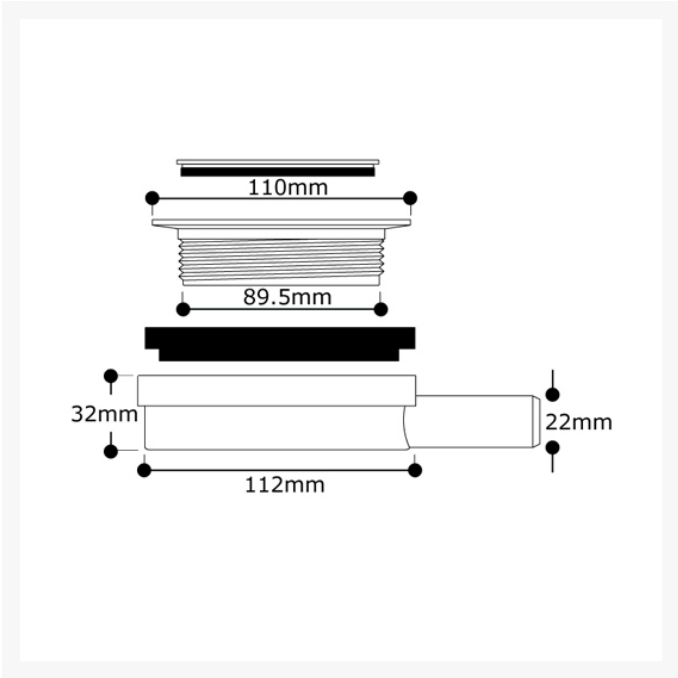
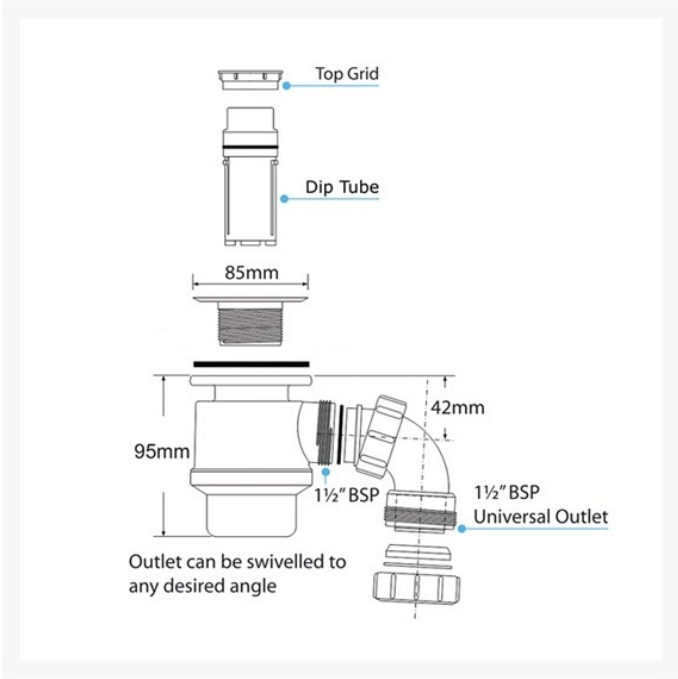
£484.25 Inc. VAT

Product Code: EAGLE

Product Images







Product Options

Tray Size (mm)	Price Inc. VAT
1850x745 - Can be cut down to 1500	£484.33
1850x845 - Can be cut down to 1500	£484.25

Additional Options

McAlpine waste outlet	ST90CPB-P-70 Gravity waste	£0.00
	UPSW-4 Pumped waste	£0.00

Description

The Contour Eagle TWO is the perfect solution where a bathtub is no longer practical for users with mobility difficulties or requiring wheelchair access.

Once fitted an Eagle TWO tray provides barrier-free, level access into an alcove space (between three walls).

This tray can be cut to length from either end, from 1850mm down to 1500mm, supplied with an end plate to enclose the cut end of the tray allowing you to fit the exact space left by the previous bath.

Key benefits:

- With TRUESEAL2 creates a leak free joint when hot welding vinyl safety flooring to the tray
- Tray length 1850mm x 745 or 845mm width
- The tray width can be cut to length from 1850mm to 1500mm as required
- Barrier free, level access - assists effortless wheelchair entry
- Quick and easy to install
- Anti-slip surface for an assured underfoot grip

Waste options:

ST90-CPB-P-70 Gravity Waste

- 50mm water seal
- 90mm diameter
- 70mm depth
- Flow rate approximately 35 litres per minute
- Manufactured by McAlpine

UPSW-4 Pumped Waste

- To be used in conjunction with a shower waste pump
- Top access, easy to clean
- 22mm outlet
- 110mm chrome plate flange and petal grid fitting
- 32mm depth
- Manufactured by McAlpine
- Pump not included

TRUESEAL2 for vinyl flooring:

- TRUESEAL2 is a unique profile that allows vinyl flooring to be hot seam welded directly to the tray
- This creates a perfectly secure watertight joint and vastly reduces the chances of future problems

Technical details:

- Size (mm): 1850x745

- Max load (kg): 270
- Tray can be trimmed at either end down to 1500mm. Supplied with 1 x end plate to conceal cut end
- Unhanded - tray has a central waste and three tiling lips for alcove installation (between three walls)
- Manufactured in the UK from Glass fibre-reinforced plastic (GRP)
- Locate in wooden or solid floors - minimal need for additional support under the tray
- Requires only 18mm of existing floor to be removed (apart from the trap area)
- The 14mm tiling lip is watertight and will easily accommodate wallboards and wall tiles

Warranty:

- Lifetime manufacturer warranty

Manufacturer product codes:

- Tray only code: ET745NW, ET845NW
- Tray with gravity waste code: ET745, ET845

Additional Information

Manufacturer	AKW / Contour
Model	AKW / Contour - Eagle TWO
Cut to Length Range (mm)	1500-1850
Tray Size (mm)	1850x745 - Can be cut down to 1500, 1850x845 - Can be cut down to 1500
Handing	Unhanded
Entry Configuration	Front Entry (Alcove)
Step-in Height (mm)	Level Access - 0
Thickness of Tray (mm)	26
Waste Compatibility	Gravity Waste, Pumped Waste
Tray Edge for Floor Finish	TRUESEAL2 - Vinyl