

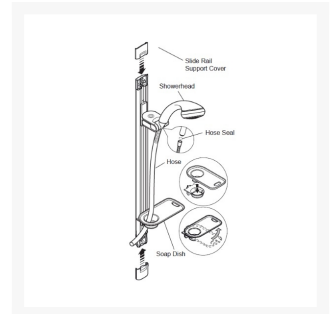
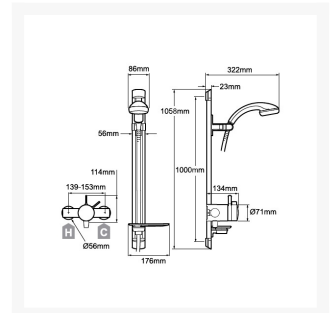


Independent 4 Life

Mira Select Flex Mixer Shower

Product Code: 1.1679.001

Product Images





Description

The Mira Select Flex shower combines stylish looks with the perfect mix of safety features.

It includes easy-to-handle levers with highly visible graphics, a 2000mm hose and a 1000mm slide bar.

Key benefits:

- Thermostatic temperature stability
- With Mira Magni-flo delivering upto 3x more flow, even with low pressure
- Separate flow and temperature controls with extended levers
- Maximum temperature stop for added safety
- Single spray shower head, with automatic drain and spray plate help to minimise limescale
- Rub clean nozzles on the shower head for easy cleaning
- Cool touch valve technology - valve does not get hot during use
- Easy-glide and extra long slide bar gives increased height flexibility
- The slide bar can be corner mounted - great in smaller enclosures
- New variable pipe inlet centres help ensure easy installation
- Soap dish mounted on slide bar

Approvals:

- TMV2 scheme approved
- TMV3 scheme approved
- WRAS approved
- Developed in conjunction with the Royal National Institute for the Blind

Technical details:

- Inlet connections: 15mm compression
- Inlet spacing: 139 - 153mm
- Outlet connection: ½" BSP flat face
- Maximum static pressure: 10 bar

www.independent4life.co.uk | info@independent4life.co.uk | Tel: 0800 500 3001 | VAT No: 942447711

EORI GB942447711000

- Maximum maintained pressure: 5 bar
- Minimum maintained pressure (gravity system): 0.1 bar
- Factory preset temperature: 41°C
- Thermostatic shutdown within 2 seconds

Warranty:

- 5 year warranty

Additional Information

Manufacturer	Mira
Shower Type	Direct Fed (Mixer)
Shower Features	Thermostatic Mixers, Adjustable Riser Rail, Flexible Hose and Handset, Shower Head Holder
Fixings	Exposed
Control	Manual Lever, Manual Dial
Hose Length (mm) / Application	2000 / Shower Hose
Water Pressure	Low, Normal Mains, High Pressure Systems
Technologies	Thermostatic Control, Phased Shutdown, Safe Touch
Approvals	RNIB Mark, WRAS Approved, TMV2 (Domestic Sector), TMV3 (Healthcare Sector)