



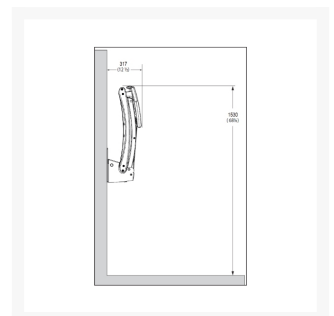
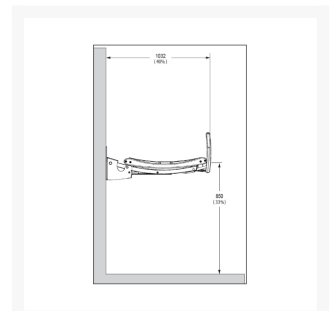
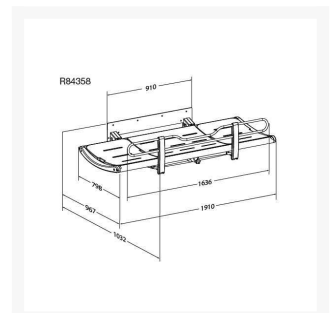
Independent 4 Life

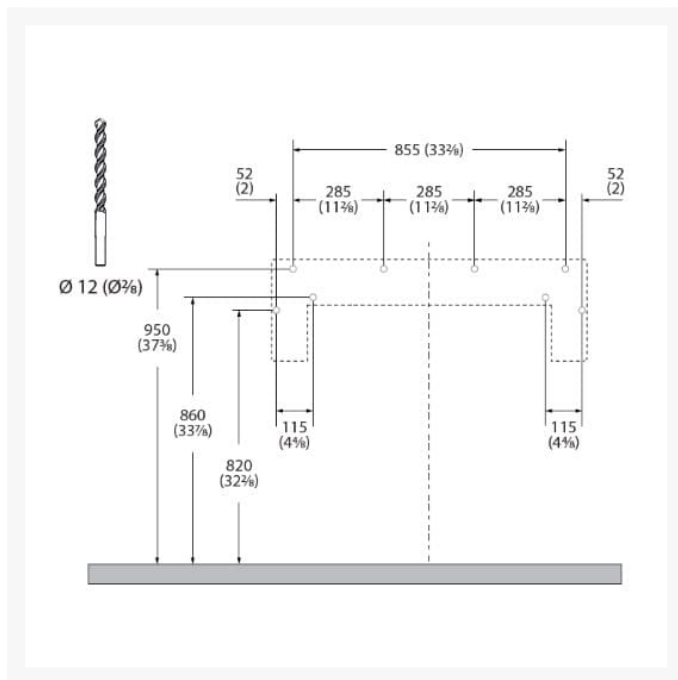
# Pressalit SCT 3000, Fixed Height, Safety Rail, 1910mm - Sapphire Blue

£3,602.10 Inc. VAT

Product Code: R8435318299

## Product Images





## Description

Pressalit Nursing Bench 3000, with a 1910mm overall length fixed height nursing bench with a folding safety rail.

The nursing bench 3000 series provides for maximum safety and comfort, this showering and changing table is one of the most popular on the market. The stylish design combined with optimal comfort for both user and helper means that private homes, public bathrooms, hospitals, institutions and many other areas consider this product the best on the market.

Besides an award winning design, the 3000 series includes a safety rail to keep users on table, with a warm comfortable surface, manufactured from robust hard wearing materials for public facilities. The longer

1800mm version is ideal for adults.

### **Height:**

- When mounted at the recommended height, the lying surface height is 850mm above floor

### **Adjustable neck support:**

- Adjustable neck support which can be moved to either end of the 1800mm showering and changing table
- The slightly curved form makes the bench extremely comfortable and safe
- Warm comfortable surface

### **Water collection tray:**

- Water collection tray with integrated water outlet prevents water from splashing on carers or the floor
- The flexible hose attaches to the centre mounted outlet of the water collection tray
- The hose can be connected to either an outlet in the floor or on the wall

### **Space saving:**

- The safety rail can be folded easily up or down
- The integrated gas cylinders enable the bench to be folded out of the way when not in use to maximise floor space
- Available separately: Wall-mounted, Safety lock (Product Code: R8485)

### **Specification:**

- Adjustability: Fixed mounting
- Outer measurements (mm): 1005 x 1910
- Surface length (mm): 1800
- Materials: Powder-lacquered stainless steel, aluminium, polyurethane foam and polystyrene
- Maximum load (kg): 200
- Colour: Lead grey with Sapphire Blue (RAL 5003) mattress
- Wall fixing kit is not included, see PDF download for more information

### **Declaration of conformity:**

- This product is in compliance with all relevant requirements of regulation (EU) 2017/745 on medical devices

### **Manufacturer warranty:**

- **Note:** If the product is installed in an atmosphere heavy in salt or chloride, the warranty of the nursing bench will be reduced from the normal 3 years to 1 year. Salt and chloride have a corrosive effect on the products components and will cause a decrease in the life expectancy of the product. The damaging effects can, however, be reduced if the product is showered with tap water on a daily basis.

## Additional Information

---

Manufacturer	Pressalit
Mounting	Wall
Width (mm)	1910
Adjustment	Fixed Height
Front Safety Rail	Yes
Brand / Model	Pressalit - SCT 3000
Height adjustment (mm)	None - Fixed Height