



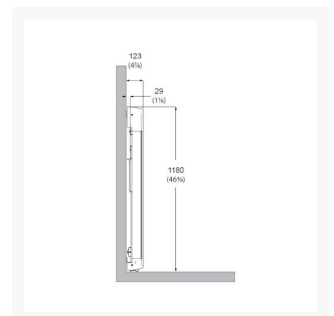
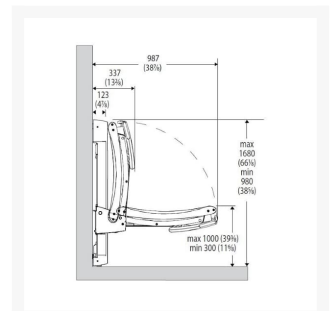
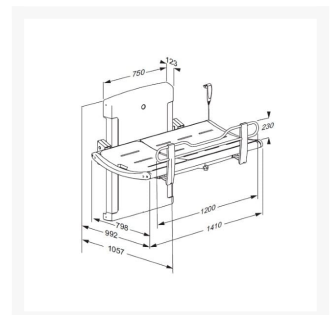
Independent 4 Life

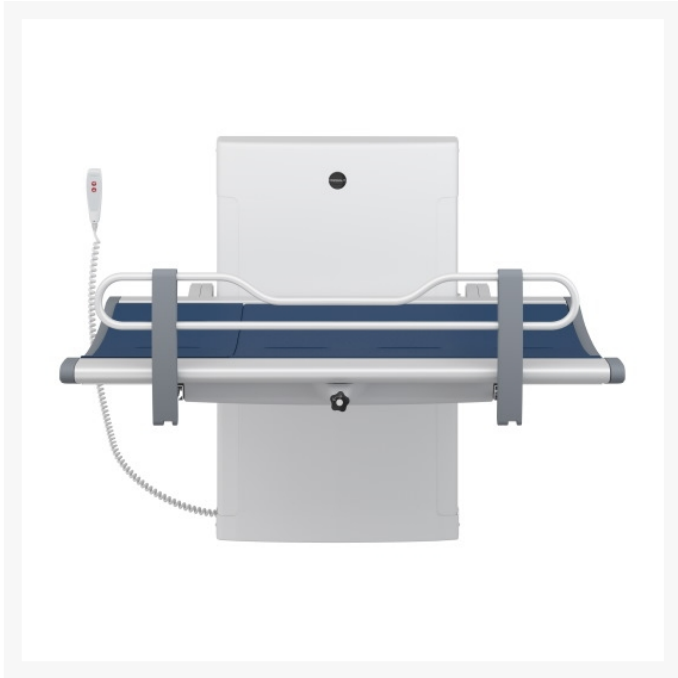
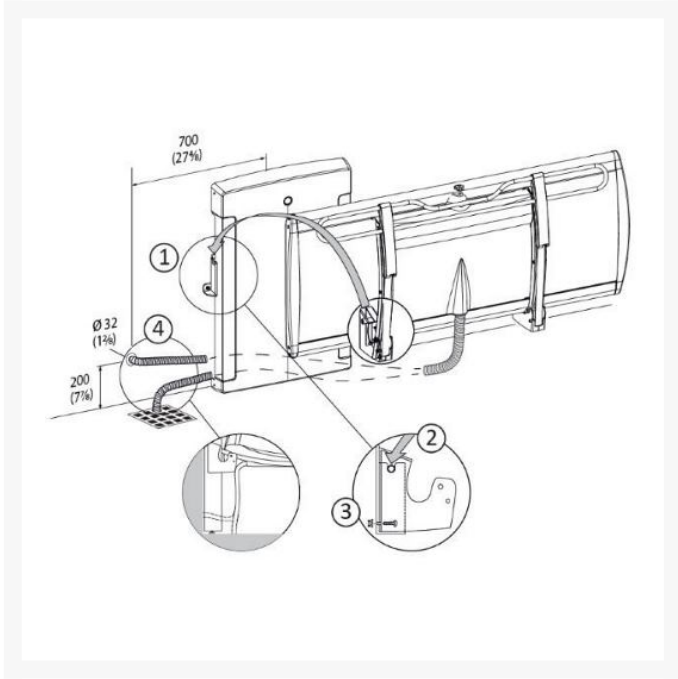
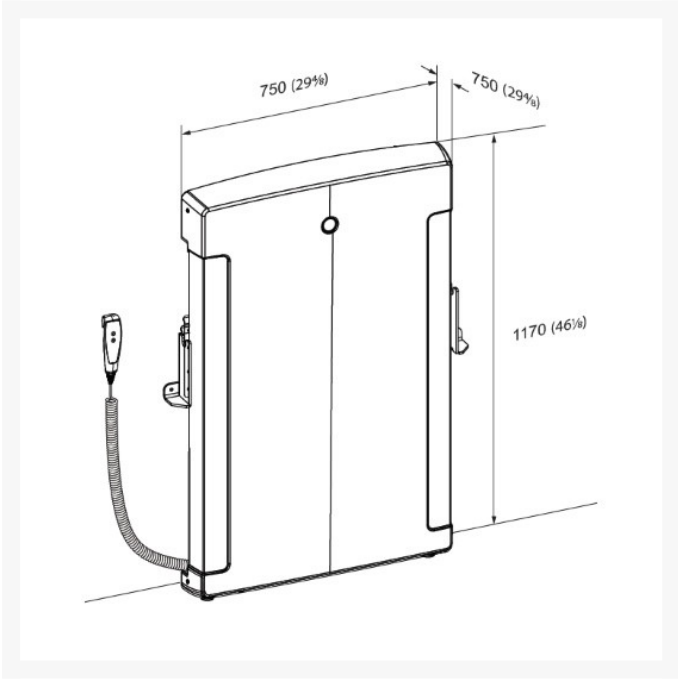
# Pressalit SCT 3000, Height ADJ, Safety Rail, 1410mm - Sapphire Blue

£7,113.60 Inc. VAT

Product Code: R8582313299

## Product Images







## Description

---

Pressalit Nursing Bench 3000, a 1410mm overall length electrically height adjustable nursing bench with a wired hand control and folding safety rail.

The nursing bench 3000 series provides for maximum safety and comfort, this showering and changing table is one of the most popular on the market. The stylish design combined with optimal comfort for both user and helper means that private homes, public bathrooms, hospitals, institutions and many other areas consider this product the best on the market.

Besides an award winning design, the 3000 series includes a safety rail to keep users on table, with a warm comfortable surface, manufactured from robust hard wearing materials for public facilities. The shorter 1300mm version is ideal for children.

### Height adjustment:

- Height adjustable 700 mm; from 300 -1000mm

### Control:

- Electric with wired hand control - easy to use decaled buttons for "Up" and "Down"
- The wired hand control comes with a holder for fitting to the wall

### Adjustable neck support:

- Head support - users don't have to lie flat, located at the left hand end of the bench
- The slightly curved form makes the bench extremely comfortable and safe
- Warm comfortable surface

### Water collection tray:

- Water collection tray with integrated water outlet prevents water from splashing on carers or the floor
- The flexible hose attaches to the centre mounted outlet of the water collection tray
- The hose can be connected to either an outlet in the floor or on the wall

### Space saving:

- The safety rail can be folded easily up or down
- Integrated gas cylinders enable the bench to be folded out of the way when not in use to maximise floor space
- Available separately: Wall-mounted, Safety lock (Product Code: R8485)

### Specification:

- Outer measurements (mm): 1057 x 1410
- Surface length (mm): 1300
- Water collection tray with integrated outlet
- Height adjustable range (mm): 700
- Speed, upwards mm/s: 15
- Speed, downwards mm/s: 20
- Noise level (dB): 48
- Maximum weight: 200kg
- Mains connection (V): 230
- Product voltage (V): 24
- IP Rating of Actuator (motor), Control box and Wired remote control: IPX6
- IPX6 definition: Water projected in powerful jets from a nozzle size up to 12.5mm against the product from any direction shall have no harmful effects
- Power consumption by maximum load (W): 144
- Power consumption by standby (W): 2
- Colour: Lead grey with Sapphire Blue (RAL 5003) mattress
- Materials: Powder-lacquered stainless steel, aluminium, polyurethane foam and polystyrene
- Wall fixing kit not included, see PDF downloads for more information
- This product must be wired via. a fused spur

### Declaration of conformity:

- This product is in compliance with all relevant requirements of regulation (EU) 2017/745 on medical devices
- It also complies with all relevant requirements in the Council Directive 2006/42/EC (of 17 May 2006) on machinery and the Council Directive 2011/65/EC on RoHS

### Manufacturer warranty:

- **Note:** If the product is installed in an atmosphere heavy in salt or chloride, the warranty of the nursing bench will be reduced from the normal 3 years to 1 year. Salt and chloride have a corrosive effect on the products components and will cause a decrease in the life expectancy of the product. The damaging effects can, however, be reduced if the product is showered with tap water on a daily basis.

## Additional Information

---

Manufacturer	Pressalit
Mounting	Wall
Width (mm)	1410
Adjustment	Electric Adjustable Height
Front Safety Rail	Yes
Brand / Model	Pressalit - SCT 3000
Height adjustment (mm)	700