



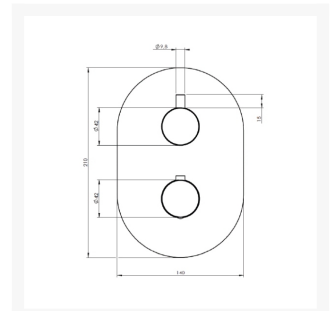
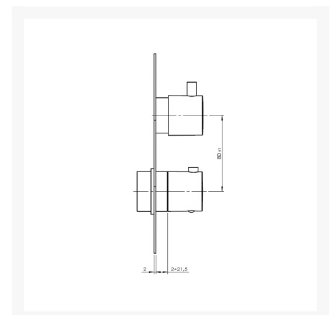
Independent 4 Life

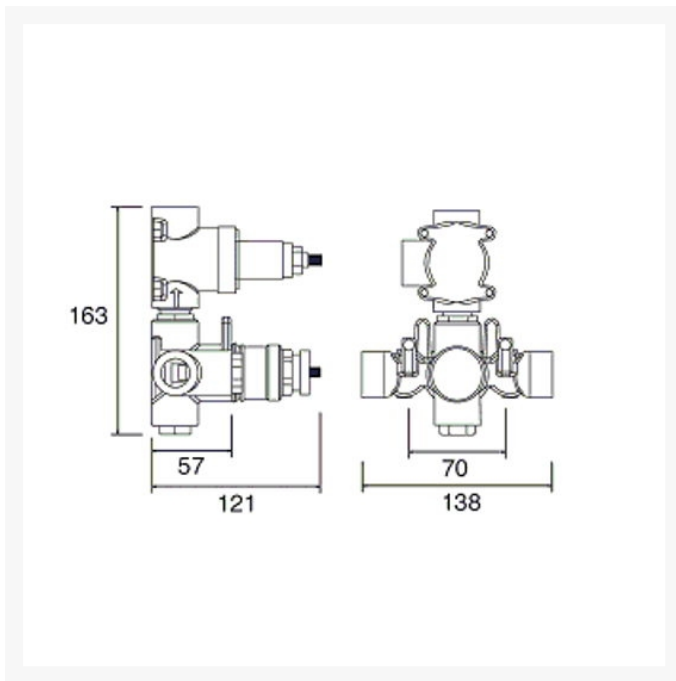
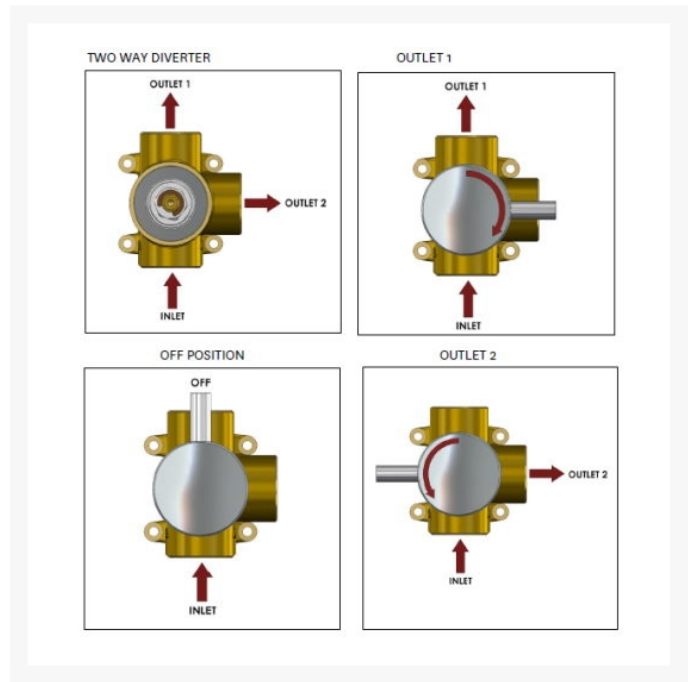
Methven KAHA 2 Direction Concealed Shower - Chrome

£361.20 Inc. VAT

Product Code: KAHA2D

Product Images





KAHA 2D						
Open Outlet Flow (Bar - l/min)						
BAR	0.3	0.5	1.0	2.0	3.0	4.0 5.0
FLOW	10.1	13.4	18.4	27.4	34.2	40.1

Description

The Methven KAHA two direction concealed thermostatic shower, with round peg controls offers you greater flexibility.

The diverter cartridge offers you a flexible showering experience, allowing you to control an overhead shower for a full drench and shower handset, if you want to keep your hair dry.

Key benefits:

- Diverter cartridge to two outlets
- Separate Flow And Temperature Controls
- Thermostatic valve with 38°C temperature hot stop (with override)

- The temperature control knob is pre-set with stop at 38°C to avoid scalding, can be adjusted at installation
- 2mm thick chromed brass concealing plate
- Front access filters - No need to disconnect shower from water supply during maintenance
- Designed to fit in a cavity depth from 65mm to 85mm
- Concealed shower spindle extension available (please contact us)

Technical details:

- Cover plate overall height (mm): 210
- Cover plate overall width (mm): 140
- Round operating controls, with pegs (mm): 42 dia.
- Cartridge: Thermostatic
- Valve type: Ceramic discs
- Inlet connections: $\frac{1}{2}$ " BSP
- 2x Outlets: $\frac{1}{2}$ " BSP
- Suitable for all pressures
- Min. operating pressure: 0.2bar
- Max. flow pressure (Hot ~& Cold): 5.0 bar
- Max. Static pressure: 10.0 bar
- Min. inlet temperature: 5°C
- Max. hot temperature: 65°C
- Construction: Brass, chrome finish

Approvals:

- TMV2 approved

Warranty:

- 5-year warranty subject to terms and conditions

Note:

- The required overhead drencher and hand shower/rail kit are not included
- This is a controller only

Additional Information

Manufacturer	Methven
Shower Type	Direct Fed (Mixer)
Shower Features	Thermostatic Mixers, Shower Valves with Diverters, Dual Shower Systems
Fixings	Concealed
Control	Manual Dial
Water Pressure	Low, Normal Mains, High Pressure Systems
Technologies	Thermostatic Control, Temperature Control Lever, Ceramic Disc, Dual Flow
Approvals	TMV2 (Domestic Sector)