



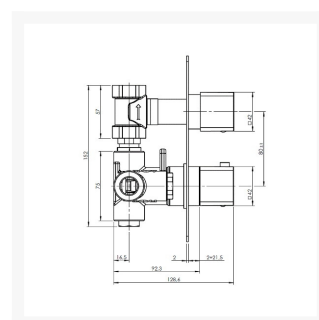
Independent 4 Life

Methven KIRI 1 Direction Concealed Shower - Chrome

£313.00 Inc. VAT

Product Code: KIRI1D

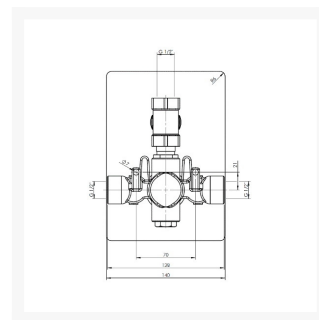
Product Images



KIRI 1D

Open Outlet Flow (Bar - l/min)

BAR	0.2	0.5	1.0	2.0	3.0	4.0	5.0
FLOW	10	12	18.4	36.7	55.1	73.5	91.9





Description

The Methven KIRI one direction concealed thermostatic shower, with round peg controls offers you greater flexibility.

Single outlet cartridge, choose from fitting either an overhead shower for a full drench or a shower handset.

Key benefits:

- One outlet
- Separate Flow And Temperature Controls
- Thermostatic valve with 38°C temperature hot stop (with override)
- The temperature control knob is pre-set with stop at 38°C to avoid scalding, can be adjusted at installation
- 2mm thick chromed brass concealing plate
- Front access filters - No need to disconnect shower from water supply during maintenance
- Designed to fit in a cavity depth from 65mm to 85mm
- Concealed shower spindle extension available (please contact us)

Technical details:

- Cover plate overall height (mm): 210
- Cover plate overall width (mm): 140
- Round operating controls, with pegs (mm): 42 dia.
- Cartridge: Thermostatic
- Valve type: Ceramic discs
- Inlet connection: $\frac{1}{2}$ " BSP
- 1x Outlet: $\frac{1}{2}$ " BSP
- Suitable for all pressures
- Min. operating pressure: 0.2bar
- Max. flow pressure (Hot ~& Cold): 5.0 bar
- Max. Static pressure: 10.0 bar

- Min. inlet temperature: 5°C
- Max. hot temperature: 65°C
- Construction: Brass, chrome finish

Approvals:

- TMV2 approved
- WRAS approved

Warranty:

- 5-year warranty subject to terms and conditions

Note:

- The required overhead drencher or hand shower/rail kit are not included
- This is a controller only

Additional Information

Manufacturer	Methven
Shower Type	Direct Fed (Mixer)
Shower Features	Thermostatic Mixers
Fixings	Concealed
Control	Manual Lever, Manual Dial
Water Pressure	Low, Normal Mains, High Pressure Systems
Technologies	Thermostatic Control, Temperature Control Lever, Ceramic Disc
Approvals	WRAS Approved, TMV2 (Domestic Sector)