



Independent 4 Life

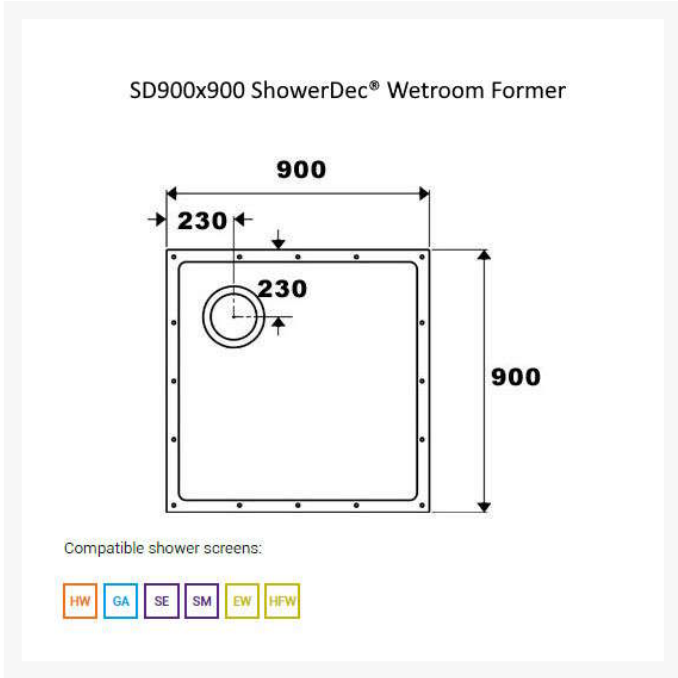
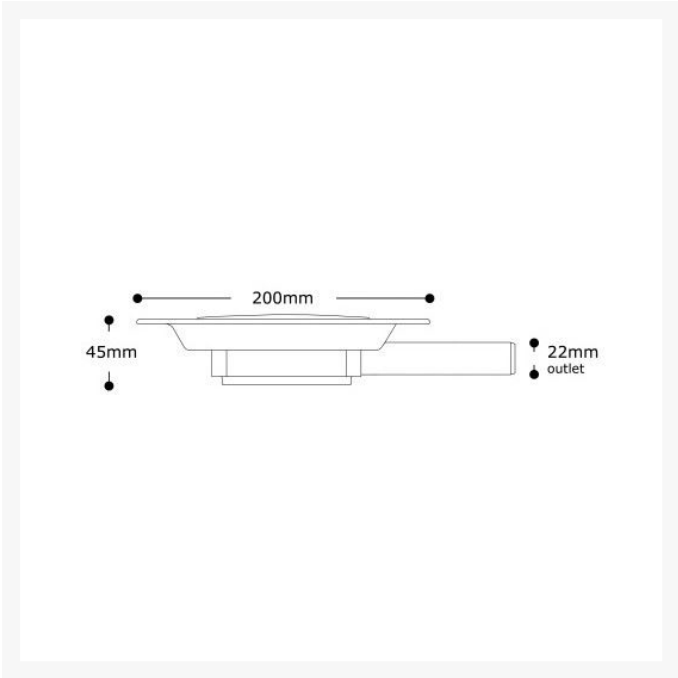
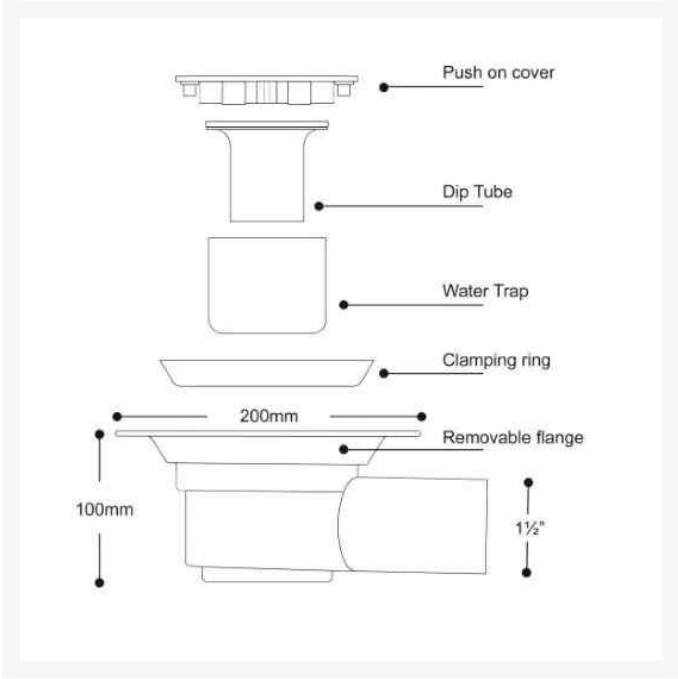
# AKW / Contour ShowerDec Wet Room Floor Former - Choice of Size & Optional Waste

£212.51 Inc. VAT

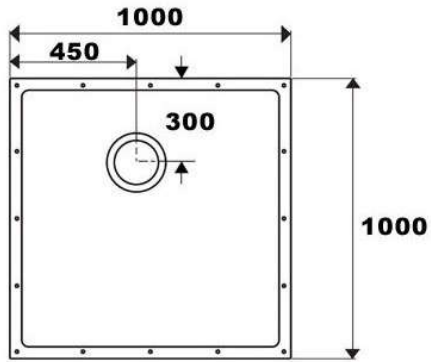
Product Code: SHOWERDEC

## Product Images





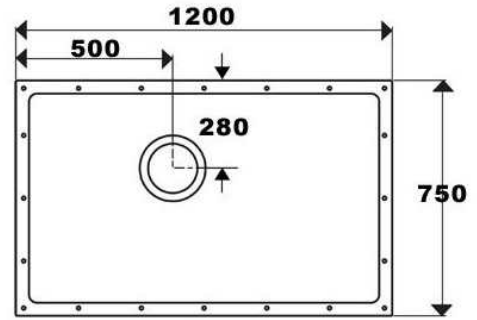
SD1000x1000 ShowerDec® Wetroom Former



Compatible shower screens:



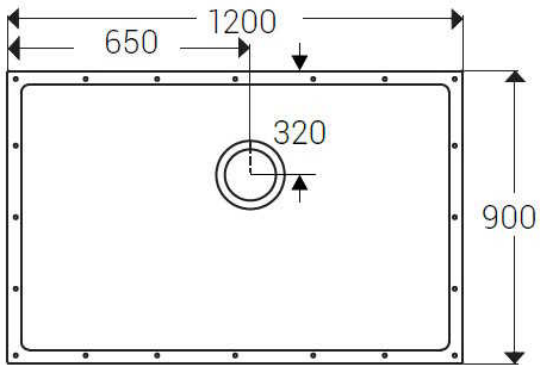
SD1200x750 ShowerDec® Wetroom Former



Compatible shower screens:



SD1200x900 ShowerDec® Wetroom Former



Compatible shower screens:



## Product Options

---

Floor Former Size (mm)	Price Inc. VAT
900x900	£212.51
1000x1000	£212.51
1200x750	£212.51
1200x900	£212.51
1200x1200	£231.86
1300x800	£212.51
1400x900	£212.51
1500x820	£212.51
1500x1000	£231.86
1500x1200	£231.86
1800x820	£231.86
1800x900	£231.86

## Additional Options

---

<b>Optional waste</b>	Waste not required	£0.00
	CTW01 Gravity Waste	£40.33
	CUW01 Pumped Waste	£40.33

## Description

---

The AKW / Contour ShowerDec is an extremely strong floor former for creating level access wet rooms.

Easy to install, it is suitable for timber or screeded floors, and can be rotated and cut to size on site if required.

### Key benefits:

- Creates a complete level access wet room shower area once completed with vinyl flooring or tiled flooring when a tanking kit is also used

- Exceptionally strong design - FEA tested to withstand weights of 635kg (100 stone)
- Suitable for timber or screeded floors
- Compatible for underfloor heating
- 40mm flat area around the perimeter to allow for flush installation of shower doors
- Excellent built-in falls - approx. 2-2.5% built into the top surface (best in class)
- Optional gravity or pumped waste (pumps available separately)

**Installation:**

- Unhanded with offset waste position to avoid joists
- Textured top surface allows excellent adhesion of vinyl flooring
- Pre-formed semi-drilled fixing points
- Easily cut to size onsite using a circular saw or jigsaw
- Circular ribbed underside eliminates slippage when installing in concrete or screed

**Choice of size:**

- Please select as required

**Optional Wastes:**

- Contour CTW01 gravity waste
- Contour CUW01 pumped waste

**Technical details:**

- Thickness (mm): 24
- Load capacity (kg): 635
- Materials: GRP

**Warranty:**

- Lifetime manufacturer guarantee

**Manufacturer product codes:**

- SD900x900, SD1000x1000, SD1200x750, SD1200x900, SD1200x1200, SD1300x800, SD1400x900, SD1500x820, SD1500x1000, SD1500x1200, SD1800x820, SD1800x900

## Additional Information

---

Manufacturer	AKW / Contour
Brand / Model	AKW / Contour - ShowerDec
Size (mm)	900x900, 1000x1000, 1200x750, 1200x900, 1200x1200, 1300x800, 1400x900, 1500x820, 1500x1000, 1500x1200, 1800x820, 1800x900
Floor Former Thickness (mm)	24
Waste Option / Floor Finish	Contour CTW01 Gravity - Vinyl, Contour CUW01 Pumped - Vinyl
For Floor Finish	Vinyl Flooring, Tiled Flooring
Optional Waste Type	Gravity Waste, Pumped Waste
Flow Rate / l/min	26