



Independent 4 Life

£722.15 Inc. VAT

Maxxus Linear Former, 10m² Liquid Tanking Kit, Purus Linear Drain, Twist Grid - Choice of Size

Product Code: 68219-xx/TSS

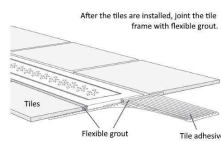
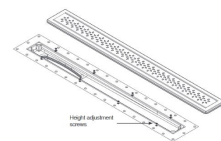
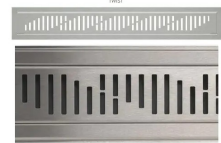
Product Images



Choice of Purus Waste, with Nood Trap:



Grid: Stainless Steel Twist Grid and Frame






Side and Parallel Outlet - NOOD Trap




Low Side Outlet - NOOD Trap

Waste Options:

52mm  Low Side Outlet

105mm  End Parallel Outlet
55mm

105mm  Side Outlet

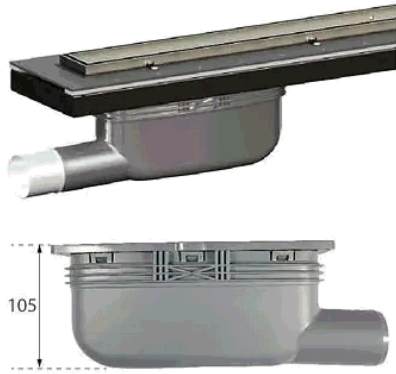
LOW 52mm - 32 l/min



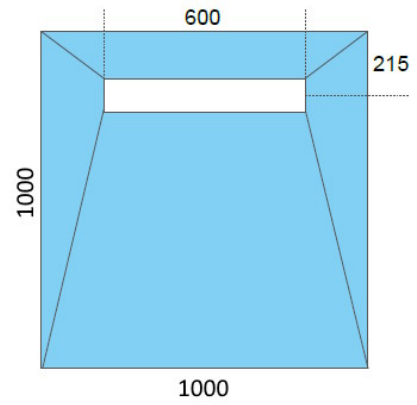
SIDE 105mm - 72 l/min



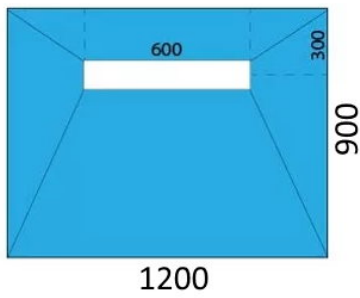
END PARALLEL 105mm - 72 l/min



6821983
1000 x 1000 x 22mm



6821988 - Wide
1200 x 900 x 22mm



Product Options

Floor Former Size (mm)	Price Inc. VAT
1000x1000	£736.79
1200x900 (Wide)	£722.15
1200x900 (Long)	£722.15
1200x1200	£722.15
1400x900	£758.23
1500x900	£722.15
1500x1200	£853.57
1600x900	£818.62
1800x900	£817.49

Additional Options

Purus drain outlet / Depth (mm)		
	Low horizontal side outlet - 52mm Depth	£0.00
	Horizontal side outlet - 105mm Depth	£0.00
	Horizontal end parallel outlet - 105mm Depth	£0.00

Description

Maxxus linear shower deck kit with a liquid, paint on tanking kit covering 7 to 10m² and a Purus Living linear drain, for tiled floors only.

Available in a range of sizes, the drain can also be customised with a choice of outlet type and a stainless steel removable Twist design grid.

Key benefits:

- For tiled flooring
- Suitable for timber and concrete floors
- Strong and durable base yet only 22 or 24mm thick - refer to plan drawings for information
- Vacuum formed GRP
- Made from 50% recycled materials and is 100% recyclable
- Solid right through - no pockets or hollow cavities
- Creates a level access floor with no step

- Built in gradients for water removal to the waste
- Accepts 470kg (75 stone) loading over 400mm joist centres
- Self-supporting - no requirement for additional support underneath
- May be trimmed down to any size
- Removable sprung NOOD water trap
- The NOOD no-odour water trap which will not allow any foul air to escape even if the gully dries out
- Stainless steel - removable Twist design grid
- Suitable for underfloor heating
- Choice of size

Installation:

- Fast former installation - laid straight on joists no under boarding needed
- Totally flat underside and recessed screw holes allow for easy fixing
- Easy to use paint on system
- Ready to use, no mixing required
- Dries into a flexible sheet membrane

Kit contents:

- 1x Purus Living Linear drain with a choice of outlets (see below)
- 1x Linear drain gasket
- 1x 8kg paint on tanking system, covers 7 to 10m² in two coats
- 1x 1 litre primer for porous surfaces
- 1x 10m tape for wall/floor joints and other gaps
- 2x Internal corners
- 2x Pipe collars
- 1x 75mm brush

Includes Purus Living linear drain, choice of 3x outlets types each with a Purus NOOD trap:

- 600mm or 800mm lengths depending on the floor former size
- Stainless steel - removable Twist design grid
- Plastic-bodied unit
- Choice of three gully outlets each with a ABS pipe reducer 2" to 1½" (50mm to 40mm):
- - Low Side Outlet with 32 ltr/min flow rate - depth (mm): 52
- - End Parallel Outlet with 72 ltr/min flow rate - depth (mm): 105
- - Side Outlet with 72 ltr/min flow rate - depth (mm): 105
- Please as required
- Note: Download the correct PDF installation instructions, based on the linear drain length

Warranty:

- Maxxus floor formers come with a 25 year manufacturer guarantee

Manufacturer product codes:

- Twist Grid: 6821983/TSS, 6821988/TSS, 6821984/TSS, 6821987/TSS, 6821985/TSS, 6821989/TSS, 6821981/TSS, 6821986/TSS, 6821982/TSS

Additional Information

Manufacturer	Maxxus
Brand / Model	Maxxus
Size (mm)	1000x1000, 1200x900 (Wide), 1200x900 (Long), 1200x1200, 1400x900, 1500x900, 1500x1200, 1600x900, 1800x900
Floor Former Thickness (mm)	22
Waste Option / Floor Finish	Purus Linear 52mm Low Side Outlet - Tiled, Purus Linear 105mm Side Outlet - Tiled, Purus Linear 105mm End Parallel Outlet - Tiled
For Floor Finish	Tiled Flooring
Optional Waste Type	Gravity Waste
Flow Rate / l/min	32, 72