



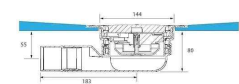
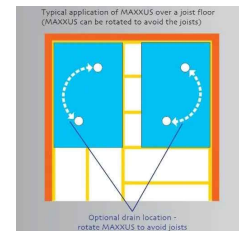
Independent 4 Life

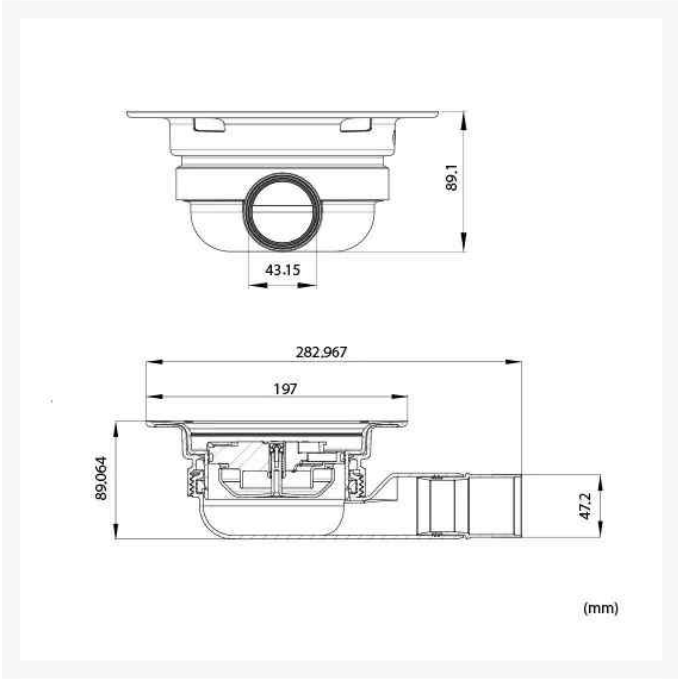
Maxxus Former, Micro Cement/Resin Floors, Purus 2-part Waste - Choice of Size & Grid

£456.64 Inc. VAT

Product Code: MC

Product Images





Satin Stainless

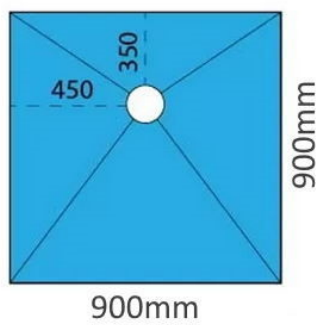


Gold



MC934

900 x 900 x 22mm



Product Options

Floor Former Size (mm)	Price Inc. VAT
900x900	£456.64
1000x1000	£456.64
1135x770	£456.64
1200x800	£456.64
1200x900	£456.64
1200x1200	£456.64
1300x800	£456.64
1400x900	£456.64
1450x1150	£494.08
1500x800	£456.64
1650x900	£587.45
1800x800	£608.08

Additional Options

Micro cement grid / Finish	Anodised Alu. / Brushed Black Finish	£0.00
	Anodised Alu. / Brushed Grey Finish	£0.00
	304 Grade / Brushed Stainless Steel	£0.00
	304 Grade Stainless Steel / Satin Finish	£0.00
	304 Grade Stainless Steel / Gold Plated Finish	£26.00

Description

The Maxxus is a strong 22mm thick wet room floor former tray suitable for wooden and concrete floors is incredibly strong, this version is designed for use with Micro Cement.

With an offset waste and totally flat underside, the Maxxus is easy to install with the Purus 2-part Minimax waste, with a choice of grids for microcement or resin floor finishes.

Key benefits:

- Micro cement or resin floor finishes
- Suitable for timber and concrete floors
- Strong and durable base yet only 22mm thick
- Vacuum formed GRP
- Made from 50% recycled materials and is 100% recyclable
- Solid right through - no pockets or hollow cavities
- Creates a level access floor with no step
- Built in gradients for water removal to the waste
- Accepts 470kg (75 stone) loading over 400mm joist centres
- Self-supporting - no requirement for additional support underneath
- May be trimmed down to any size
- Purus 2-part Minimax waste, projects only 80mm below Maxxus deck
- Choice of size

Installation:

- Totally flat underside and recessed screw holes allow for easy fixing
- Simple rotate to place the drain hole in the ideal position
- No release agents to inhibit bonding of the microcement or resin floor finishes

Purus Minimax 2-part waste:

- Gravity or Pumped - Horizontal wet floor waste gulley with NOOD (no-odour) water trap
- The Minimax waste projects only 80mm below Maxxus deck
- Spring loaded Nood no-odour trap
- 47 Litres/minute flow rate
- The 130mm dia. plastic grid is replaced by the microcement grid

Choice of Grid for microcement or resin floors:

- Standard: Manufactured from high grade anodised aluminium - Black or Grey finishes
- Standard: Manufactured from 304 Grade stainless steel - Brushed or Satin finishes
- Upgrade: Manufactured from 304 Grade stainless steel with Gold plated finish
- Creates a 3mm upstand
- Grid can be flipped for microcement insert or normal grid finish
- Designed and manufactured by Wetroom Innovations Ltd

Warranty:

- 25 year manufacturer guarantee

Manufacturer product codes:

- MC934, MC930, MC931, MC941, MC929, MC936, MC932, MC935, MC1411, MC933, MC942, MC1808

Additional Information

Manufacturer	Maxxus
Brand / Model	Maxxus
Size (mm)	900x900, 1000x1000, 1135x770, 1200x800, 1200x900, 1200x1200, 1300x800, 1400x900, 1450x1150, 1500x800, 1650x900, 1800x800
Floor Former Thickness (mm)	22
Waste Option / Floor Finish	Purus Minimax 2-part Gravity / Pumped - Micro Cement
For Floor Finish	Micro Cement, Resin Floors
Optional Waste Type	Gravity Waste, Pumped Waste
Flow Rate / l/min	47