



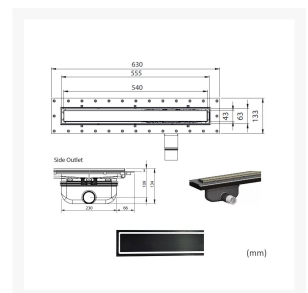
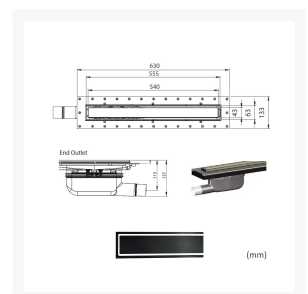
Independent 4 Life

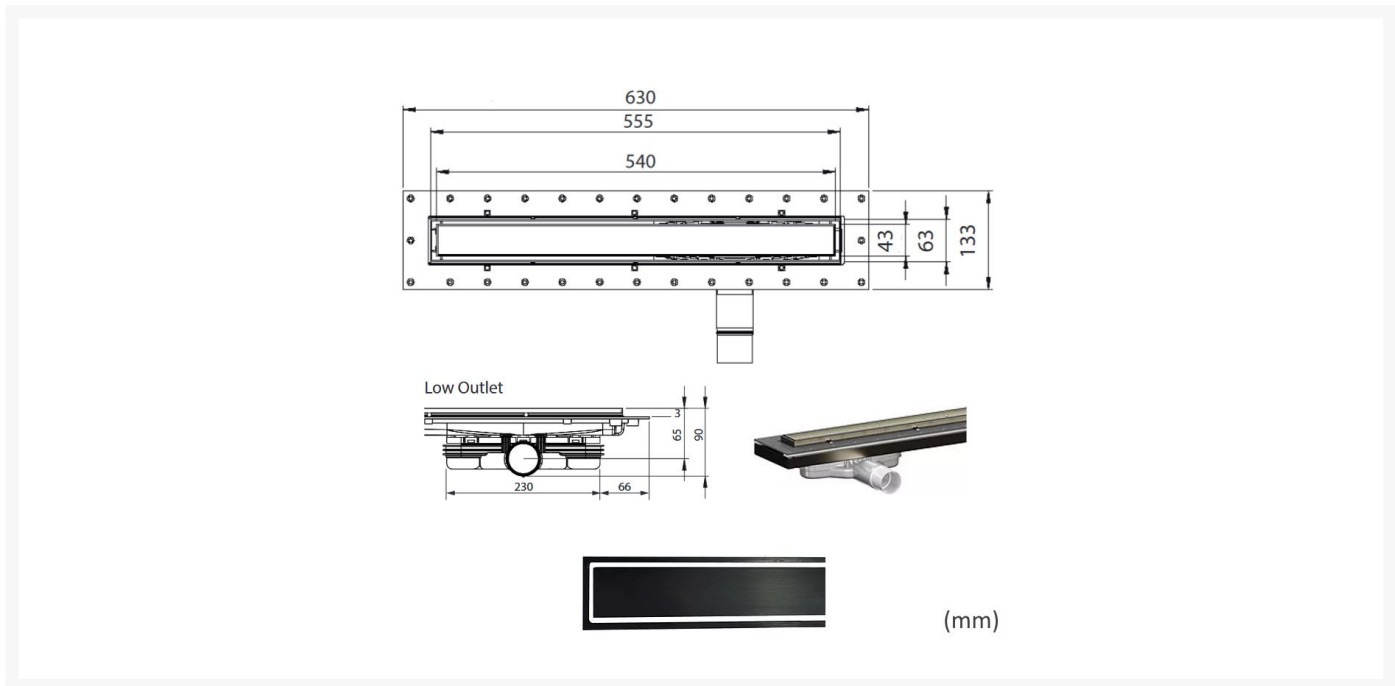
# Purus Living 600mm Linear Drain, Micro Cement, Brushed Black Grate - Outlet Choice

£411.17 Inc. VAT

Product Code: MC737-9B

## Product Images





## Product Options

Waste Outlet / Depth (mm)	Price Inc. VAT
Horizontal - 52mm Low Side	£411.17
Horizontal - 105mm Side	£411.17
Horizontal - 105mm Side Side (End Parallel)	£411.17

## Description

Adapted Purus 630mm Living linear channel drain for wet rooms with micro cement or resin flooring, by Wetroom Innovations.

Designed for use with concrete / screed floors and timber floors. Also available in a kit form with the Maxxus Linear floor former (See Product Code: MC984-89).

### Key benefits:

- 630mm length linear channel drain
- PP - bodied unit
- Removable sprung NOOD water trap
- The NOOD no-odour water trap which will not allow any foul air to escape even if the gully dries out
- Black brushed aluminium grate
- The grate when installed should be flush with the micro cement floor finish
- Includes tanking collar
- Includes joist installation kit

- Includes 2 x support legs for screed floors

#### **Technical details:**

- Overall length (mm): 630
- Overall width (mm): 133
- Grate length (mm): 555
- Grate width (mm): 63
- Upstand depth for micro cement / resin floor finish (mm): 3
- Grate loading: Class K 3 (300 kg)

#### **Waste options:**

- Choice of three NOOD water trap outlets each with a push-fit ABS pipe reducer 2" to 1½" (50mm to 40mm):
- Product Code: MC739B - Low Side Outlet, 32 Ltr/min flow rate - Waste depth / Overall (mm): 52 / 73
- Product Code: MC737B - Side Outlet, 72 Ltr/min flow rate - Waste depth / Overall (mm): 105 / 126
- Product Code: MC738B - Side Side (End Parallel) Outlet, 72 Ltr/min flow rate - Waste depth / Overall (mm): 105 / 126
- Please select as desired

#### **Installation Guidance:**

- The minimum gradient should be 1:150 to ensure the flow of water to the floor trap and no more than 1:50 to reduce the risk of slipping
- A nominal 2% falls is usually used
- Do not install the product on a raised platform. It is designed only to be installed level with the surrounding floor

#### **Concrete / Screed Floor Installation:**

- Build falls to the gully with screed so water can run into it
- Supplied with 2 x plastic concrete supports, for setting the gully height and level prior to casting the concrete screed
- The Concrete supports have a min. height of 88mm and a max height of 195mm with a distance case at 50mm
- Refer to the PDF download installation instructions for more information

#### **Timber Floor Installation:**

- Check the level of the joists and floorboards prior to installation of the tray and marine ply. They must be flat and level
- The joists and floor must be made sound and secure according to BS 5268 and for BS 6178 if using joist hangers
- Noggins or structural supports need to be added to the joists. These are required to add extra support for the tray and the channel around its perimeter
- Refer to the PDF download installation instructions for more information

#### **Warranty:**

- The design life of the Purusline Living is 25 years, as long as they are installed and used following the installation and maintenance instructions and only in use with normal shower water.

## Additional Information

---

Manufacturer	Purus
Configuration	600mm Linear Drain
Installation	Floor Formers, Concrete / Screed Floors, Timber Floors
Application	Floor Former, Screed Floors, Timber Floors
Waste Depth / Outlet Position	105mm / Side, 52mm / Low Side, 105mm / Side Side (End Parallel)
Flow Rate / l/min	32, 72
Floor Finish	Micro Cement, Resin Flooring
Grate Material / Finish	Aluminium / Brushed Black