

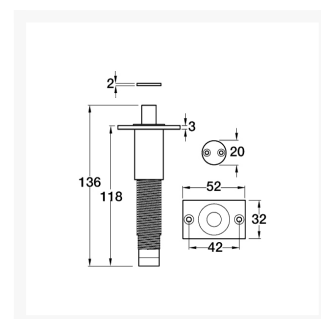


Independent 4 Life

Royde & Tucker D140 (D140-R) Hydraulic Damper unit

Product Code: D140-R

Product Images



Description

This hydraulic door damper unit is designed to control the closing speed of doors when used with rising butt hinges.

It is constructed from mild steel with a brushed stainless steel faceplate.

- 147 x 52 x 32mm - Specifically designed to control the door's closing speed when used in conjunction

with a rising butt hinge

- Particularly appropriate if the door is very heavy
- Dampens the closing action between 26° and 0° on 44mm thickness door using a RT H300 series hinge
- Adjustable power. Slaken the locking nut with 1.5mm Allen key, turn know on base of unit
- Unit is mounted in the hinge edge of the door (frame or door mounted). It should be positioned in close proximity to one of the rising butts
- 4 x 5/8" fixing screws included
- Mild steel body
- Brushed stainless steel faceplate - grade 304

Additional Information

Manufacturer	Royde & Tucker
Suitable For FD30 / FD60 Fire Doors	No